

# USER'S MANUAL

## 612UA

MP3-COMPATIBLE DIGITAL MEDIA  
AM/FM RECEIVER



**BOSS**<sup>®</sup>  
AUDIO SYSTEMS

# CONTENTS

---

Precautions.....	1
Take Precaution.....	1
Installation.....	2-3
Installation Procedures.....	2
Installation Opening.....	2
Wiring Connections.....	3
Removal of the Main Unit.....	3
Overview of the Components.....	4
Operating Instructions.....	4-5
Power On/Off.....	4
Adjust Volume (VOL).....	4
Adjust Menu Options (SEL).....	4
Manual Tuning / Auto Seek.....	4
Next/Previous Track.....	4
Fast Forward/Backward.....	4
Change the Source (SRC).....	4
Setting Time (DISP).....	5
Change Bands (BAND).....	5
Automatic Store Preset station (AMS).....	5
Select the track or file for playback in MP3 format.....	5
To Store / Recall Preset Stations.....	5
Play / Pause.....	5
Introduction Scan.....	5
Repeating the Track.....	5
Playing all tracks in random.....	5
Track/Folder Navigation.....	5
SD Card Slot.....	5
USB Connection.....	6
AUX Socket.....	6
Reset.....	6
Troubleshooting.....	7
Specifications.....	8

# PRECAUTIONS

---

## Take Precaution

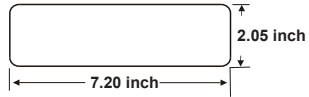
- To reduce the risk of fire, electric shock, and annoying interference, do not repair yourself. Please refer serving to qualified person.
- Some MP3/WMA files may not be playable.
- Keep lower volumes to concentrate on traffic and road conditions.
- If the battery is disconnected or discharged or changed, the preset memory will be erased and must be reprogrammed.
- Installation of unit is better at a horizontal position, or if it is at an angle, it may be not working at its best situation.
- Be sure to lower the volume before switching off the unit or the ignition key.

## Installation Procedures

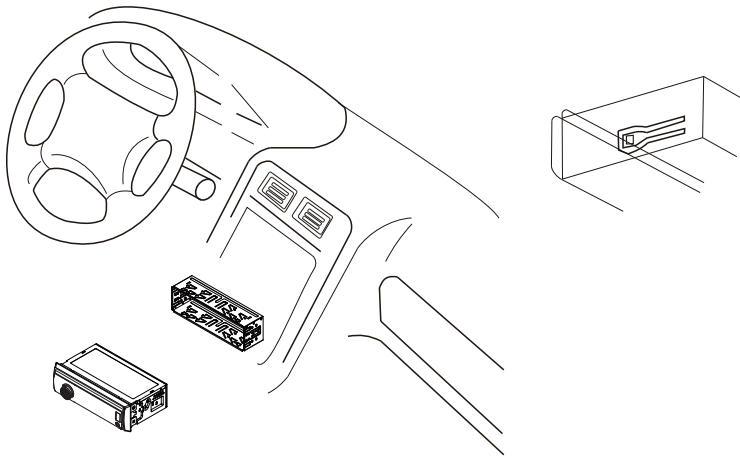
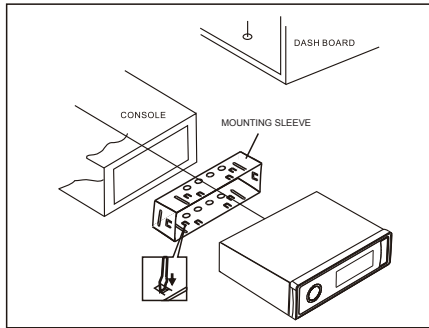
First complete the electrical connections and then check for correctness.

## Installation Opening

This unit can be installed in any dashboard Having an opening as shown below.



Insert mounting collar into the dashboard and bend the mounting tabs out with a screwdriver. Make sure that lock lever(※) is flush with the mounting collar( not projecting outward).

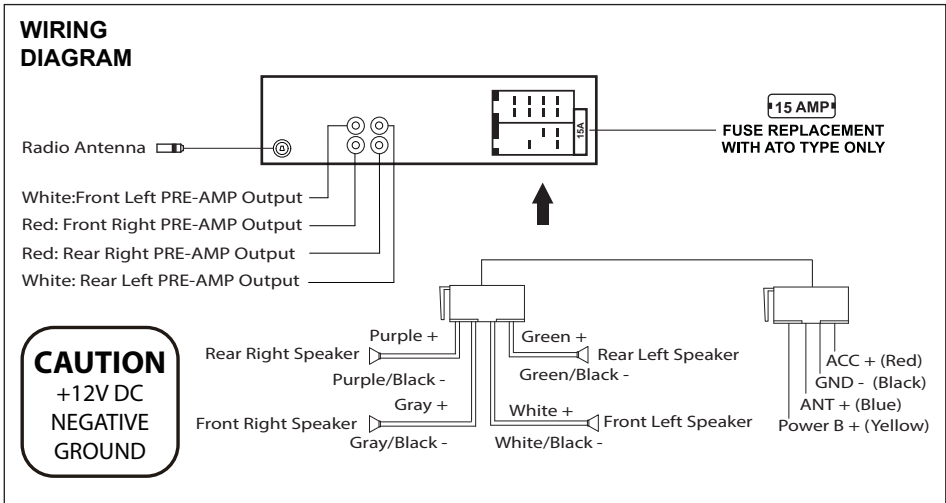


# INSTALLATION(CONT.)



- Only use speakers with 4 ohms impedance.
- The maximum current of the Amp Remote trigger is 200mA.

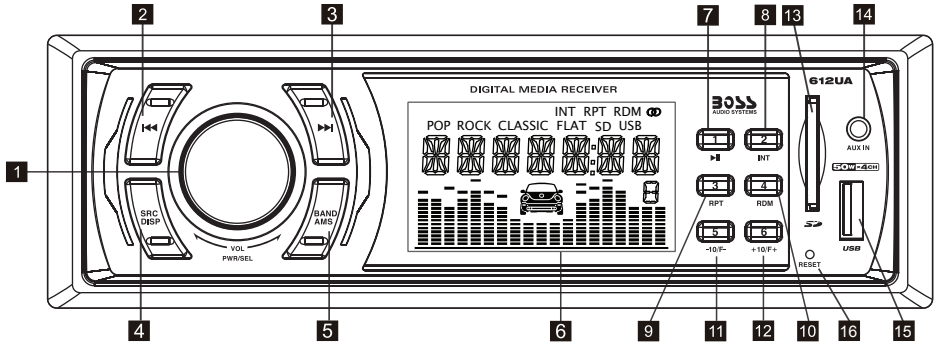
## Wiring Connections



## Removal of the Main Unit

1. Remove the plastic trim out from the main unit.
2. Insert a bracket key into the left and right side of the main unit and draw the unit out of the mounting sleeve.

# Overview of the Components



## Operating Instructions

### Turn Unit on/off (PWR)

Press any button to turn on the unit. Press and hold the VOL/PWR/SEL button to turn off the unit.

### Adjust the volume (VOL)

Rotate the VOL knob to increase or decrease the volume level.

### Adjust Menu Options (SEL)

• Press SEL button repeatedly to cycle through the following adjustable audio functions:

- BASS/TREBLE: -7, -6, ~, -1, 0, +1, ~, +6, +7
- BALANCE: L10, L9, ~, L1, 0, R1, ~, R9, R10
- FADER: R10, R9, ~, R1, 0, F1, ~, F9, F10
- EQ(Equalizer) Setting: OFF, FLAT, POP, CLASSIC, ROCK
- Loudness: LOUD ON/OFF
- DX/LOCAL: Enables or disables the local broadcast mode (LOCAL).
- Stereo/Mono: Switches between MONO and STEREO reception mode for radio frequencies.
- CLOCK 12/24: Select between 12 hours and 24 hours display.  
Note: If 12 hour display is selected, AM= Morning; PM= Afternoon
- AREA US/EU: This car radio is equipped the USA / Europe frequency.  
Rotate the volume knob to switch between USA and Europe frequency.  
The system will change the frequency setting in about 3 seconds.
- ILL MID/HI/LOW: This receiver is equipped with 3 brightness settings.  
Rotate the volume knob to preset the illumination to middle, high or low.

### Manual Tuning / Auto Seek

In the radio mode:

Press and hold the ►► or ◀◀ button to enter the manual tuning mode. In manual tuning mode, briefly press the ►► or ◀◀ button to search the next or previous frequency step by step.

Press the ►► or ◀◀ button, the automatic search will start, it will search upward or downward for the strong signal radio station within the current band. The auto searching will stop until find a station.

### Next/Previous Track; Fast Forward/Backward

In the USB or SD card mode:

Briefly press the ►► or ◀◀ button to play the next or previous track.

Press and hold the ►► or ◀◀ button to fast forward or fast backward.

### Change the Source (SRC)

Press this button to select the different modes: Radio, USB(with USB device inserted), SD(with SD card inserted) and AUX-IN(auxiliary input) modes.

# Operating Instructions

---

## Setting Time

Press and hold the **SRC/DISP** button to display time. Press the **SRC/DISP** button again, the hours digits start flashing on the display. Set hours using the **▶▶ / ◀◀** button or rotating the VOL knob. Press the **SRC/DISP** button or **SEL** button (VOL knob) again. The minute digits start flashing. Set minutes using the **▶▶ / ◀◀** button or rotating the VOL knob. Press the **SRC/DISP** button or **SEL** button (VOL knob) to confirm your settings.

## Change Bands

In radio mode, shortly press the **BAND/AMS** button to switch between the FM1(F1), FM2(F2), FM3(F3) and AM1(A1), AM2(A2) bands.

## Automatic Store Preset station (AMS)

Press and hold the **BAND/AMS** button to start the automatic station scanning. The search process can take some minutes. The stations are stored according to signal strength. Then, the saved stations are played for a short time. Press any station button to quit the operation.

## Select the track or file for playback in MP3 format

- Press and hold the **BAND/AMS** button to enter track search mode.
- Rotate the volume knob to select the number of your favorite track with high speed.
- When the desired track number appears, confirm your selection by pressing **SEL** button (VOL knob).

## To Store / Recall Preset Stations

The radio can be stored 6 preset stations for each band (FM1, FM2, FM3, AM1 and AM2) for total of 30 preset stations.

### - To memorize a station:

Press and hold one of the six preset buttons (1-6) to save a radio station.

### - To recall a preset station:

Briefly press the respective station button (1-6) to recall the corresponding preset station.

## Play / Pause

Press the **▶||** button to interrupt the playback of a music title (pause function). Press this button again to continue the playback.

## Introduction Scan

Press the **INT** button to play the first 10 seconds of all track. Press again to stop the introduction scan, and play the current track.

## Repeating the track

Press the **RPT** button to toggle between RPT ALL (Play all track), RPT ONE (Continuously repeats current track) and RPT DIR (Continuously repeats all tracks in current folder).

## Playing all tracks in random

Press the **RDM** button. A random playback of all tracks will start. Press the button again to set the normal playback.

## Track/Folder Navigation

- Press the **-10/+10** buttons to jump 10 tracks backward or forward. It is required that over 10 tracks be available on the storage medium.
- Press and hold the **F-/F+** button to select the previous or the next folder. (If there are folders on the storage medium.)

## SD Card Slot

Insert an SD card with the label to the right into the SD card slot, until it "clicks" into place. The data will be automatically played.

# Operating Instructions

---

## **USB Connection**

If you would like to playback data contained on a USB stick, please insert the stick into the USB port. The data will be played automatically.

The USB port of this car radio is also designed for charging for iPhone / android mobile phone.

The charging current consumption is 1 ampere.

## **AUX Socket**

Using this socket, it is possible to hear the sound of other playback devices such as MP3 players, CD players etc. through the car loudspeaker.

1. Please connect the external device with a 3.5 mm stereo jack plug to the AUX socket.
2. Press the SRC/DISP button repeatedly until "AUX IN" appears in the display.
3. You hear the playback from the external device via the loudspeakers. You can adjust the volume of the external device to a comfortable level with the volume control of this device.

## **Reset**

Push the RESET button with a thin object with a pointed end to reset all parameters to factory default settings. This function may be used when the LCD does not display normally or sound is distorted, or when any of controls are disabled.



# TROUBLESHOOTING

---

If you suspect something is wrong, immediately switch power off. Do not use the unit in abnormal condition, for example without sound, or with smoke or foul smell, can cause fire or electric shock.

Immediately stop using it and call the store where you purchased it. Never try to repair the unit by yourself because it is dangerous to do so.

## ■ General

**1) Car's engine switch is not on.**

Turn you car's key to ACC or ON.

**2) Cable is not correctly connected.**

Check the connection.

**3) Fuse is burnt.**

Replace fuse.

**4) Volume is in mute or minimum.**

Check volume or mute on/off, adjust volume to a desired level.

**5) Sound skips.**

The installation angle is more than 30°. Adjust the installation angle less than 30°.

**6) The operation keys do not work.**

The built-in micro- computer is not operating properly due to noise. Press the RESET button to restore the program to zero.

## ■ Radio

**1) Much noise in broadcasts.**

Station or signal is too weak. Select other stations of stronger signal level.

**2) The antenna cable is not connected.**

Insert the antenna cable firmly into the antenna socket of this car radio.

**3) Preset station is reset.**

Battery cable is not correctly connected. Connect the battery cable to the terminal that is always live.

## ■ USB/SD

**USB or SD card is connecting but no sound**

a) USB or SD card connection is not good. Take it out and insert again.

b) USB or SD card is damaged or no music file inside. Change to another USB or SD card, or record music inside it.

# SPECIFICATIONS

---

## General

Power supply Requirement :	DC 12V
Maximum power output :	50W X 4CH
Speaker impedance :	4 - 8 Ohm
Unit Dimensions(WxHxD) :	7.0 X 2.0 X 3.8 inch
Weight :	1.54 Lb (0.7 kg)
Fuse :	15 A

## RADIO

### FM

Frequency Range USA / EUROPE:	87.5 MHz - 107.9 MHz / 87.5 MHz - 108.0MHz
Channel step:	200 KHz / 50 KHz

### AM

Frequency Range USA / EUROPE:	530 KHz - 1710 KHz / 522-1620 KHz
Channel step:	10 KHz / 9 KHz

## USB/Card

Usable Audio Formats	MP3/WMA
USB Port Type	2.0
USB Charging	5V/1A
Card Type	SD Card
Pre-amp Output	Front and Rear
Frequency Response	20 Hz - 20 KHz
S/N Ratio	60dB

# USER'S MANUAL

612UA

MP3-COMPATIBLE DIGITAL MEDIA AM/FM RECEIVER



BOSS Audio Systems

3451 Lunar Court • Oxnard, CA 93030

[www.bosssaudio.com](http://www.bosssaudio.com)

800-999-1236 US Toll-free

805-751-4853 Customer Service

tech support: [www.bosssaudio.com/support/technical-support](http://www.bosssaudio.com/support/technical-support)



0617

iPod® / iPhone® are trademarks of Apple, Inc. registered in the U.S. and other countries.  
BOSS Audio Systems is not affiliated with Apple, Inc.