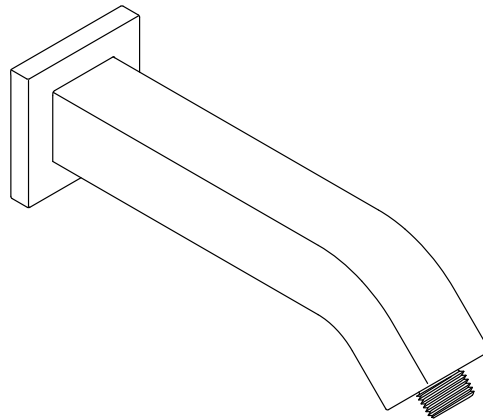


## Features

- Fluid design lines for ease of cleaning
- For use with any KOHLER showerhead (sold separately)
- Metal construction

## Installation

- Slip-fit connection

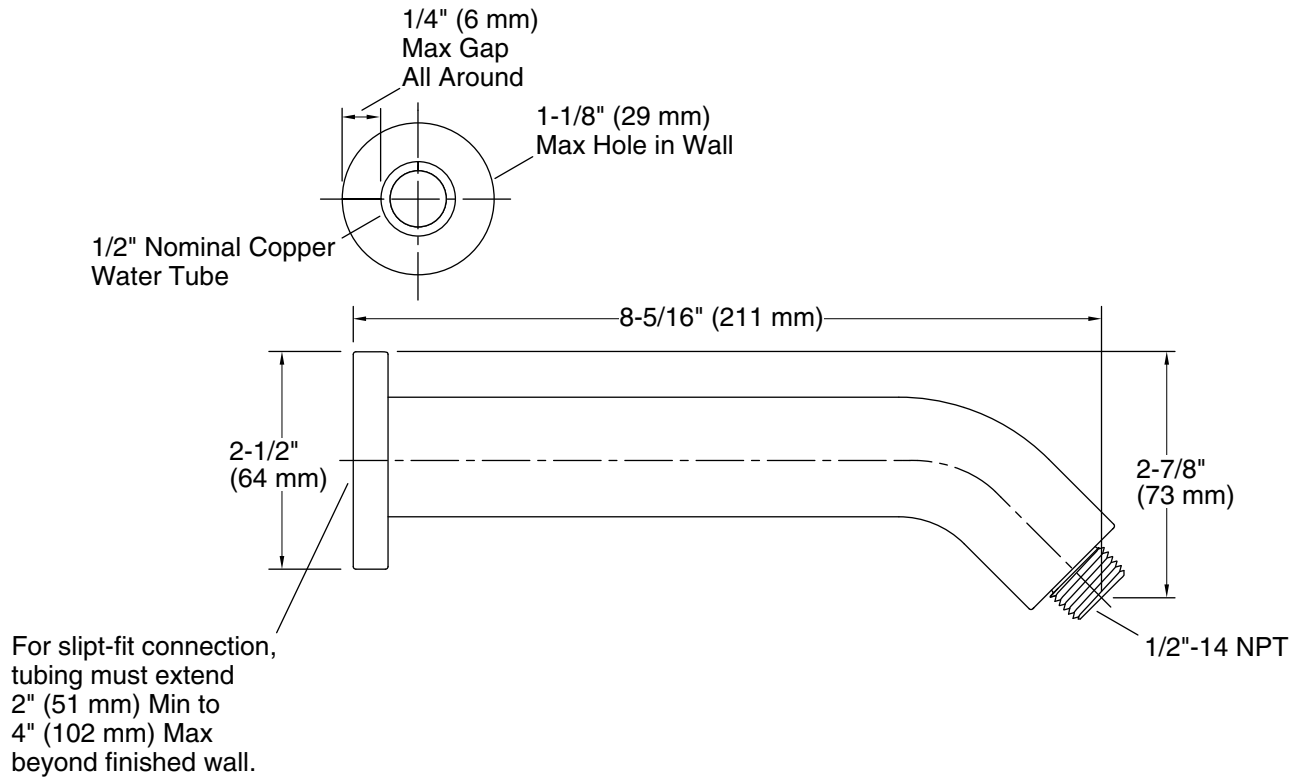


## Codes/Standards

ASME A112.18.1/CSA B125.1

## KOHLER® Faucet Lifetime Limited Warranty

See website for detailed warranty information.



## Technical Information

All product dimensions are nominal.

### Spout:

## Notes

Install this product according to the installation guide.

Product installs using a slip-fit connection to a 1/2" nominal copper tubing.