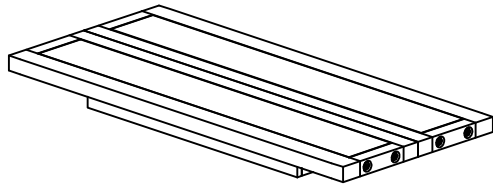


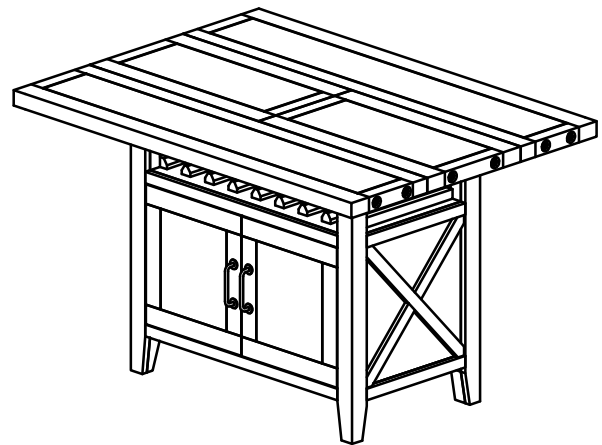
YOSEMITE CANTINA TABLE ASSEMBLY INSTRUCTIONS



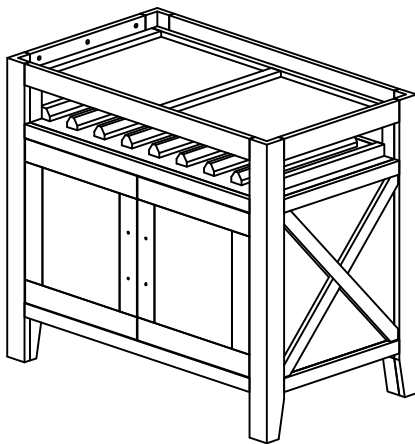
BOX#1:
A. TABLE TOP 1PC
*TABLE HARDWARE KIT



YOSEMITE CANTINA TABLE ASSEMBLED



BOX#2:
B. TABLE BASE 1PC

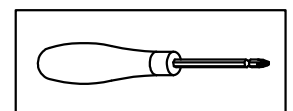


HARDWARE PACKED IN BOX #1

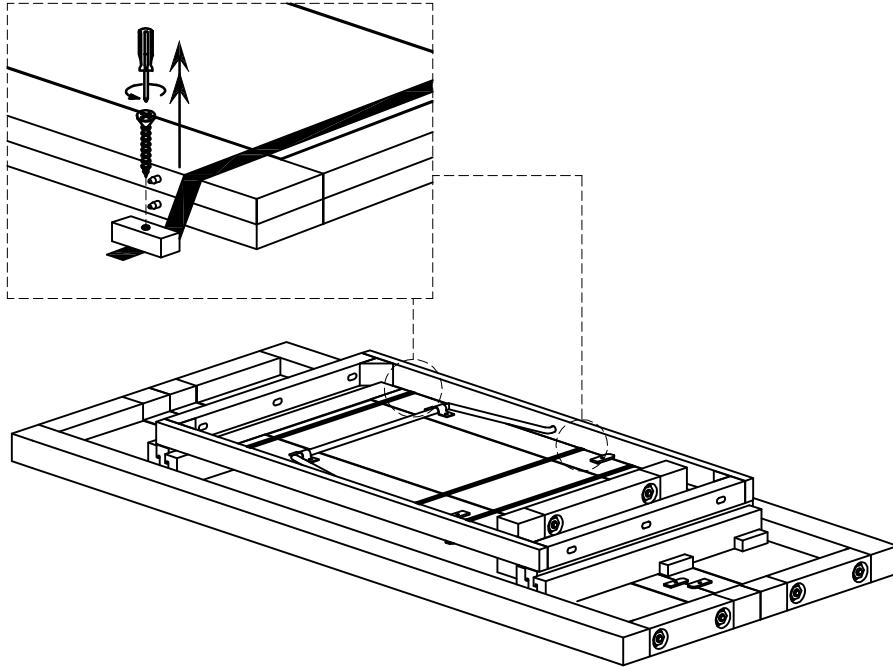
1	ALLEN BOLT M8 x 50	06 PCS	2	WASHER M8	06 PCS	3	SPRING WASHER M9	06 PC
4	ALLEN KEY	01 PC	5	DOOR HANDLE [ATTACHED TO TABLE BASE]	04 PCS	6	PHILIPS HEAD BOLT (M4X30) [ATTACHED TO TABLE BASE]	08 PC

TOOL REQUIRED

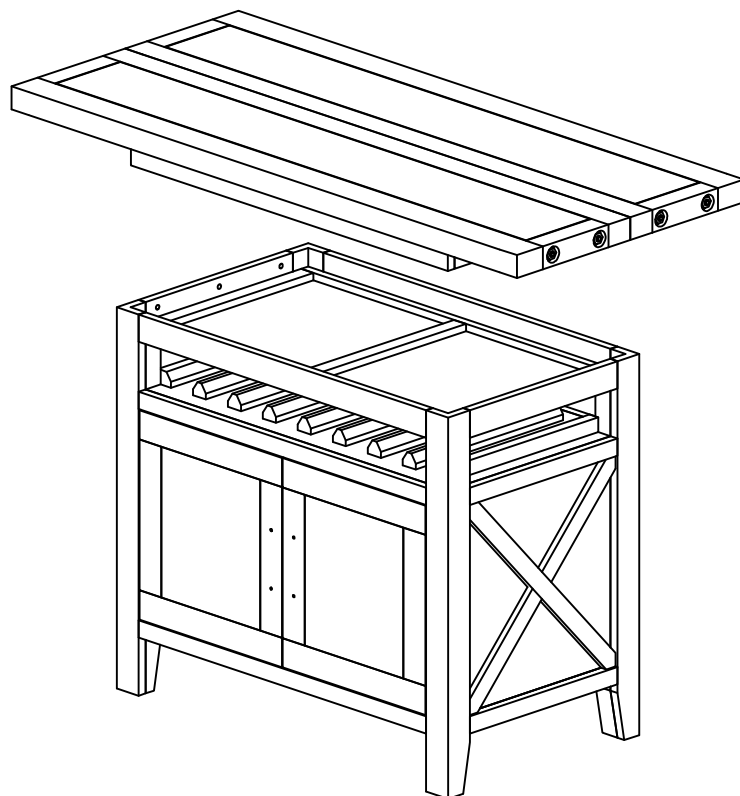
PHILLIPS HEAD SCREW
DRIVER NOT PROVIDED



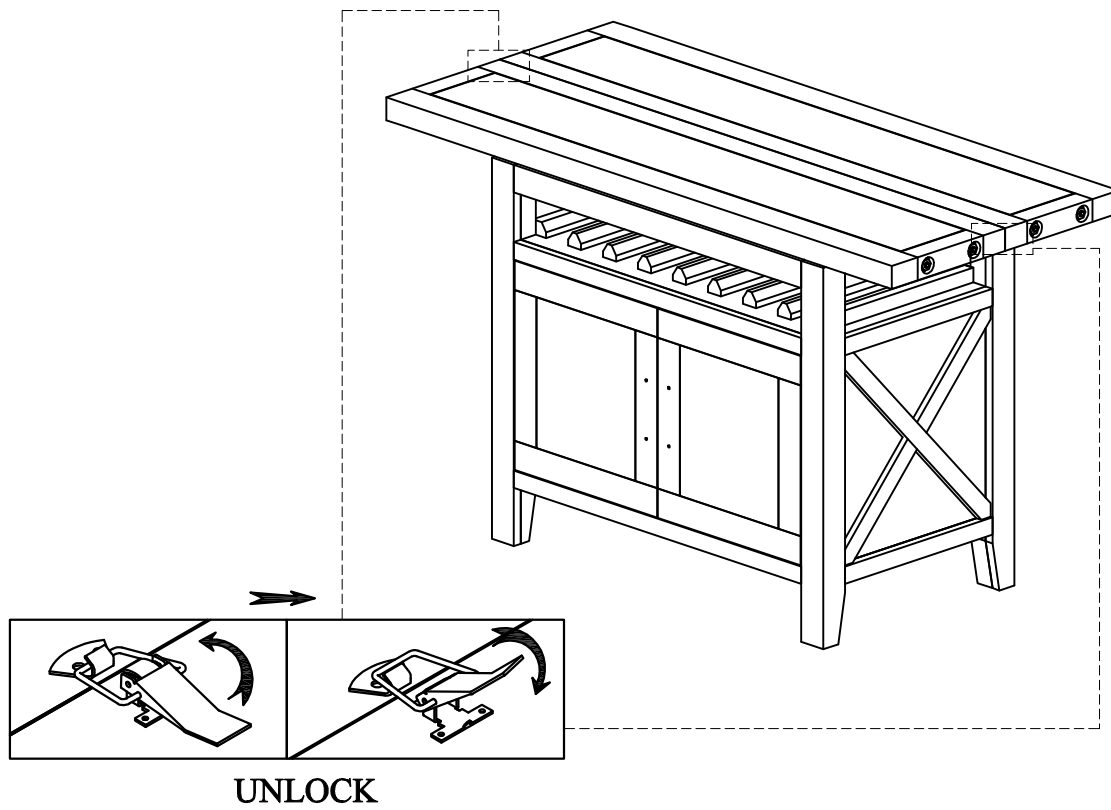
STOP! BEFORE ASSEMBLING TABLE, FOLLOW ILLUSTRATION BELOW TO REMOVE LEAF CONTAINMENT BLOCKS.



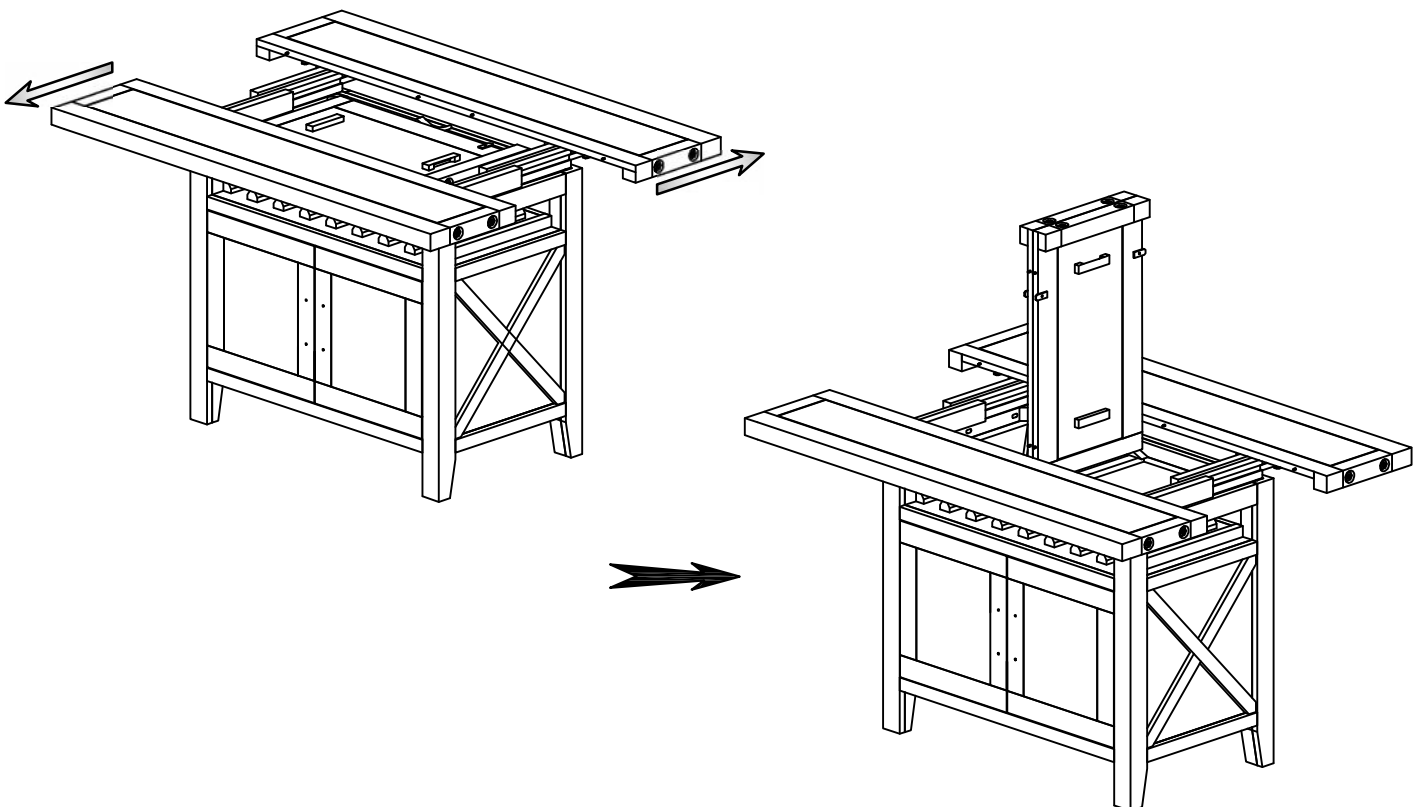
STEP 1:



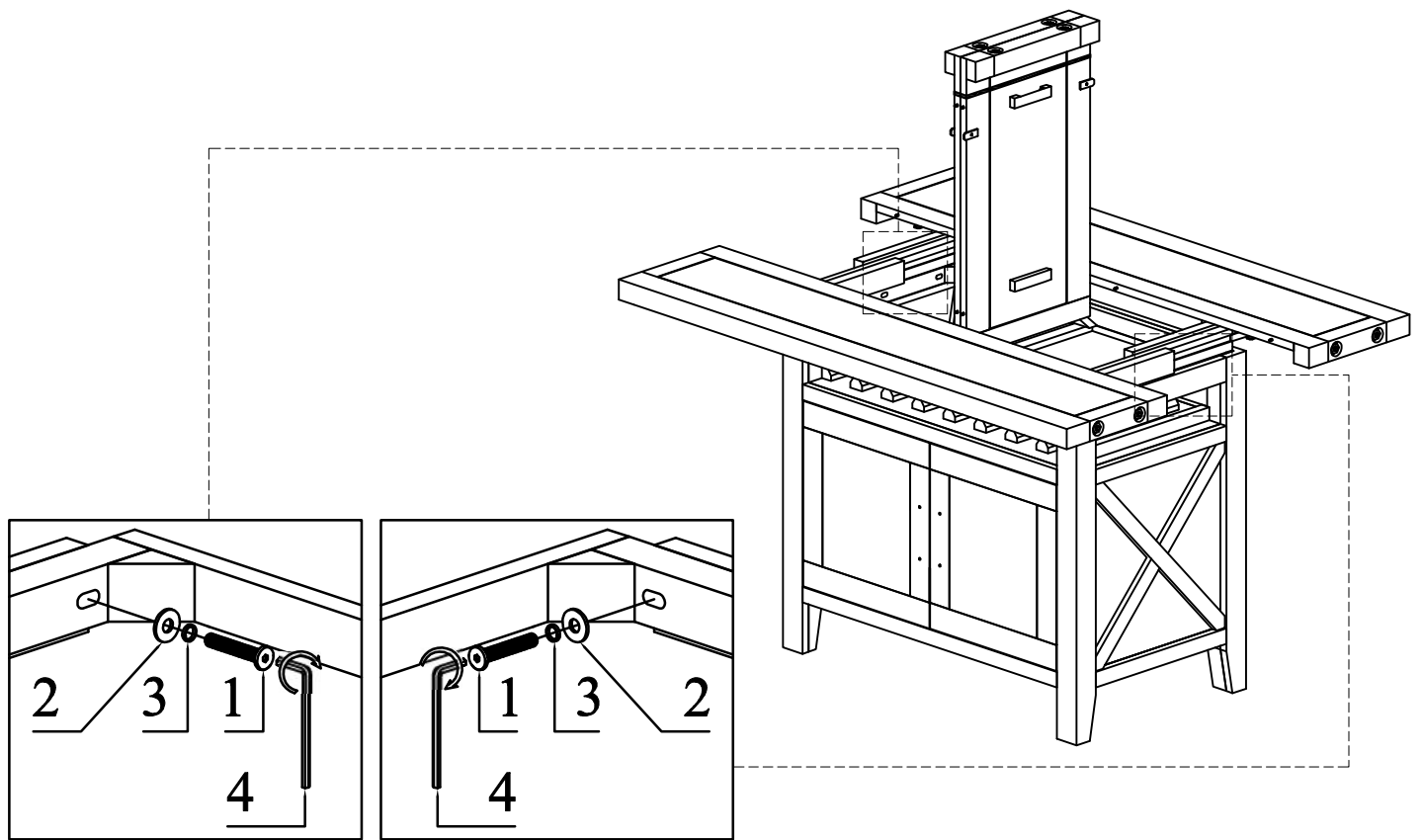
STEP 2:



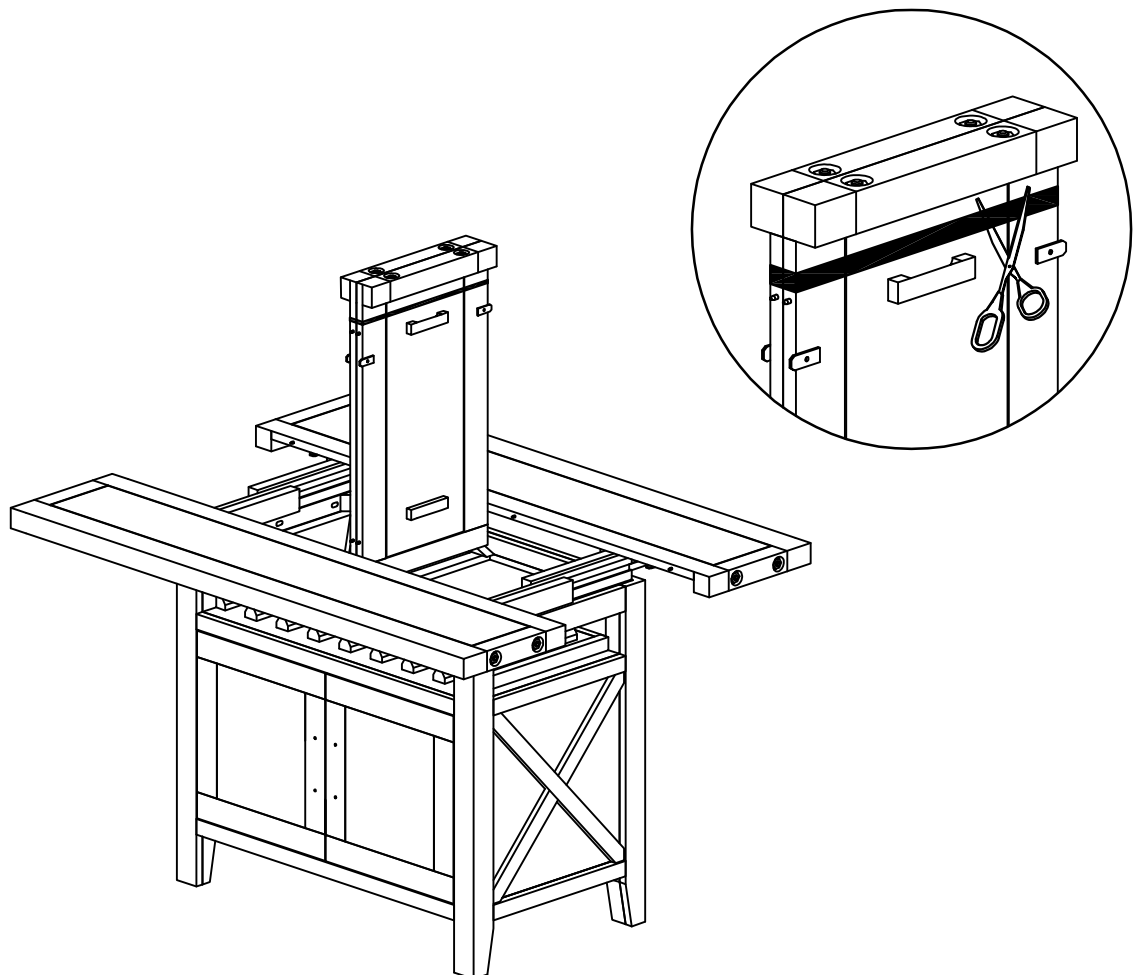
STEP 3:



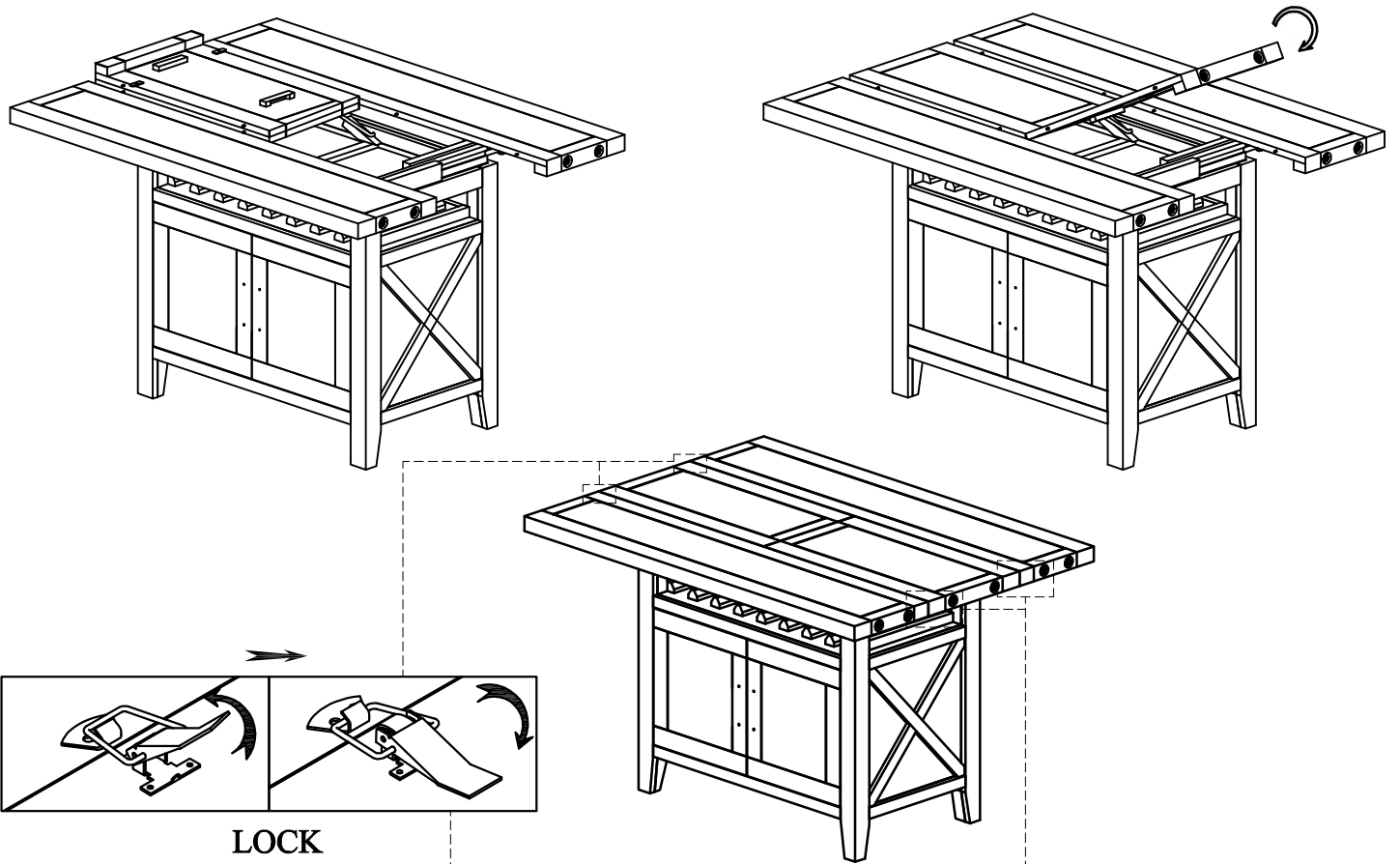
STEP 4:



STEP 5:



STEP 6:



STEP 7:

