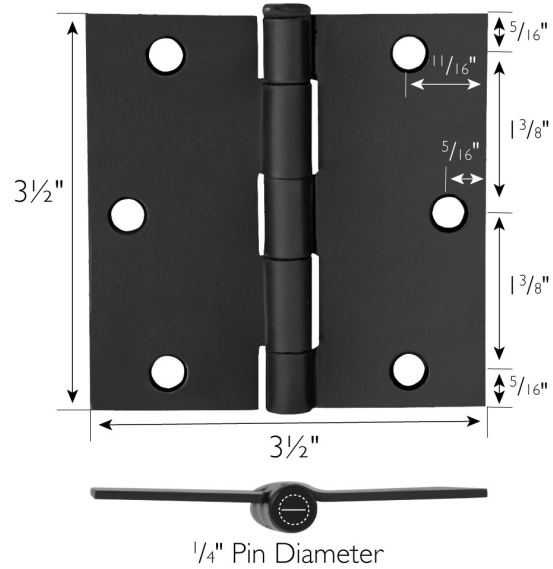


6-Hole 3 1/2" x 3 1/2", Square Corner Door Hinge 9-Pack  
Matte Black



**SPECIFICATIONS**

MATERIAL CONSTRUCTION:	Steel
MOUNTING HARDWARE INCLUDED:	#9 x 3/4" (6 screws)
TOOLS NEEDED FOR INSTALLATION:	Screwdriver
ASSEMBLED DIMENSIONS:	3 1/2" H x 3 1/2" L x 0.125" D
ASSEMBLED WEIGHT:	2.5 lbs
CORNER RADIUS:	Square
HINGE TYPE:	Butt Hinge

WARRANTY:	1-Year limited warranty
LEGAL FOR SALE IN CALIFORNIA:	Yes



TYPE:	
JOB:	
ORDER CODE:	
APPROVALS:	