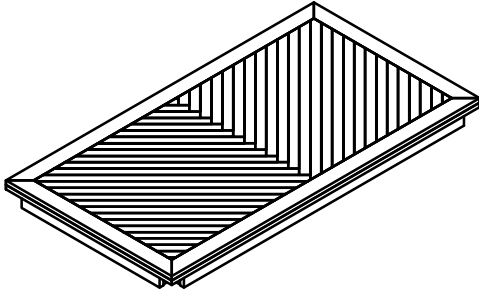


# ALEXANDRA FXED TABLE ASSEMBLY INSTRUCTIONS

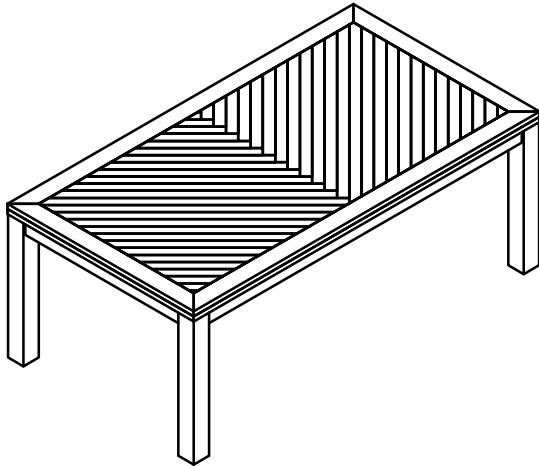
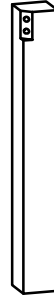


## PARTS PACKING CONFIGURATIONS





### A. TABLE TOP : 1 PC

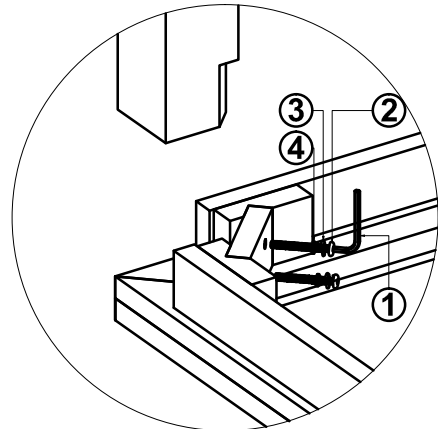
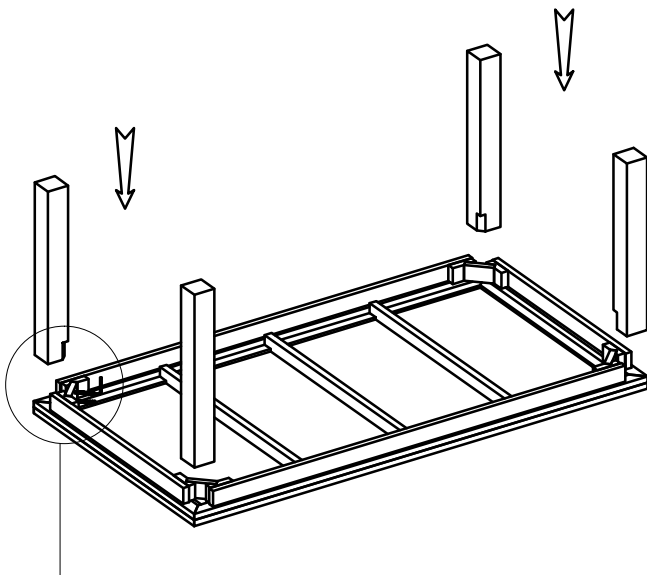


### B. LEGS : 4 PCS



### HARDWARE LIST:

No.	Description	Photo	Quantity
1	ALLEN KEY (M4)		1 PC
2	ALLEN BOLT (M8 x 60)		08 PCS
3	SPRING WASHERS (M8)		08 PCS
4	FLAT WASHERS (M8)		08 PCS



# ALEXANDRA FXED TABLE ASSEMBLY INSTRUCTIONS



## ALEXANDRA FXED TABLE FULLY ASSEMBLED :

