

SINCE 1839

**BRINLY**

SINCE 1839

**BRINLY**

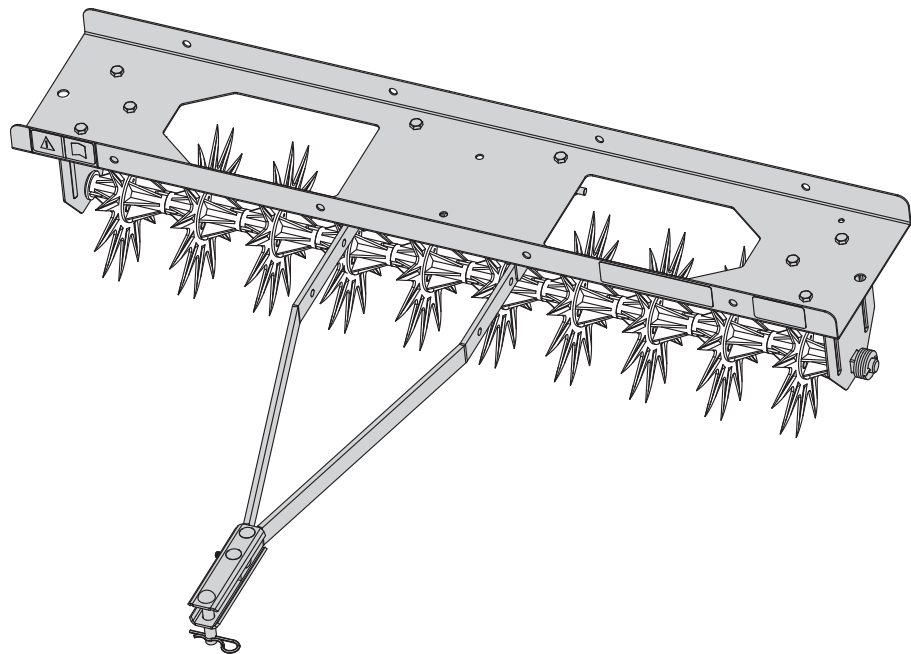
# OWNER'S MANUAL

## 40" LAWN AERATOR

MODEL:

**SA2-40BH-P**

- Assembly
- Installation
- Operation
- Repair Parts



Call Customer Service, Toll-Free: 877-728-8224

Visit us on the web!  
[www.brinly.com](http://www.brinly.com)

Important: This manual contains information for the safety of persons and property. Read it carefully before assembly and operation of the equipment!

# INTRODUCTION AND SAFETY

CONGRATULATIONS on your new Brinly-Hardy Aerator! This accessory has been designed, engineered and manufactured to give you the best possible dependability and performance.

Should you experience any problem you cannot easily remedy, please do not hesitate to contact our knowledgeable customer service department toll-free at 1-877-728-8224. We have competent, well trained technicians to help you with the assembly and use of your product.



## CUSTOMER RESPONSIBILITIES

- Please read & retain this manual. The instructions will enable to assemble and maintain your product properly.
- Please carefully read and observe the SAFETY SECTION of this manual.
- Follow a regular schedule in maintaining and caring for your Brinly-Hardy product.

## TABLE OF CONTENTS

SAFETY .....	2-4
COMPONENT VIEW AND REFERENCE LIST .....	5-6
ASSEMBLY .....	7-11
OPERATION .....	12-13
MAINTENANCE .....	14
STORAGE AND SERVICE .....	15
WARRANTY .....	16

## RECORD PURCHASE INFORMATION

Record your purchase information in the spaces provided below:

Date of Purchase \_\_\_\_\_

Company Name \_\_\_\_\_

Company Phone \_\_\_\_\_

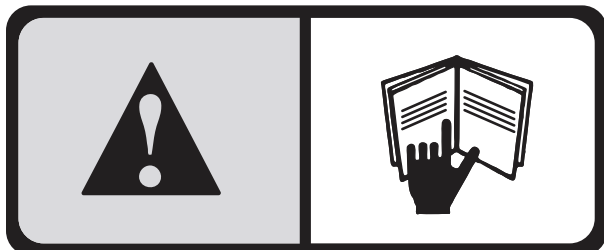
Serial Number \_\_\_\_\_

## SAFETY



This symbol will help to point out important safety precautions throughout this manual. It means: **ATTENTION! BECOME ALERT! YOUR SAFETY IS INVOLVED.**

B-7063 (Not to scale)



The machine safety labels shown in this section are placed in important areas on your machine to draw attention to potential safety hazards.

On your machine safety labels, the words **DANGER**, **WARNING**, and **CAUTION** are used with this safety-alert symbol. **DANGER** identifies the most serious hazards.

The operator's manual also explains any potential safety hazards whenever necessary in special safety messages that are identified with the word, **CAUTION**, and the safety-alert symbol.

# SAFETY

## GENERAL NOTES (OPERATION)

**CAUTION**  
RISK OF SEVERE INJURY!

**TO PREVENT PERSONAL INJURY - REMOVE WEIGHT FROM TRAY BEFORE DISCONNECTING AERATOR FROM TRACTOR.**

**PRECAUCIÓN**  
¡RIESGO DE LESIÓN SEVERA!

**PARA EVITAR LESIONES PERSONALES - RETIRE EL PESO DE LA BANDEJA ANTES DE DESCONECTAR EL AIREADOR DEL TRACTOR.**

**ATTENTION**  
RISQUE DE BLESSURE GRAVE !

**AFIN D'ÉVITER TOUTE BLESSURE PHYSIQUE, DÉLESTER LE PLATEAU AVANT DE DÉTACHER L'AÉRATEUR DU TRACTEUR.**

Caution should be taken when towing and/or using any attachment. This attachment combined with the weight distribution, turning radius, and speed of towing vehicle can result in severe injury or death to operator, damage to towing vehicle, and/or attachment if not used properly. Follow all towing safety precautions noted in the towing vehicle owner's manual, including the following precautions:

- Use this attachment for intended purpose only.
- Before you operate any feature of this attachment or towing vehicle, observe your surroundings and look for bystanders.
- This attachment is intended for use in lawn care and home applications. Do not tow behind a vehicle on a highway or in any high speed applications. Do not tow at speeds higher than the maximum recommended towing speed.
- Towing speed should always be slow enough to maintain control. Travel slowly over rough terrain. Avoid holes, rocks and roots. Slow down before turning.
- Do not exceed the maximum towing capacity of your towing vehicle.
- Do not tow this product behind a motor vehicle such as a car, truck or ATV. Towing this product behind a ZTR (Zero Turn Radius) mower can affect the stability of the mower and is not recommended. Additionally, towing this product behind a ZTR mower is not recommended due to the speed and sharp turning ability the ZTR. Damage to this product or ZTR may result.
- Know your towing vehicle controls and how to stop safely, READ YOUR OWNER'S MANUAL before operating.
- Check the towing vehicle brake action before you operate. Adjust or service brakes as necessary.
- Do not allow children to operate the towing vehicle. Do not allow adults to operate the towing vehicle without proper instruction or without having read the owner's manual.
- Always wear substantial footwear. Do not wear loose fitting clothing that can get caught in moving parts.
- Keep your eyes and mind on your towing vehicle, attachment and area being covered. Do not let other interests distract you.
- Stay alert for holes and other hidden hazards in the terrain.
- The towing vehicle and attachment should be stopped and inspected for damage after striking a foreign object. Any damage should be repaired before restarting and operating the equipment.
- Do not drive close to creeks, ditches and public highways.
- Watch out for traffic when crossing near roadways.
- Keep the towing vehicle and attachment in good operating condition and keep safety devices in place.
- Keep all parts in good condition and properly installed. Fix damaged parts immediately. Replace worn or broken parts. Replace all worn or damaged safety and instruction decals. Keep all nuts, bolts and screws tight.
- Do not modify the attachment or safety devices. Unauthorized modifications to the towing vehicle or attachment may impair its function or safety, and it will void the warranty.

*Safety continues on page 4...*

B-3922

# SAFETY

## TOWING VEHICLE AND TOWING SAFELY

- Read the safety operating precautions in your towing vehicle operator's manual for additional safety information.
- Stopping distance increases with speed and weight of towed load. Travel slowly and allow extra time and distance to stop. Total towed weight must not exceed limits specified in towing vehicle operator's manual.
- Excessive towed load can cause loss of traction and loss of control on slopes. Reduce towed weight when operating on slopes.
- Use only approved hitches. Tow this attachment only with a towing vehicle that has a hitch designed for towing. Do not connect this attachment except at the approved hitch point.
- Follow the towing vehicle manufacturer's recommendations for weight limits for towed equipment and towing on slopes. Use counterweights or wheel weights as described in the towing vehicle operator's manual.
- Slow down before you turn and do not turn sharply. Use additional caution when turning or operating under adverse surface conditions.
- When reversing, carefully back-up straight to avoid jack-knifing. Do not allow the towing vehicle's wheels to contact the attachment drawbar. Damage could result.
- Do not shift to neutral and coast downhill.

## PROTECT THOSE AROUND YOU

- Keep children, bystanders and pets at a safe distance away while operating this or any attachment.
- Use care when reversing. Before you back up, look carefully behind for bystanders.
- Before you operate any feature of this attachment or towing vehicle, observe your surroundings and look for bystanders.

## KEEP RIDERS OFF TOWED ATTACHMENT AND TOWING VEHICLE

- Do not carry passengers.
- Do not let anyone, especially children, ride in/on this attachment, the towing vehicle or hitch bracket. Riders are subject to injury such as being struck by foreign object and/or being thrown off during sudden starts, stops and turns. Riders may also obstruct the operator's view resulting in this attachment being operated in an unsafe manner.

Installation Questions?  
Missing Parts? Replacement Parts?

**DON'T GO BACK TO  
THE STORE!**

Please call our Customer Service  
Department, Toll Free: 877-728-8224  
or [customerservice@brinly.com](mailto:customerservice@brinly.com)



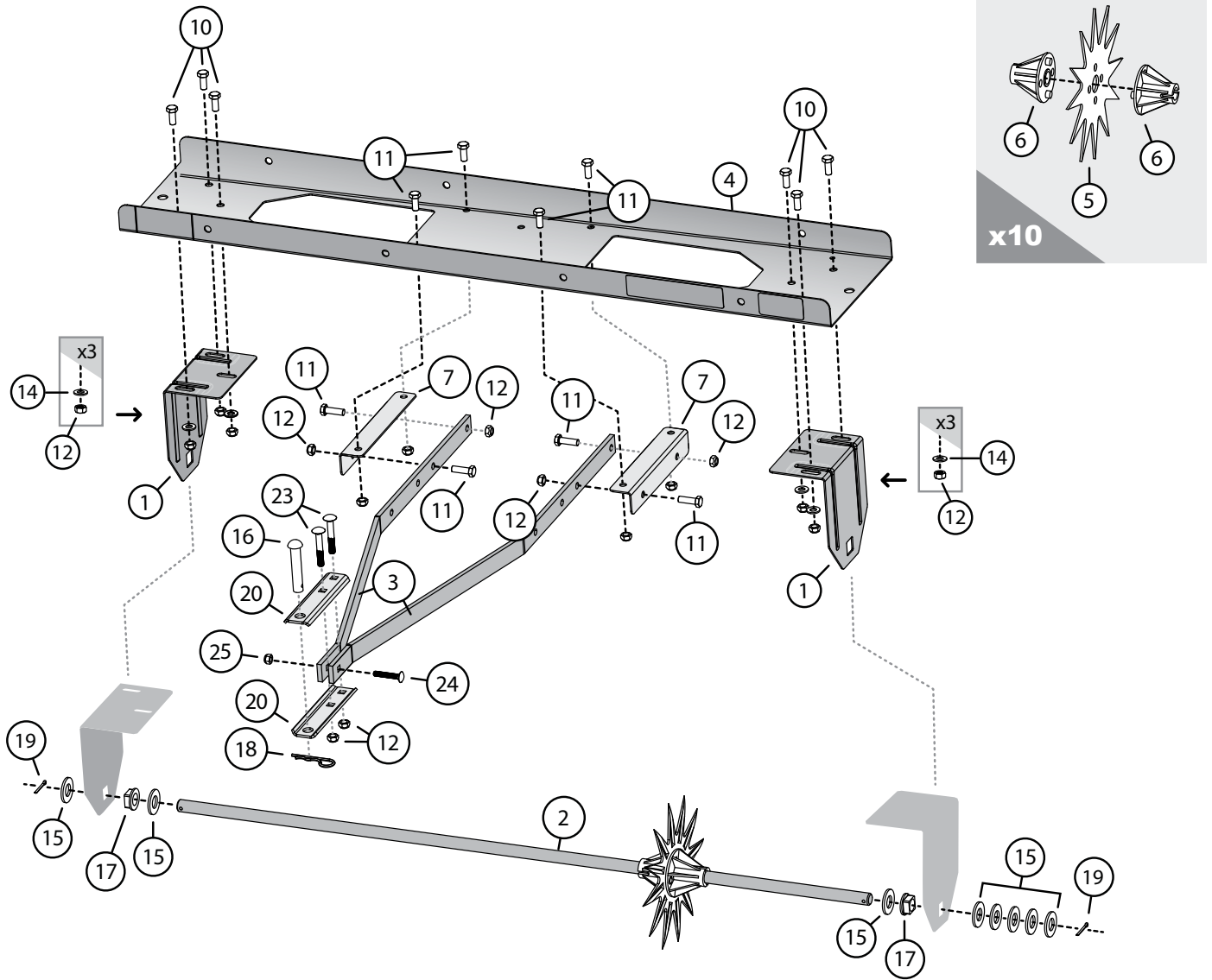
## TOOLS REQUIRED FOR ASSEMBLY:



- 1/2" Wrench (x1)
- Set of Pliers or Hammer
- Gloves

## NOTES

# COMPONENT VIEW AND REFERENCE LIST



Ref #	Part #	Description	Qty
1	1018977-16	End Panel	2
2	1018988	Tine Shaft	1
3	1019212-16	Towbar	2
4	1019408	Tray with Labels	1
5	1018833	Tine	10
6	1019589	Bearing	20
7	1018985-16	Towbar Bracket	2

<b>Hardware Bag: 1019108</b>			
10	2M1012P	Bolt; Hex Head, 5/16 x 3/4	6
11	2M1016P	Bolt; Hex Head, 5/16 x 1	8
12	B-4786	Nut; Nylock, 5/16	16
14	45M1111P	Washer; Flat, 5/16"	6
15	45M2121P	Washer; Flat, 5/8"	8
16	B-3861	Hitch Pin, 1/2" x 2-1/2"	1
17	1019206	Square Bearing	2
18	1019151	Hairpin Cotter, 1/8"	1
19	1008098	Cotter Pin	2
20	R-892-16	Clevis	2
23	10M1032P	Bolt; Carriage, 5/16" x 2"	2
24	11M0824P	Bolt; Carriage, 1/4" x 1-1/2"	1
25	B-4785	Nylock Nut, 1/4"	1

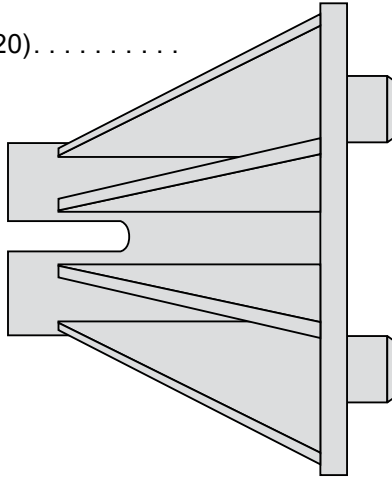
# HARDWARE IDENTIFIER

Illustrations on this page are to scale for faster identification of hardware during assembly.

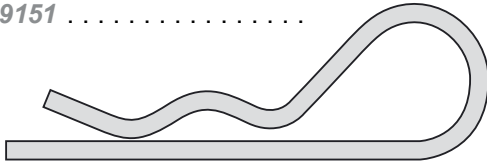
**DO NOT RETURN PRODUCT IF YOU ARE MISSING PARTS.**

Please Call: 1 (877) 728-8224

6 Bearing (x20).....  
**1019589**



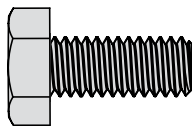
18 Hairpin Cotter, 1/8" (x1)  
**1019151** .....



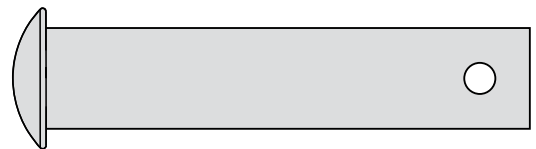
19 Cotter Pin (x2)  
**1008098** .....



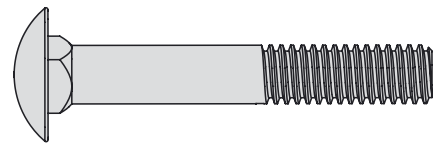
10 Bolt; Hex Head  
5/16 x 3/4" (x6) .....



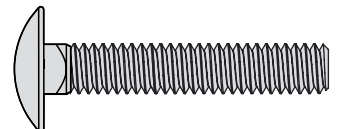
16 Pin; Hitch, 1/2" x 2 1/2" (x1) .....



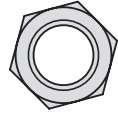
23 Bolt; Carriage, 5/16 x 2" (x2)  
**10M1032P**



24 Bolt; Carriage, 1/4 x 1-1/2" (x1)  
**11M0824P**



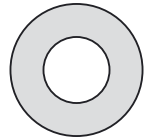
12 Nut; Nylock  
5/16" (x16) .....



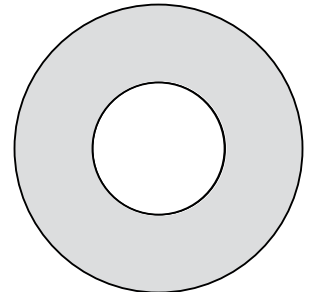
25 Nut; Nylock  
1/4" (x1) .....



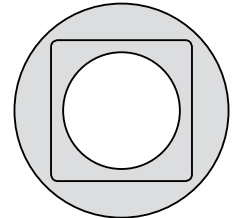
14 Washer; Flat  
5/16" (x6) .....



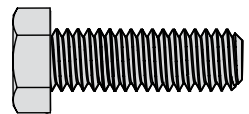
15 Washer: Flat  
5/8" (x8) .....



17 Square  
Bearing (x2) .....



11 Bolt; Hex Head  
5/16 x 1" (x8) .....



# ASSEMBLY

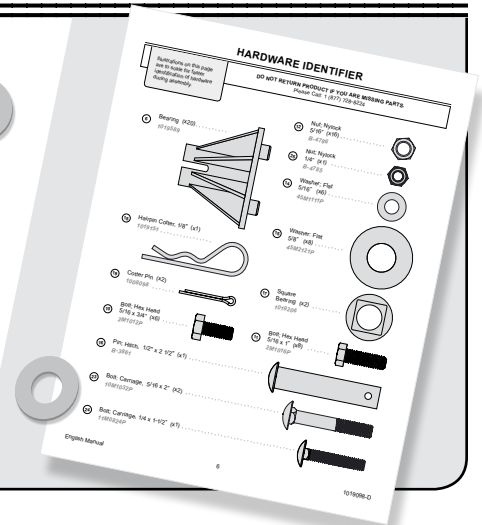
## Assembly Tip

Illustrations on page 6 are to-scale. For faster identification of the hardware during assembly, simply lay the hardware on top of these illustrations.



Additional info and videos are available on our website: [brinly.com](http://brinly.com)

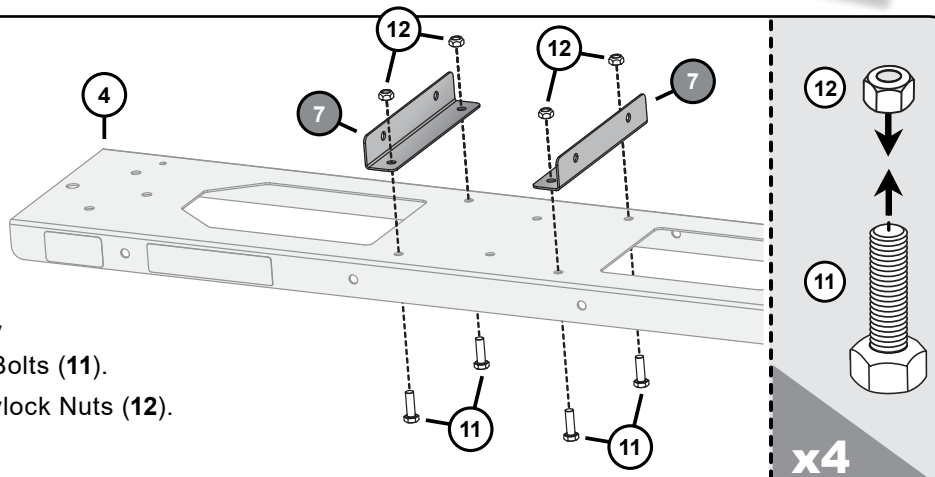
This QR code links directly to the Spike Aerator product page.



## Step 1-A

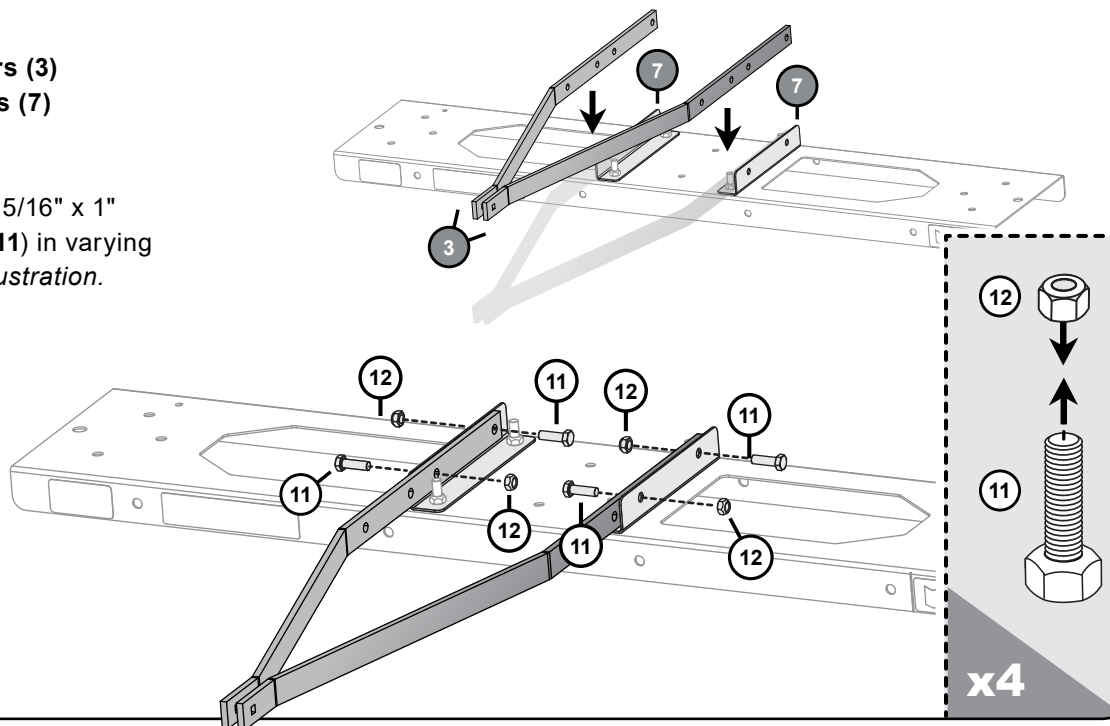
### 1. Align the Towbar Brackets (7) with the Tray (4) as illustrated.

- Attach the from beneath the tray using four 5/16" x 1" Hex Head Bolts (11).
- Secure on top with four 5/16" Nylock Nuts (12).



### 2. Align the Towbars (3) with the Brackets (7) as illustrated.

- Attach using four 5/16" x 1" Hex Head Bolts (11) in varying directions, *see illustration*.
- Secure with four 5/16" Nylock Nuts (12).

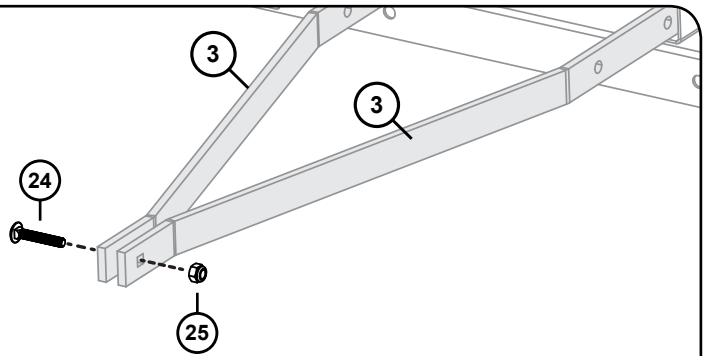


# ASSEMBLY

## Step 1-B

1. Run the 1/4 x 1-1/2" Carriage Bolt (24) through the opening at the end of the tow bars (3).

Start to add a 1/4" Hex Nut (25) on the end of the bolt, however, **do not tighten** (YET).

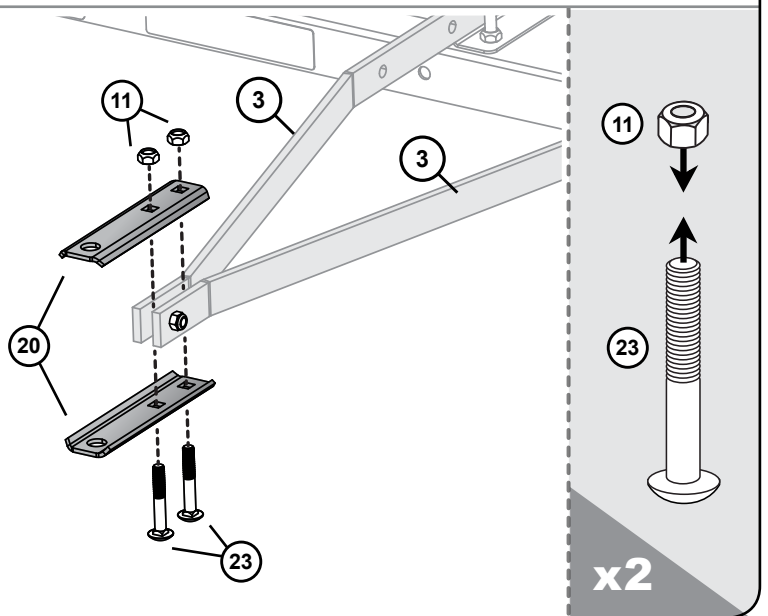


2. **Align the two Clevis Plates (20) with the Tow Bars (3) as illustrated.**  
While straddling the bolt just added, add two 5/16" x 2" Carriage Head Bolts (23) from below.

*NOTE: These bolts will pass through the clevis plates (20) and between the tow bars (3).*

Secure both bolts with a 5/16" Hex Nut (11).

3. **Secure the bolt (24) and nut (25) from the beginning of this step.**

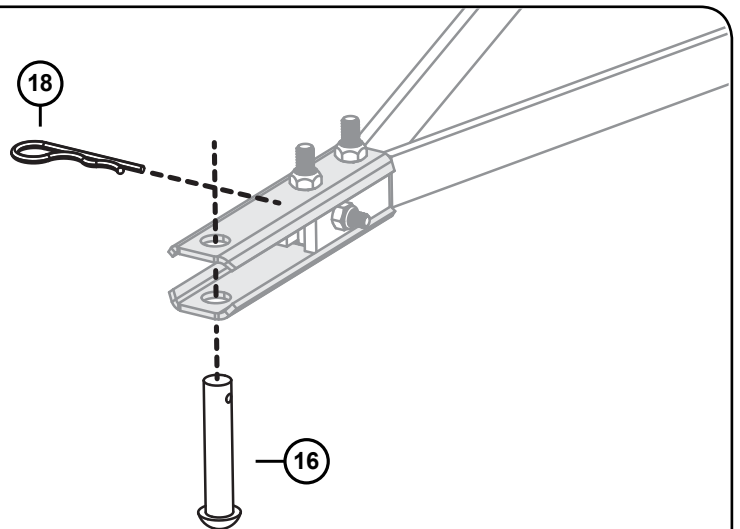


## Step 1-C

From below, run the hitch pin (16) through the clevis plates (20).

Secure with a Hairpin Cotter (18) at the end of the hitch pin.

*NOTE: The hairpin cotter can be easily tapped in place with a hammer or tool.*





# ASSEMBLY

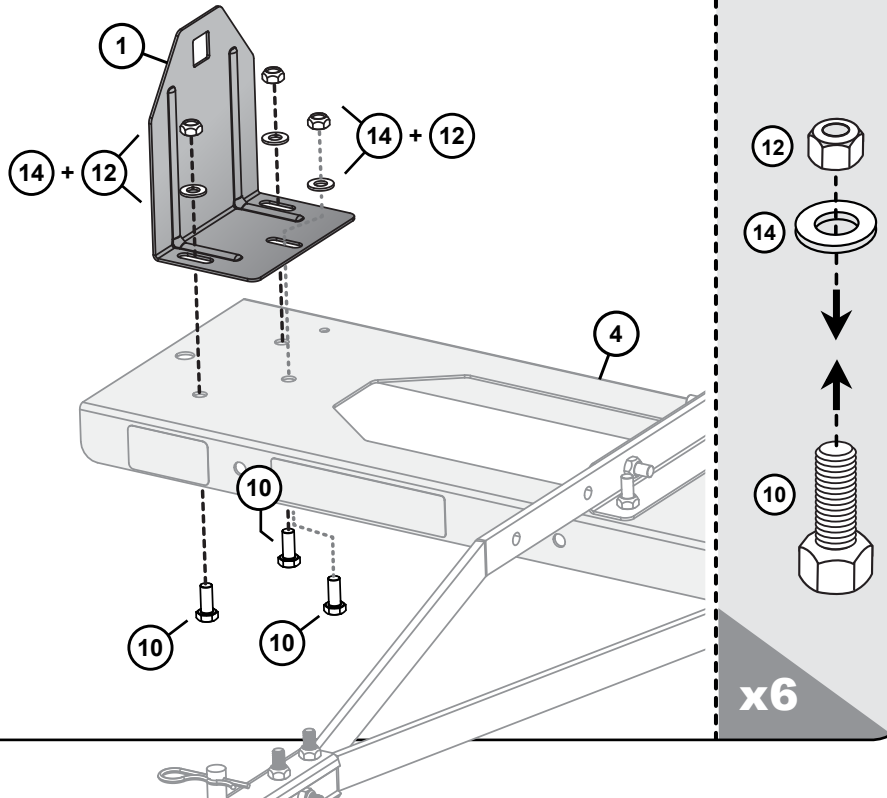
**NOTE:** Leave nuts loose on this step, allowing the End Panels (1) to be adjusted later.

## Step 2

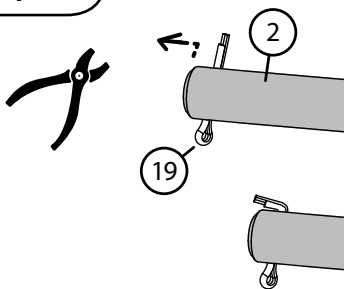
**Align an End Panel (1) with the Aerator Tray (4).**

- From beneath, run three 5/16" x 3/4" Hex Head Screws (10) through the tray and end panel.
- Add a 5/16" Flat Washer (14) to each screw.
- Add three 5/16" Hex Nuts (12), **DO NOT TIGHTEN FULLY.**  
*NOTE: These will be adjusted and secured on Step 4-B.*

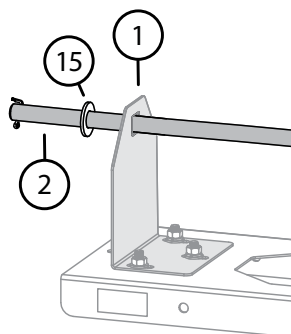
**Repeat on the other end of the tray (4).**



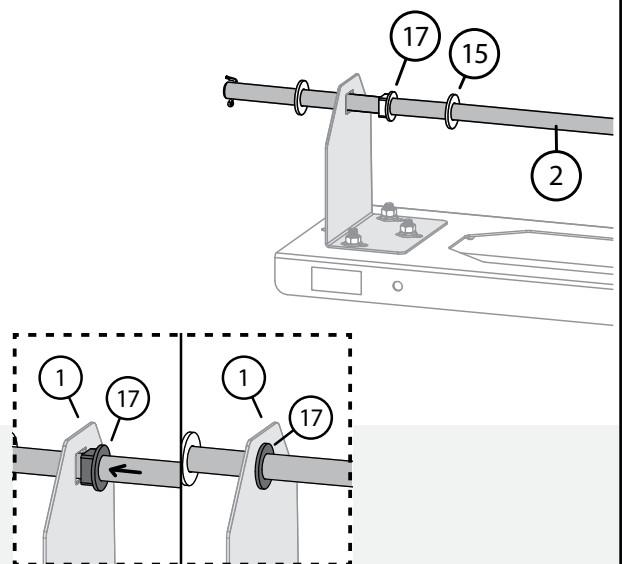
## Step 3



Slide a Cotter Pin (19) through the end of the Tine Shaft (2). Using pliers, bend the ends over to secure the pin in place.



Place a 5/8" Flat Washer (15) on the Tine Shaft (2) and push the shaft through one End Panel (1).



Add a Square Bearing (17) and a 5/8" Flat Washer (15) on the Tine Shaft (2) as illustrated.

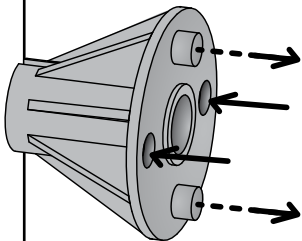
# ASSEMBLY

## Step 4-A

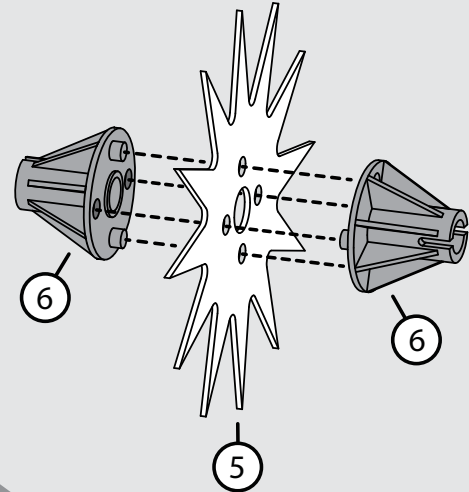


**CAUTION:**  
GLOVES ARE REQUIRED WHEN  
HANDLING AERATOR TINES.

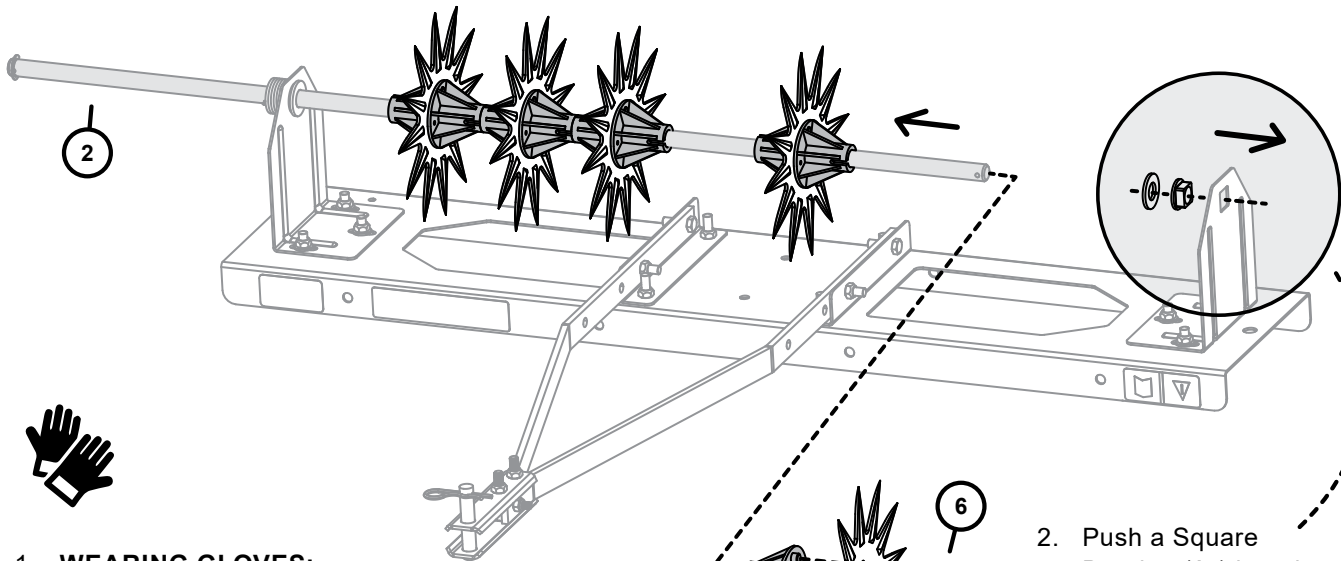
Tines have extremely sharp points.  
Use caution when handling.



*NOTE: The Bearings (6)  
have two small openings and  
extensions. These are designed to  
sandwich the Tines (5), sliding  
through and connecting.*



x10



### 1. WEARING GLOVES:

Slide the 10 Tines (5)  
and 20 Bearings (6) onto the  
Tine Shaft (2) as illustrated.

*NOTE: Round projections on Bearings (6) must  
fit into holes in Tines (5) and into two holes of  
opposite Bearing.*

### 2. Push a Square Bearing (17) into the End Panel (1).

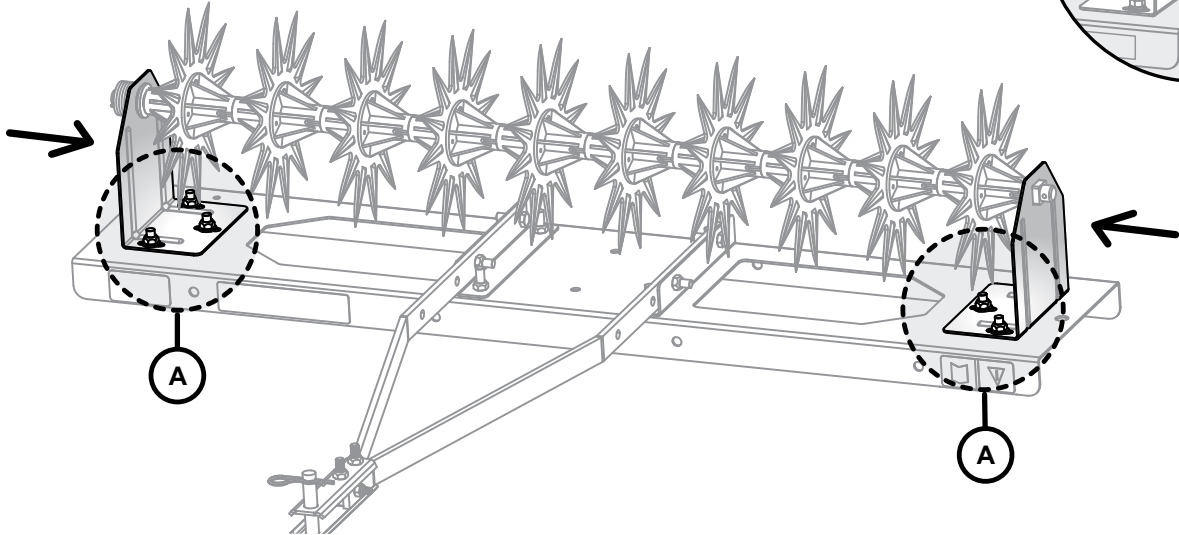
Place a 5/8" Flat  
Washer (15) on the  
Tine Shaft (2) and slide  
the shaft through the  
end panel.

# ASSEMBLY

**NOTE:** The Square Bearings must be completely inserted into the end panels.

## Step 4-B

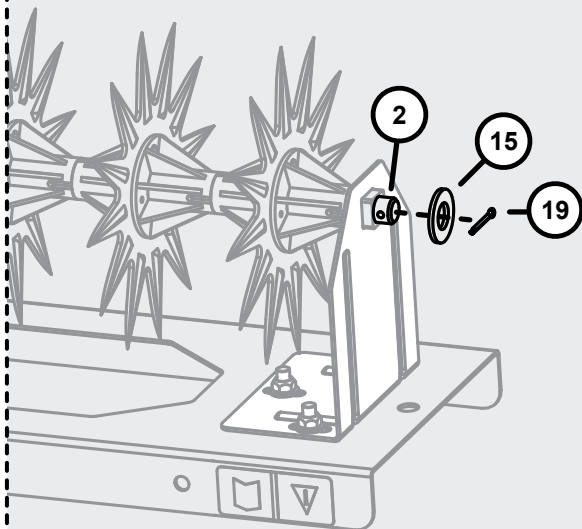
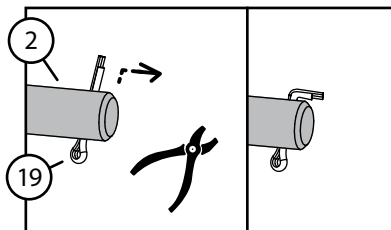
Push the End Panels (1) toward the center until there is no free play along the shaft. Tighten the six nuts (A) securing these panels fully.



## Step 4-C

Add as many 5/8" Flat Washers (15) to the opposite end of the shaft as necessary to eliminate extra space. Fasten the remaining Cotter Pin (19) on the end of the Tine Shaft (2).

Using pliers, bend the Cotter Pin (19) ends over to secure the pin in place.



**NOTE:** Store extra flat washers (15) in a safe location. You may need them for maintenance.

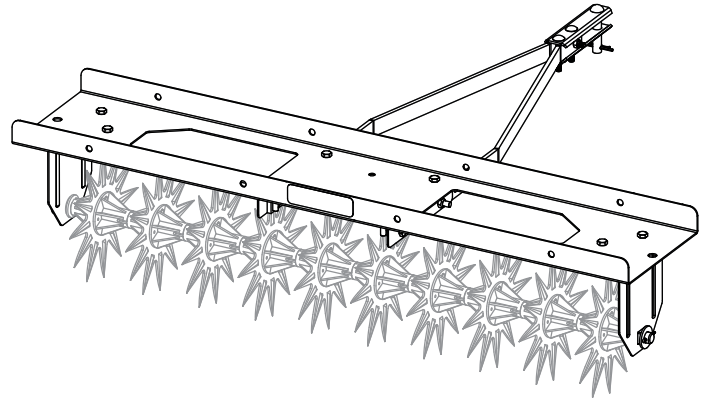
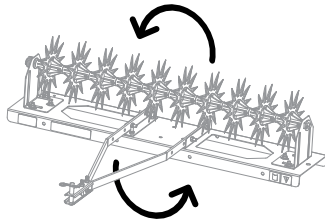
# ASSEMBLY



**CAUTION: GLOVES ARE REQUIRED.**  
Tines have extremely sharp points. Use caution when working around them.

## Step 5

Carefully  
flip the Spike  
Aerator over.



**CAUTION: AVOID INJURY!**  
Make sure feet and hands are  
clear of Tine Tips.

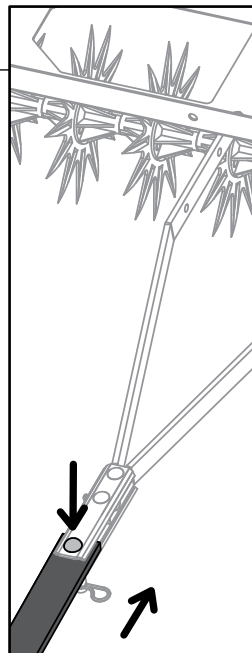
# OPERATION



**CAUTION:** Keep body parts away from under drawbar.  
Do not attempt to disconnect Aerator from towing vehicle with weight on the tray.

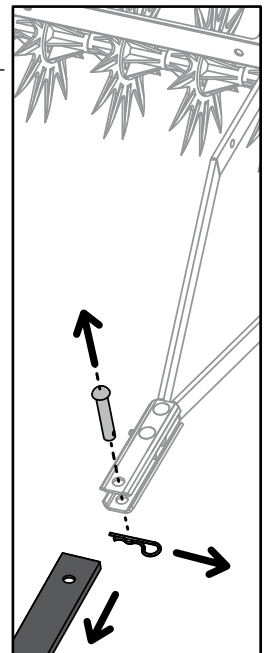
## INSTALLING

1. Park towing vehicle safely and set the parking brake (See *towing vehicle operator's manual*).
2. Align Aerator Clevis (20) with towing machine hitch plate.
3. Install Hitch Pin (16) through Clevis (20) and towing machine hitch plate. Secure Hitch Pin (16) with Hairpin Cotter (18).



## REMOVING

1. Park towing vehicle safely and set the parking brake (See *towing vehicle operator's manual*).
2. Unload weight from the Aerator tray.
3. Remove Hairpin Cotter (18) and Hitch Pin (16).
4. Push Aerator away from the towing vehicle.
5. Install Hitch Pin (16) and Hairpin Cotter (18) for storage.



# OPERATION

## USAGE



**CAUTION: AVOID INJURY!**

Avoid damage to tines. Do not tow the aerator across concrete or asphalt driveways and walkways.

**CAUTION:** Excessive towed load can cause loss of control on slopes. Stopping distance increases with speed and the weight of the towed load.

**CAUTION:** Total towed weight must not exceed combined weight of towing vehicle, ballast and operator.

## TINES



**CAUTION: AVOID INJURY!** Openings in Tray allow access to Tines for cleaning and service. Exercise caution when working around Tray openings and avoid placing body parts into the openings.

- Moderate soil moisture is important for proper tine penetration. Extremely dry conditions will not permit tine penetration and may damage the tines. Extremely wet conditions will cause full penetration of tines (up to tine bearings). This condition will cut slots in the turf.
- Tray Openings allow access to Tines for cleaning and service only and are not to be used in any other application.

## AERATOR WEIGHT

The following maximum loaded weight capacity is the weight of the Aerator plus the maximum weight loaded into the Aerator Tray:

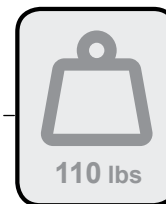
	Weight
<b>Model SA2-40BH-P</b>	25 lbs (empty)
<b>Maximum Tray Weight</b>	110 lbs
<b>Maximum Towed Weight</b>	135 lbs

## ADDING WEIGHT

- Bagged weight material can fall through Tray Openings and be torn open or damaged by the Tines. Use solid weight or close Tray Openings with wood panel or by other suitable means.
- Weight should be added to the tray after attaching to the towing vehicle. Weight should be secured by rope, straps, or other suitable means to contain the weight in the tray.

## CAPACITY

Maximum capacity of the Aerator Tray is 110 lbs.



# OPERATION

## SPEED

The best operating speed is 3 mph or less.

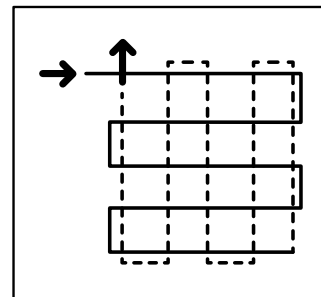
Maximum operating speed is 5 mph.



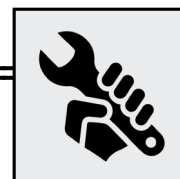
## FREQUENCY

Lawn aeration is not accomplished in a single pass. It will normally take several passes over the lawn.

Alternating the direction by 90 degrees will improve the aeration effect. The Aerator may be used in an independent operation or may be used when mowing your lawn.



# MAINTENANCE



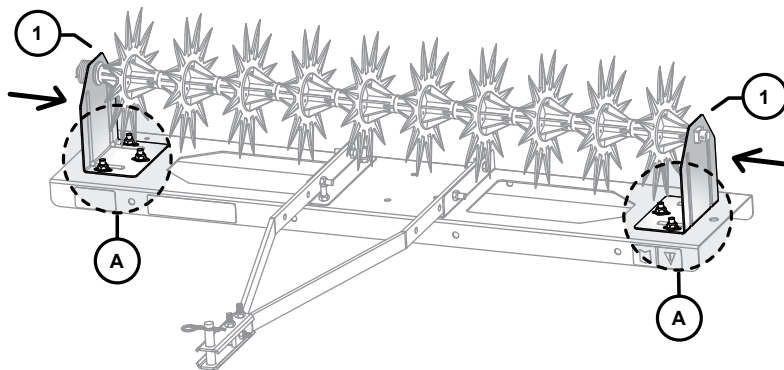
- The key to years of trouble-free service is to keep your Aerator clean and dry.
- After the first 30 minutes of use, check all fasteners for tightness. *Thereafter, periodically check all fasteners for tightness.*
- Tines are manufactured with galvanized steel to resist wear of abrasive soil. Striking objects can cause Tines to curl or break. Contact Brinly-Hardy customer service department to purchase replacement Tines.
- Apply a light coat of oil on tines after use to prevent rust.
- For rust appearing on painted surfaces, sand lightly and paint affected area with enamel.
- Periodically remove debris that builds up between Tines.
- Apply lubricating oil at each tine bearing and axle bearing before use.

### AFTER USE, THE TINE AND TINE BEARINGS MAY BECOME LOOSE ON THE TINE SHAFT.

Should this occur, remove the looseness as follows:

1. Loosen the End Panel nuts (A).
2. Push the End Panels (1) toward the Tines until there is no free play along the Tine Shaft.
3. Tighten the End Panel nuts (A).

**NOTE:** The Square Bearings must be completely inserted into the End Panels before you tighten the End Panel nuts (A).



# STORAGE & SERVICE

## STORAGE

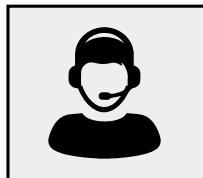


### **CAUTION: AVOID INJURY!**

The Aerator Tines are very sharp. Care should be taken when choosing a storage location for this product.

- Store Aerator in low traffic aisle ways.
- Store Aerator with Tine points facing the wall or ground.
- Store Aerator on the ground or low to the ground.
- Do not store Aerator hanging from the wall, ceiling or with Tine points facing outward.
- Product packaging can be used to offer a protective area around the Tines.
- Drawbar is a trip hazard. Avoid leaving Drawbar in aisle ways and walking paths.

## SERVICE



### **QUALITY CONTINUES WITH QUALITY SERVICE**

If you have installation questions, are missing parts or need replacement parts, don't go back to the store!

Please find your product serial number and model number, then contact our Customer Service department:



In North America and Canada call  
Toll-Free: **877-728-8224**



Chat online: **www.brinly.com**



Email: **customerservice@brinly.com**

## ONLINE

### **BRINLY.COM**

Additional info and videos are available on our website. Please visit the URL above OR scan this QR code.

SA2-40BH-P





MANUFACTURER'S LIMITED WARRANTY  
**AERATORS**

*The limited warranty set forth below is given by Brinly-Hardy Company with respect to new merchandise purchased and used in the United States (its possessions and territories) and Canada.*

Brinly-Hardy Company warrants the products listed below against defects in material and workmanship, and will at its option, repair or replace, free of charge, any part found to be defective in materials or workmanship. This limited warranty shall only apply if this product has been assembled, operated, and maintained in accordance with the Operator's manual furnished with the product, and has not been subject to misuse, abuse, commercial use, neglect, accident, improper maintenance, alteration, vandalism, theft, fire, water, or damage because of other peril or natural disaster.

Parts found to be defective within the warranty period will be replaced at our expense. Our obligation under this warranty is expressly limited to the replacement or repair, at our option, of parts found to be defective in material and workmanship.

**HOW TO OBTAIN SERVICE:** Warranty parts replacements are available, only with proof of purchase, through our Customer Service Department. Call 877-728-8224.

**This limited warranty does not provide coverage in the following cases:**

- a. Routine maintenance items such as lubricants & filters.
- b. Normal deterioration of exterior finish due to use or exposure.
- c. Transportation and/or labor charges.
- d. The warranty does not include commercial and/or rental use.

**No implied warranty, including any implied warranty of merchantability of fitness for a particular purpose, applies after the applicable period of express written warranty above as to the part as identified below. No other express warranty whether written or oral, except as mentioned above, given by any person or entity, including a dealer or retailer, with respect to any product, shall bind Brinly-Hardy Co. During the period of the warranty, the exclusive remedy is repair or replacement of the product as set forth above.**

**The provisions as set forth in this warranty provide the sole and exclusive remedy arising from the sale. Brinly-Hardy Co. shall not be liable for incidental or consequential loss or damage including, without limitation, expenses incurred for substitute or replacement lawn care services or for rental expenses to temporarily replace a warranted product.**

Some states do not allow the exclusion or limitation of incidental or consequential damages, or limitations on how long an implied warranty lasts, so the above exclusions or limitations may not apply to you.

During the warranty period, the exclusive remedy is replacement of the part. In no event shall recovery of any kind be greater than the amount of the purchase price of the product sold. Alteration of safety features of the product shall void this warranty. You assume the risk and liability for loss, damage, or injury to you and your property and/or to others and their property arising out of the misuse or inability

to use this product. **NOTE:** *This limited warranty shall not extend to anyone other than the original purchaser or to the person for whom it was purchased as a gift.*

This limited warranty lasts as long you own your product purchased from an authorized seller. **Coverage terminates once you sell or otherwise transfer the product.**

This limited warranty does not cover any purchaser other than the original purchaser of the product, nor does it cover any product purchased from an unauthorized third-party. If you are not the original purchaser of this product, your product is not covered by our limited warranty and you take the product "AS IS" and "with all faults."

We may require proof of purchase from you demonstrating that you are the original purchaser of the product, purchased the product from an authorized dealer, and are eligible to make a valid claim under this limited warranty.

**How state law relates to this warranty:** This limited warranty gives you specific legal rights, and you may also have other rights which vary from state to state.

**IMPORTANT:**

The Warranty period stated below begins with the proof of purchase. Without the proof of purchase, the Warranty period begins from the date of manufacture determined by the serial number manufacturing date. All parts replaced under warranty will be considered as part of the original product, and any warranty on the replaced parts will expire coincident with the original product warranty.

**WARRANTY PERIOD:**

*See applicable parts listed below.*

**Standard / Residential Use:**

Steel Frame & Steel Parts . . . . .	2 years
Stars & Plugs . . . . .	90 days
Tires / Wheels . . . . .	90 days
Drive: Chain & Sprocket . . . . .	90 days

*All other normal wear parts or component failures will be covered on this product for a period of 90 days.*

*If this equipment is being used in a commercial application and / or for multiple properties, the warranty is 90 days after purchase for all parts.*