

Pyxis

LED Bollard

Product Description

Pyxis features unique and attractive parabolic cone and louvered designs, each with back light directional shields, and delivers maximum lumen output to create the perfect lighting for courtyards and walkways. Available in bronze finish with a 5000K color temperature, Pyxis has a 7" diameter and stands 43" high. The LED bollard includes 10kA surge protection and is dimmable from 0-10VDC.

Construction

- High-quality, die-cast aluminum housing with integrated heat sink
- Height of 43"

Optical System

- Parabolic Cone or Louvered
- Directional shield included
- Utilizes advanced LED technology with CCT of 5000K
- CRI 70+

Electrical

- Thermally-protected, high-efficiency driver
- Operating temperature rating of -4° to 104°F (-20°C to 40°C)
- Input voltage of 120-277VAC
- Driver delivers full-range dimming from 0 - 10VDC
- Standard with 10K surge protector

Finish

- Fine-textured, UV-stabilized powder coat bronze finish

Mounting and installation

- Anchor bolts and anchor bolt template included.
- For installations where power surge may be possible, NICOR recommends installing additional surge protection at the electrical distribution panel

Listings

- LM-79, LM-80 testing performed in accordance with IESNA standards
- UL and CUL Listed for wet locations
- Meets FCC Part 15, Subpart B, Class A standards for conducted and radiated emissions

Warranty

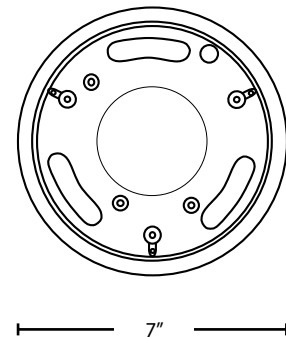
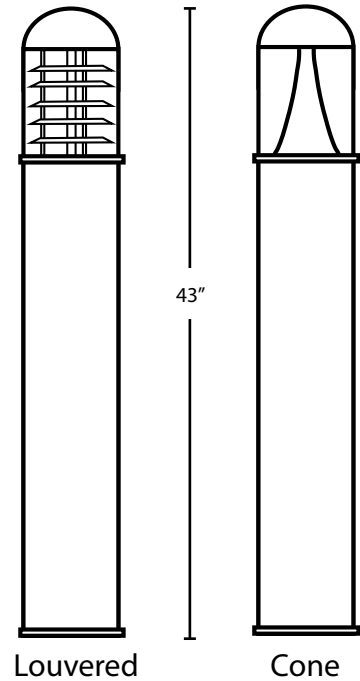
- 3-year limited system warranty for louvered fixture
- 5-year limited system warranty standard for parabolic cone fixture
- Warranty does not cover product failure due to an overvoltage event (power surge)

Project

Catalog

Type

Date



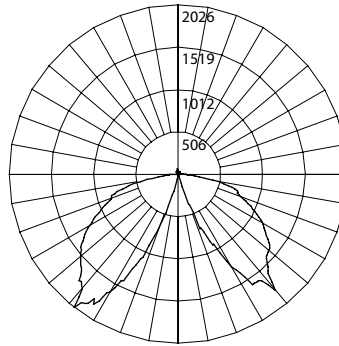
Photometric Data

OBL 5000K CONE

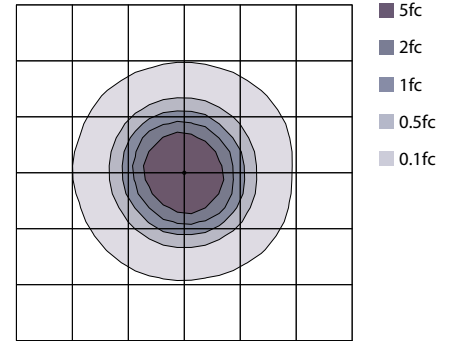
Input Voltage (VAC)	120-277
System Level Power (W)	27.7
120V Current (A)	0.23
277V Current (A)	0.10
Delivered Lumens (Lm)	2803
System Efficacy (Lm/W)	101.2
Correlated Color Temp (K)	5000
Color Rendering Index (CRI)	70
Beam Angle	46.7°

Intensity Summary (Candle Power)

Angle	Mean CP
0	0
15	42
30	646
45	743
60	548
75	322
90	38
105	3
120	7
135	9
150	15
165	19
180	0



51" Mounting Height



Each square represents 100 square feet.

Zonal Lumen Summary

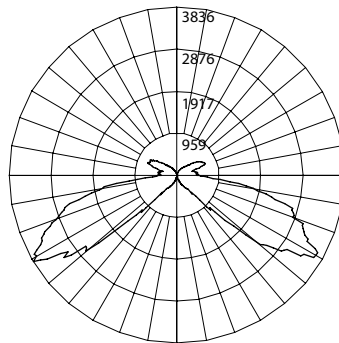
Zone	Lumens	% of Luminaire
0-30	236	8.4%
0-40	731	26.1%
0-60	1865	66.5%
0-90	2740	97.7%
90-180	63	2.3%
0-180	2803	100.0%

OBL 5000K LOUVER

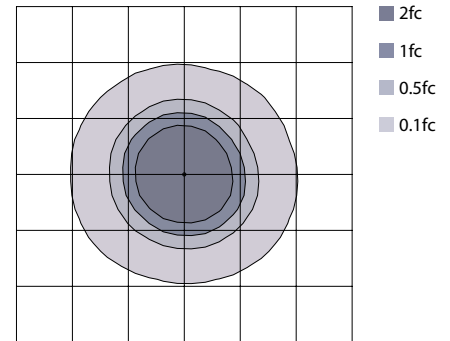
Input Voltage (VAC)	120-277
System Level Power (W)	27.8
120V Current (A)	0.23
277V Current (A)	0.10
Delivered Lumens (Lm)	1726.7
System Efficacy (Lm/W)	62.1
Correlated Color Temp (K)	5000
Color Rendering Index (CRI)	70
Beam Angle	139°

Intensity Summary (Candle Power)

Angle	Mean CP
0	1
15	13
30	40
45	164
60	469
75	324
90	59
105	72
120	64
135	26
150	12
165	1
180	0



51" Mounting Height



Each square represents 100 square feet.

Zonal Lumen Summary

Zone	Lumens	% of Luminaire
0-30	18	1.1%
0-40	54	3.1%
0-60	548	31.7%
0-90	1428	82.7%
90-180	298	17.3%
0-180	1727	100.0%

Fixture tested per LM-79-08. Photometric data is of the performance of a representative fixture. Results may vary in the field.

Ordering Information

Example: OBLR71028MV50BZ51C

Series	Shape	Size	Version	Wattage	Voltage	CCT	Finish	Style
OBL	R (Round)	7(Inches)	10	28(Watts)	MV(120-277VAC)	50(5000K)	BZ(Bronze)	51 C(Cone)
								51 L(Louver)

Specifications and dimensions subject to change without notice.

EXPRESS LIMITED WARRANTY

Subject to the exclusions contained below, NICOR Inc. (NICOR) warrants that all NICOR LED branded Solid State Lighting products made by NICOR to be free from defects in materials and workmanship, under normal consumer usage for a period of 5 years from date of purchase. This limited warranty is a consumer's exclusive remedy, and applies only to new products purchased and used by consumers in the United States or Canada, which are accompanied by this written warranty.

This limited warranty extends only to the first consumer purchaser, and is not transferable. A consumer wishing to invoke the terms of this warranty must first obtain a RGA number within 30 days of discovery of the defect, and return the product to NICOR for inspection. Once verified to be covered by this limited warranty, NICOR will, at its discretion, repair, replace or refund the purchase price of any product that does not conform to this limited warranty.

This limited warranty covers only defects in material and workmanship associated with normal installation and intended use of the product.

THIS LIMITED WARRANTY DOES NOT COVER THE FOLLOWING:

- Defects or damages resulting from improper operation, storage, misuse or abuse, accident or neglect;
- Defects or damages resulting from improper service, testing, adjustment, installation, maintenance, alteration, connection to out-of-specification electrical service, corrosive or damp environments, or connection to incompatible equipment or devices (e.g., connecting non-dimmable lighting products to dimmers);
- Damage which occurs in transit; and
- Labor or other charges or expenses associated with the removal, repair, or re-installation of defective or replacement products.

ANY IMPLIED WARRANTIES, INCLUDING WITHOUT LIMITATION, THE IMPLIED WARRANTIES OF MERCHANTABILITY AND FITNESS FOR A PARTICULAR PURPOSE SHALL BE LIMITED TO THE DURATION OF THIS LIMITED WARRANTY, OTHERWISE THE REPAIR, REPLACEMENT OR REFUND AS PROVIDED UNDER THIS EXPRESS LIMITED WARRANTY IS THE EXCLUSIVE REMEDY OF THE CONSUMER, AND IS PROVIDED IN LIEU OF ALL OTHER WARRANTIES, EXPRESS OR IMPLIED. IN NO EVENT SHALL NICOR BE LIABLE, WHETHER IN CONTRACT OR IN TORT (INCLUDING NEGLIGENCE) FOR DAMAGES IN EXCESS OF THE PURCHASE PRICE OF THE PRODUCT, OR FOR ANY INDIRECT, INCIDENTAL, SPECIAL OR CONSEQUENTIAL DAMAGES OF ANY KIND, OR LOSS OF REVENUE OR PROFITS, LOSS OF BUSINESS OR OTHER FINANCIAL LOSS ARISING OUT OF OR IN CONNECTION WITH THE ABILITY OR INABILITY TO USE THE PRODUCT TO THE FULL EXTENT THESE DAMAGES MAY BE DISCLAIMED BY LAW.

Copyright 2016, NICOR, Inc.

Revised February, 2016