


ASSEMBLY INSTRUCTION

ITEM: 5751-80110-15 Tevis Bluff Cocktail Table
5751-80110-45 Cocktail Table
5751-80110-80 Hillbrandt Cocktail Table



Thank you for purchasing this quality product. Be sure to unpack carefully looking for small parts which may have come loose during shipment.

Read all instruction and study the drawing carefully before starting the assembly process.

HARDWARE PACK

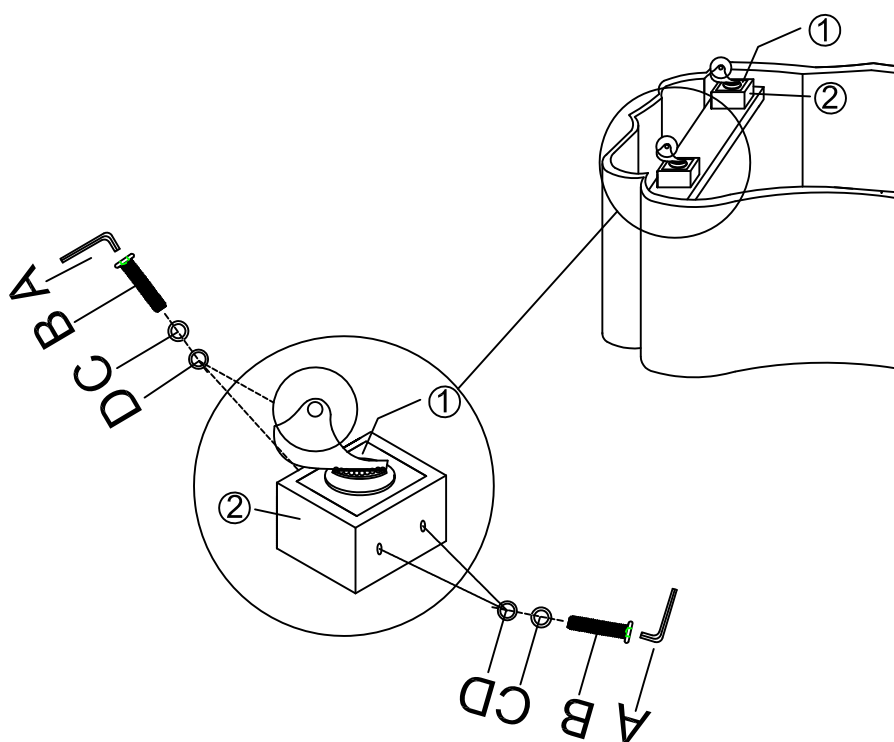
NO.	DRAWING	DESCRIPTION	SIZE	Q'TY
A		Allen Wrench	73*29*5mm	1PC

PART LIST

NO.	DRAWING	DESCRIPTION	Q'TY
①		Caster	4PCS
②		Wood Block	4PCS

Adjustable caster instruction (1/2" & 1" heights)

* There are 2 options of heights, follow below instruction to change height from 1/2" as installed to 1".

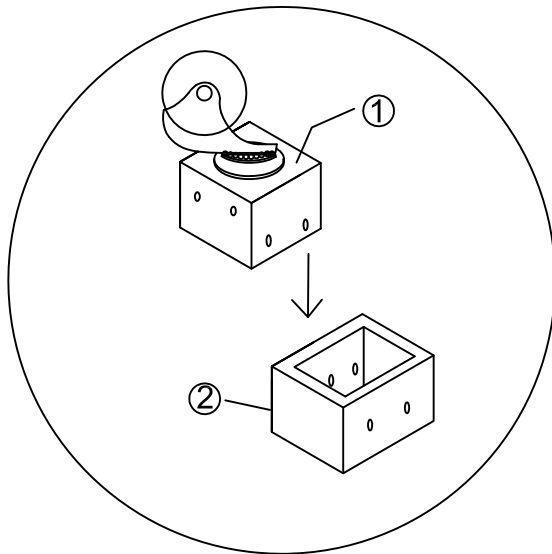


Step 1: Unscrew assembly hardware.

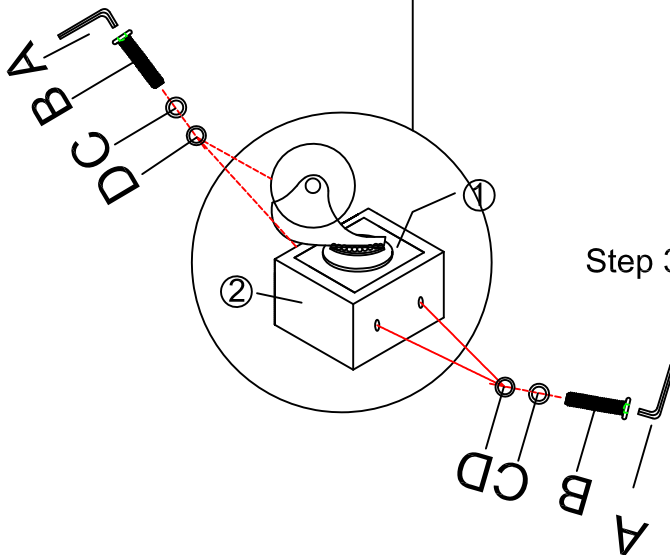
ASSEMBLY INSTRUCTION

ITEM: 5751-80110-15 Tevis Bluff Cocktail Table
5751-80110-45 Cocktail Table
5751-80110-80 Hillbrandt Cocktail Table

Thank you for purchasing this quality product. Be sure to unpack carefully looking for small parts which may have come loose during shipment.
Read all instruction and study the drawing carefully before starting the assembly process.



Step 2:
Turn caster block 90° to
location of 1" height.



Step 3: Align the holes and tighten up block.