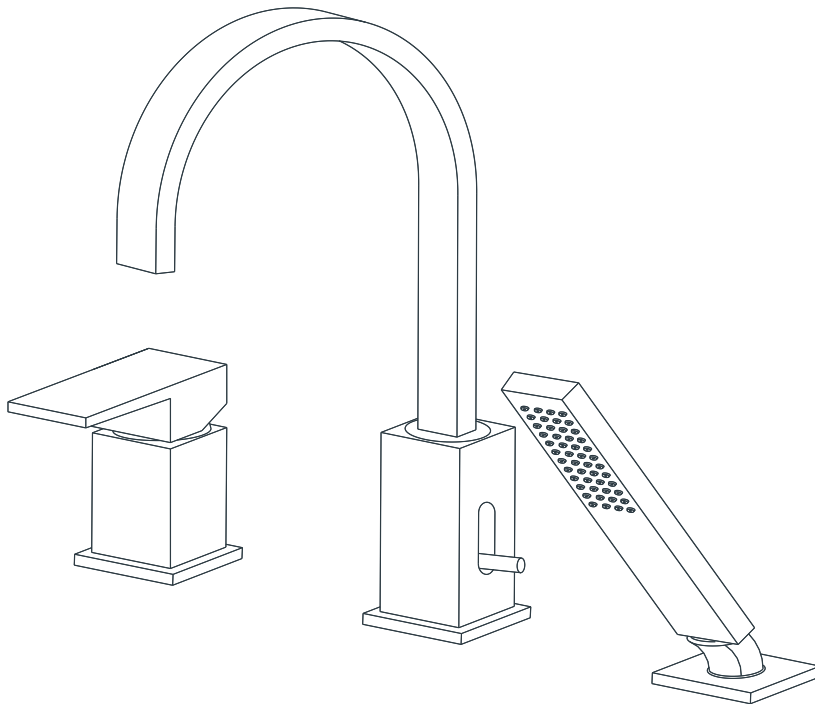


ANZZI®

ITEM:FR-AZ437**
ANZZI Deck Mount Tub Filler
INSTALLATION & OPERATION MANUAL

V2.0
06/30/2022



DON'T WAIT! REGISTER NOW!

Register your product within 90 days to ensure your product is recognized as an official purchase and is eligible for warranty coverage.

Mail in the completed registry card (Pg. 2) or register online at www.swcorp.com/register.



PRODUCT REGISTRATION*

IMPORTANT: YOUR WARRANTY WILL NOT BE RECOGNIZED UNLESS THIS CARD IS FULLY COMPLETED AND RETURNED OR ONLINE REGISTRATION IS COMPLETED.

To ensure that your warranty is registered and confirmed please do one of the following:

1. Register online at www.swcorp.com/register. You will be asked to fill out the same information you would in the registration card. Registering online is fast, secure and ensures we receive your information.
2. Complete, cut out and mail the registration card below. By returning this registration card we confirm the date of purchase for your new product. This confirmation will allow us to process any warranty claims.

Mail the card to: 5701 NW 35 Avenue, Miami, FL 33142



Product Registration Card

Name..... Address

City..... State..... Zip.....

Phone..... Email.....

Date of Purchase Order or Purchase # SKU or Model #

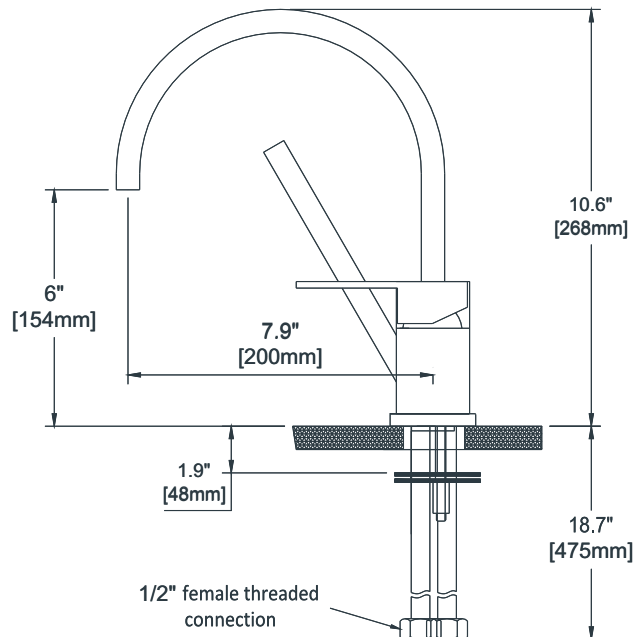
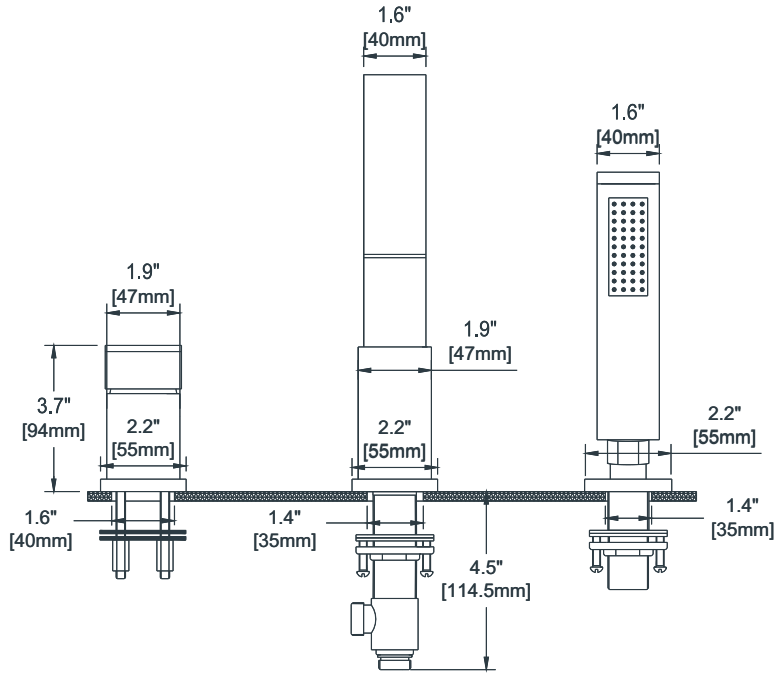
Installer's Name Phone

I have read the Owner's Manual carefully and understand and agree that any installation, operation or maintenance of the product must be done strictly in accordance with instructions and guidelines contained in the owner's manual and installation guide.

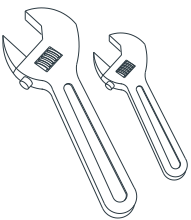
Signature..... Date.....

Need help? For technical support call 305-614-4070 or visit us at www.ANZZI.com

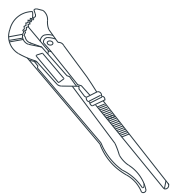
PRODUCT SIZE CHART



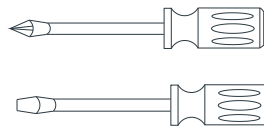
TOOLS



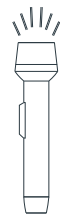
Wrench



Adjustable Pliers

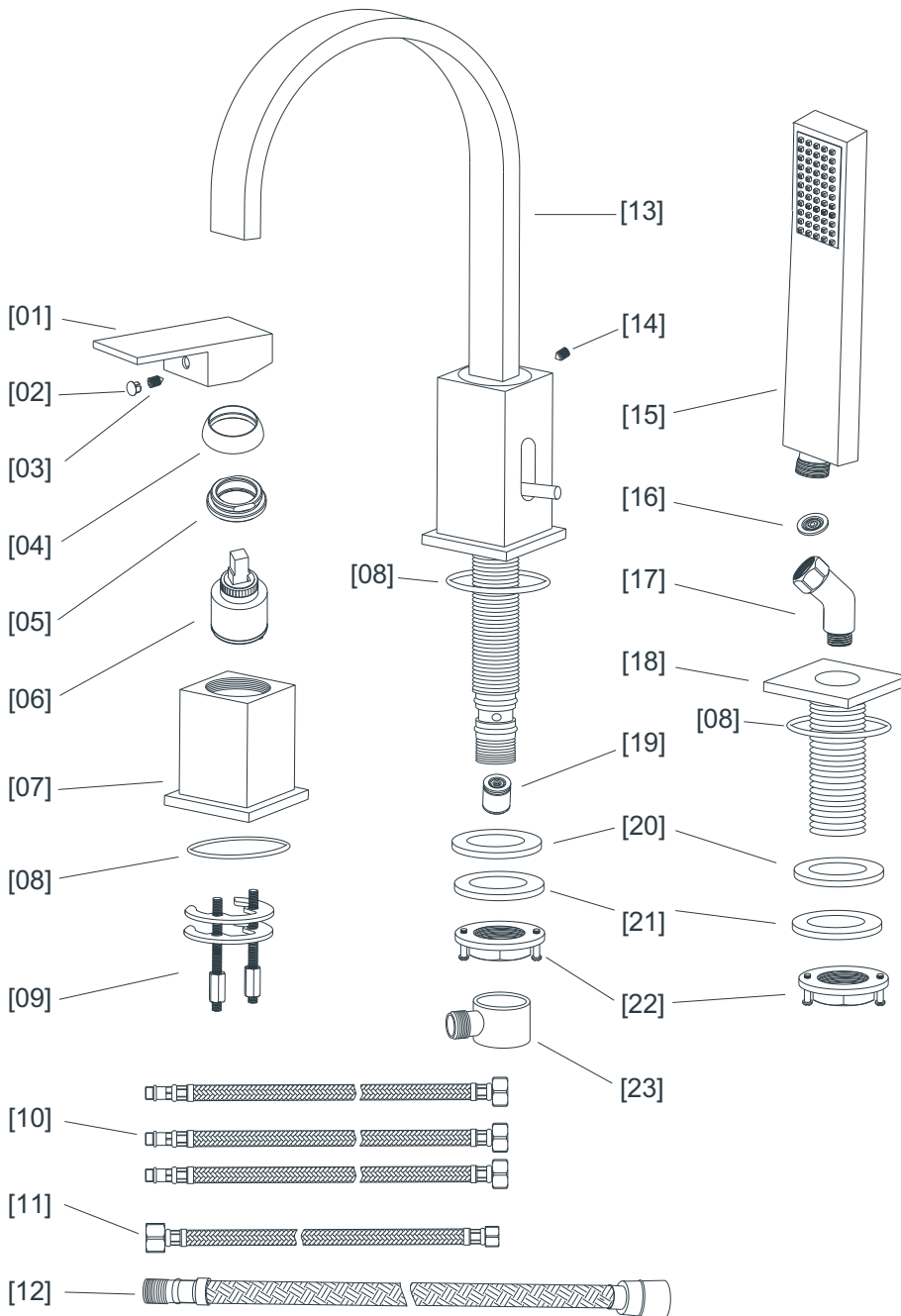


Screwdriver



flashlight

COMPONENT

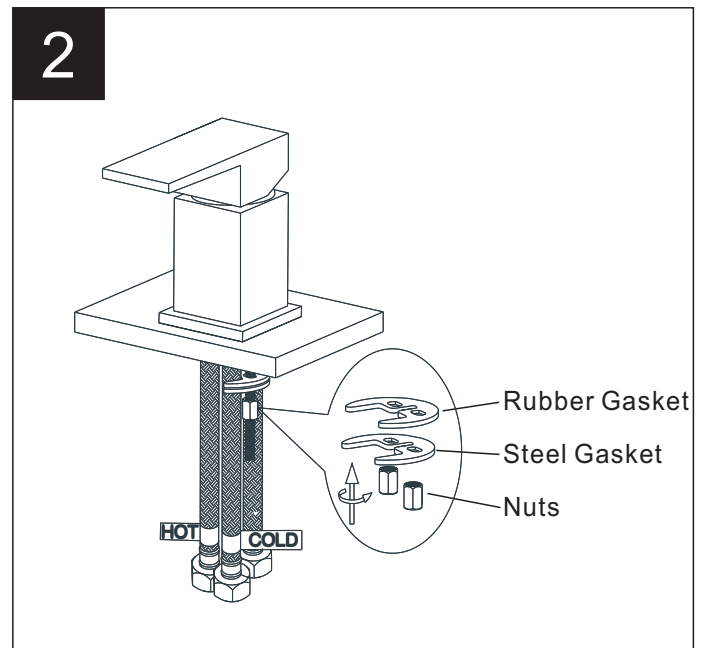
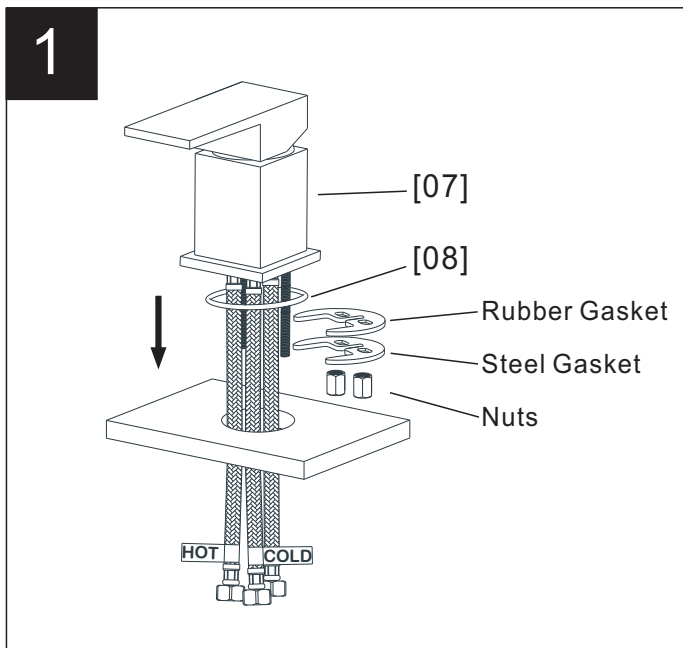


Part	Discription	Qty
[01]	Handle	1
[02]	Cap	1
[03]	Screw	1
[04]	Cover	1
[05]	Retainer	1
[06]	Cartridge	1
[07]	Body	1
[08]	O Ring	3
[09]	Fixing Kit	1
[10]	Hose	3
[11]	Extension Hose	1
[12]	Shower Hose	1
[13]	Spout	1
[14]	Screw	1
[15]	Hand Shower	1
[16]	Flow Restrictor	1
[17]	Connector	1
[18]	Shower Holder	1
[19]	Check Valve	1
[20]	Rubber Gasket	2
[21]	Steel Gasket	2
[22]	Lock Nut	2
[23]	Connector	1

Before installation:

1. Please check that all components are present.
2. Ensure that all supply lines are free of debris with supply stops installed.
3. Ensure water pressure is between 20-125 PSI.
4. If you are having difficuties on installation, please contact a professional plumber.

INSTALLATION

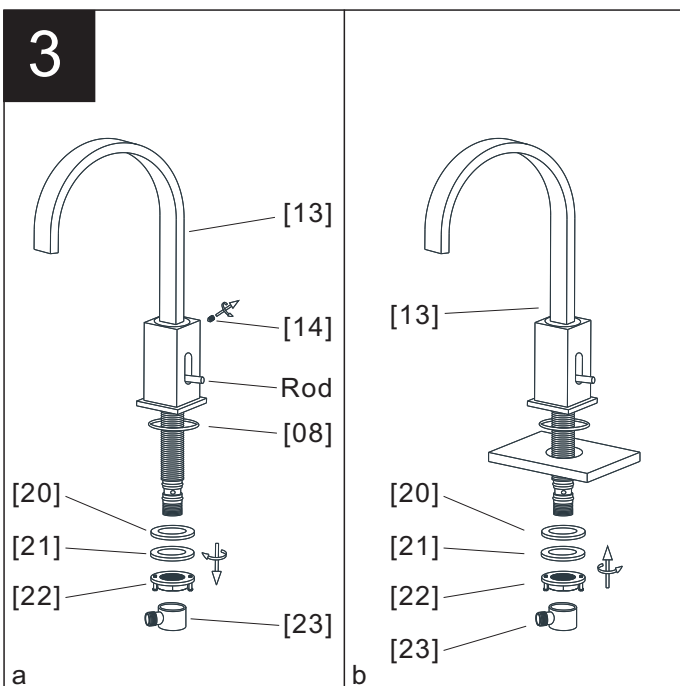


STEP 1:

- Remove **Rubber Gasket, Steel Gasket** and **Nuts**.
- Install **Body [07]** through the deck hole on the left.
Note: Make sure there is a **O Ring [08]** under the **Body [07]**.

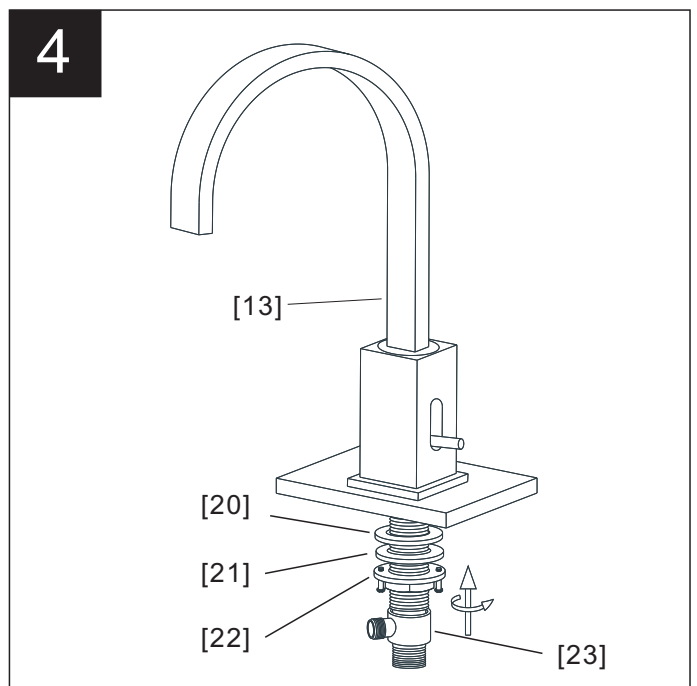
STEP 2:

- Slide the **Rubber Gasket** and **Steel Gasket** up onto **Body [07]** from under the deck and secure with **Nuts**.
- Adjust the position of **Body [07]**. Hand tighten the **Nuts** and tighten with wrench to secure the **Body [07]**.



STEP 3:

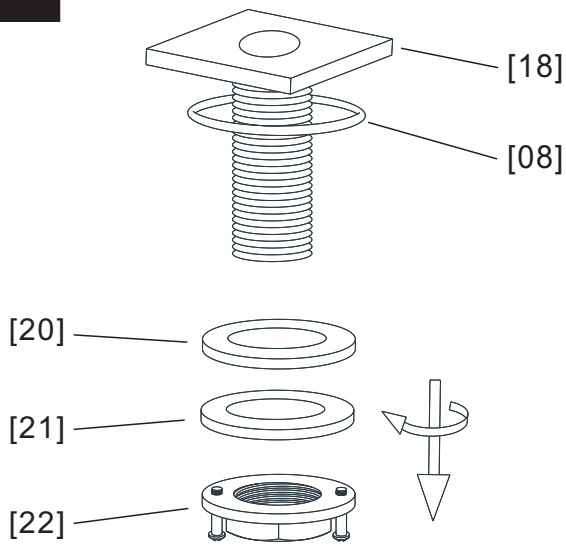
- Adjust the **Spout [13]** so that the **Rod** at the right. Tighten the **Screw [14]** to secure the **Spout [13]**.
- Remove **Gasket [20], Steel Gasket [21], Lock Nut [22]** and **Connector [23]** from the shank.
- Install **Spout [13]** through the deck hole in the middle.
Note: Make sure there is a **O Ring [08]** under the **Spout [13]**.



- Slide the **Gasket [20], Steel Gasket [21]** up onto **Spout [13]** from under the deck and secure with **Lock Nut [22]**.
- Adjust the position of **Spout [13]**. Hand tighten the **Lock Nut [22]** and tighten with screwdriver to secure the **Spout [13]**.
- Install **Connector [23]** to the shank. Hand tighten it. Unscrew the **Connector [23]** so that the outlet pointed to the left. **DO NOT** unscrew the **Connector [23]** over one turn, otherwise it may leaks.

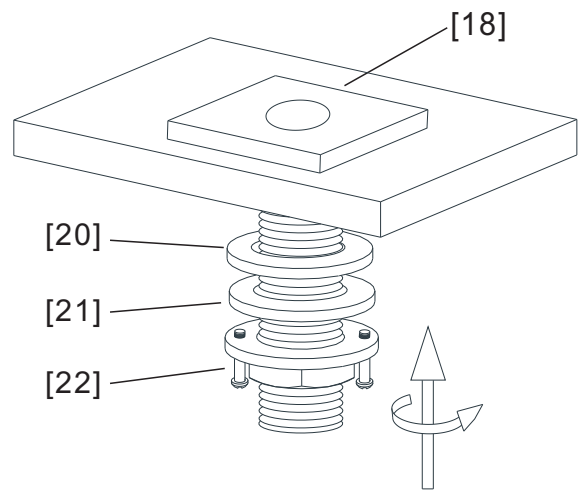
INSTALLATION

5



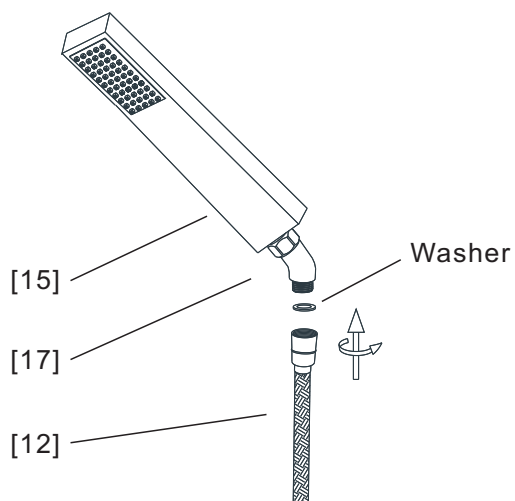
STEP 5:
Remove the **Gasket [20]**, **Steel Gasket [21]**,
LOCK Nut [22] from the **Shower Holder [18]**.

6



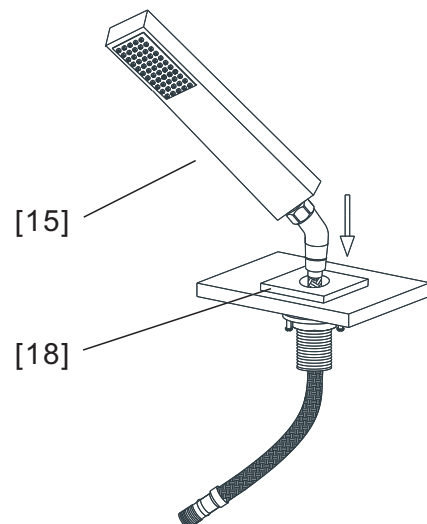
STEP 6:
a. Install the **Shower Holder [18]** through the deck hole
on the right.
b. Slide the **Gasket [20]** and **Steel Gasket [21]**
up onto **Shower Holder [18]** from under the deck
and secure with **Lock Nut [22]**.
c. Adjust the position of **Shower Holder [18]**. Hand
tighten the **Lock Nut [22]** and tighten with
screwdriver to secure the **Shower Holder [18]**.

7



STEP 7:
Connect **Hand Shower [15]** and **Shower Hose [12]**.
Note: Make sure there is **Washer** between **Connector [17]** and **Shower Hose [12]**.

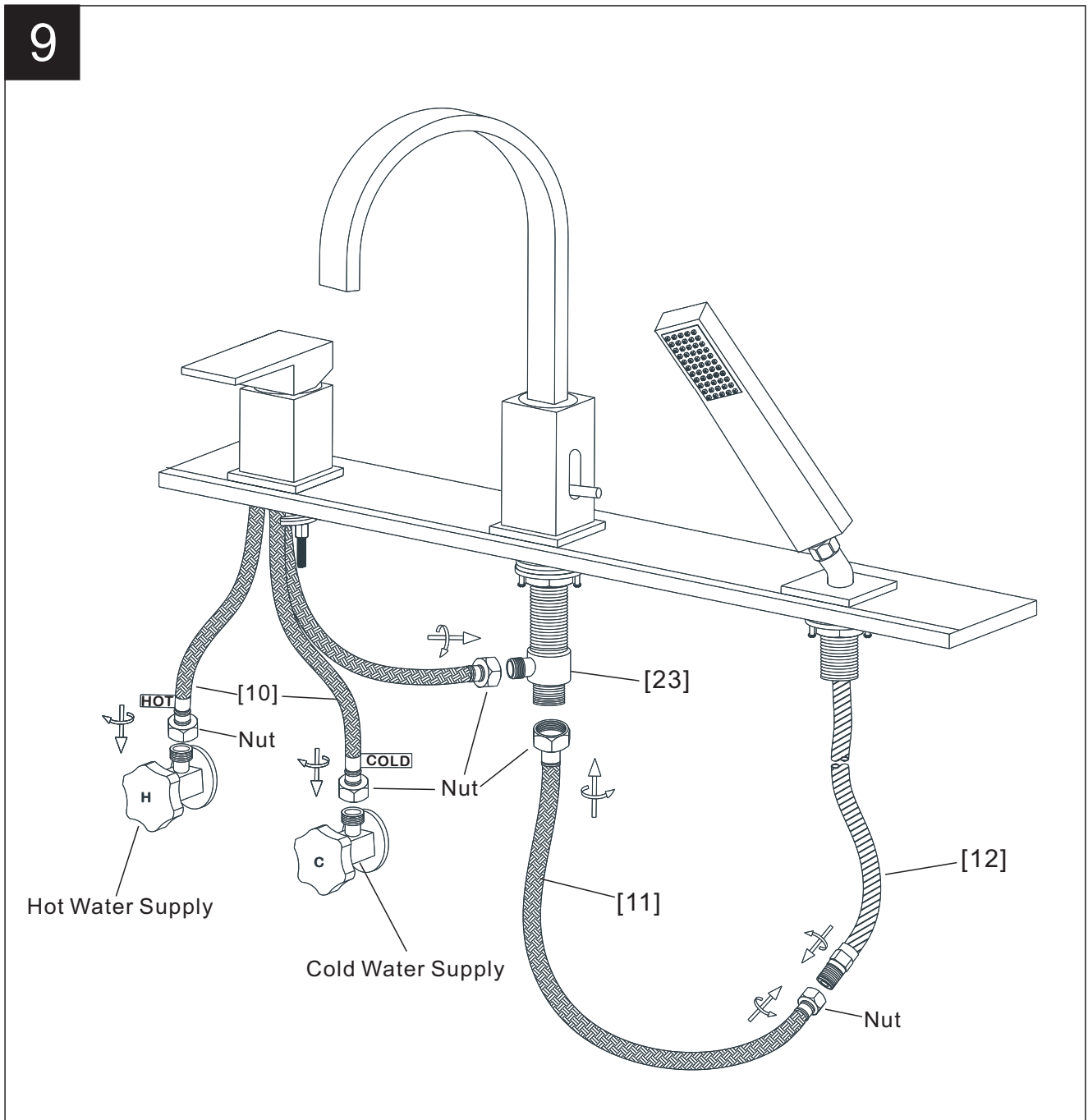
8



STEP 8:
Slide the **Shower Hose [12]** from above the
Shower Holder [18].

INSTALLATION

9



STEP 9:

- Turn on the supply stop valves for 30s to 1 min to flush the debris in the supply lines. Turn off the supply stop valves again.
- Connect the **Hot Labeled Hose [10]** to the **Hot Water Supply**, **Cold Labeled Hose [10]** to the **Cold Water Supply**. Tighten the **Nuts** with wrench. **DO NOT OVER TIGHTEN.**
- Connect the third **Hose [10]** to the **Connector [23]**. Tighten the **Nuts** with wrench. **DO NOT OVER TIGHTEN.**
- Connect the **Extension-Hose [11]** to the shank of the **Spout [13]** from under the deck. Tighten the **Nuts** with wrench. **DO NOT OVER TIGHTEN.**
- Connect the **Shower Hose [12]** with the **Extension-Hose [11]** from under the deck. Tighten the **Nuts** with wrench. **DO NOT OVER TIGHTEN.**
- Turn on the supply stop valves and check connections for leaks. Retighten if necessary, but **DO NOT OVER TIGHTEN.**

CLEANING & MAINTENANCE

1. To preserve the finish on the metallic parts of your ANZZI faucet, apply non-abrasive wax, such as car wax. Any cleaners should be rinsed off immediately.
2. Clean the flow regulator regularly for calcium build up or any blockage that reducing water flow.

