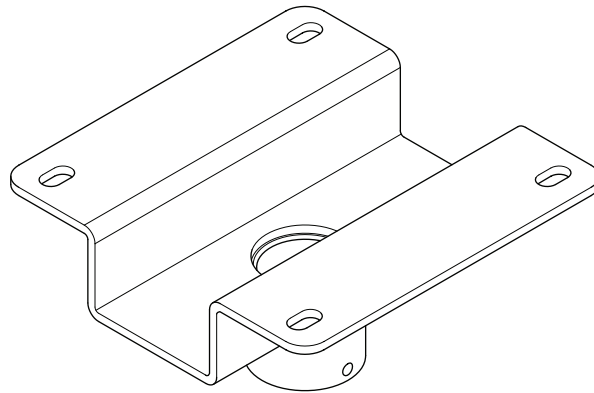


# SANUS | VISIONMOUNT

## VMCA9

(6901-100067 <01>)



Thank you for choosing the VisionMount VMCA9 ceiling plate. The VMCA9 ceiling plate is designed to attach to an NPT 1-1/2 in. threaded pipe. The VMCA9 will support a maximum weight of 226.8 kg (500 lbs).

### CAUTION

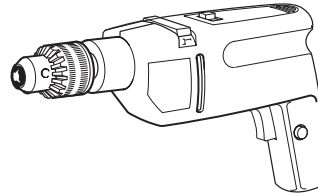
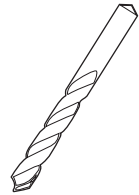
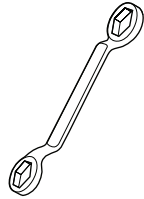
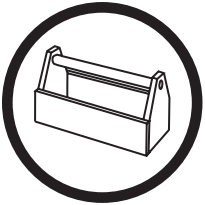
Do not use this product for any purpose not explicitly specified by Sanus Systems. Improper assembly may cause property damage or personal injury. If you do not understand these directions, or have doubts about the safety of the assembly, contact Sanus Systems Customer Service or call a qualified contractor. Sanus Systems is not liable for damage or injury caused by incorrect assembly or use.

### CAUTION

Improper installation may result in serious injury! The ceiling structure and mounting hardware (not included) must be capable of supporting up to five times the weight of the A/V equipment and mount combined. If you have any doubts about the ability of the ceiling to support the installation, contact Sanus Systems Customer Service, or a qualified contractor.

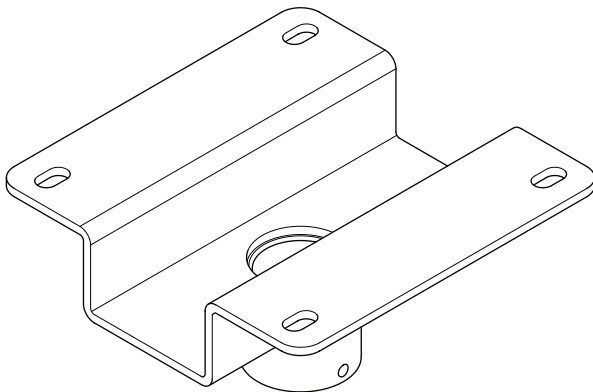
### WARNING

**This product contains small items that could be a choking hazard if swallowed. Keep these items away from young children!**

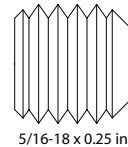


## Supplied Parts and Hardware

Before starting assembly, verify all parts are included and undamaged. If any parts are missing or damaged, do not return the item to your dealer; contact Sanus Systems Customer Service. Never use damaged parts!

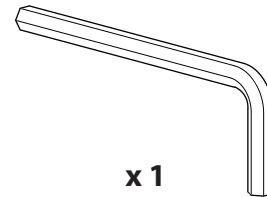


x 1

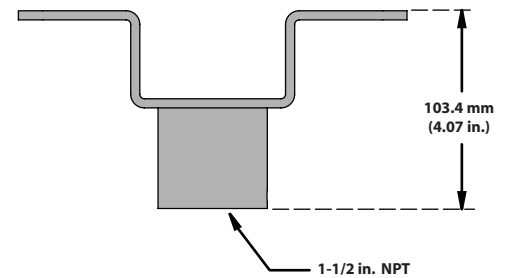
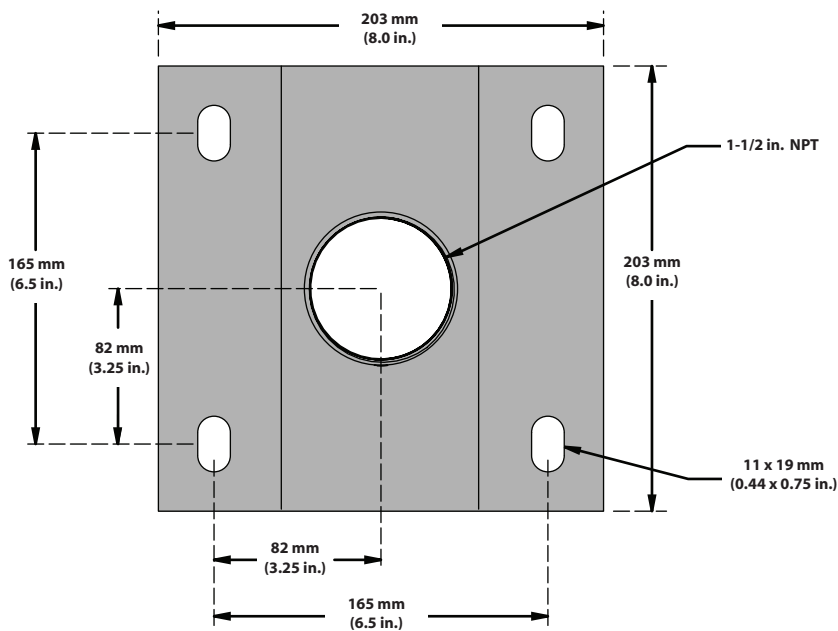


5/16-18 x 0.25 in.

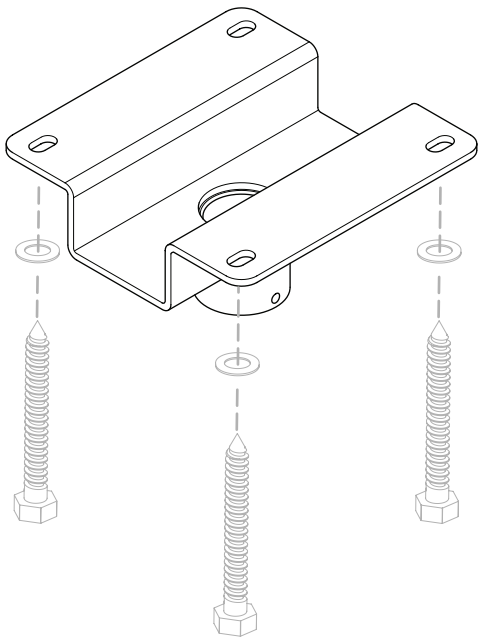
x 1



x 1



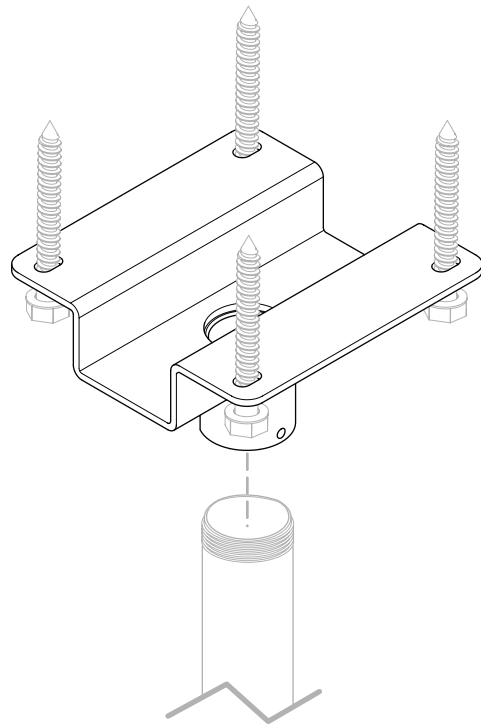
1



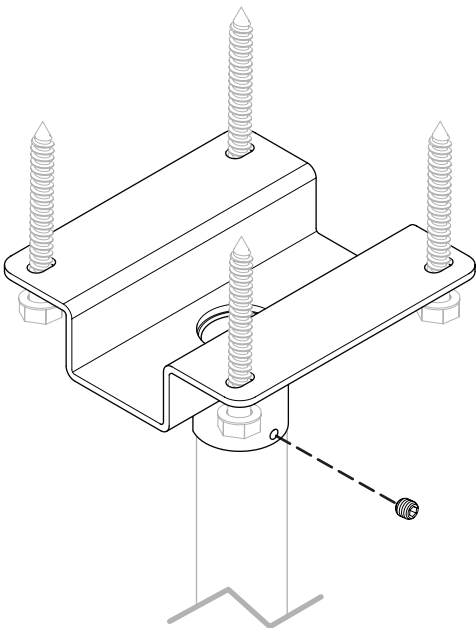
**CAUTION**

Avoid potential injuries and / or property damage!  
Be sure to use the correct mounting hardware ( not included) for your ceiling structure.

2



3



Milestone AV Technologies, Inc. and its affiliated corporations and subsidiaries (collectively, "Milestone"), intend to make this manual accurate and complete. However, Milestone makes no claim that the information contained herein covers all details, conditions, or variations. Nor does it provide for every possible contingency in connection with the installation or use of this product. The information contained in this document is subject to change without notice or obligation of any kind. Milestone makes no representation of warranty, expressed or implied, regarding the information contained herein. Milestone assumes no responsibility for accuracy, completeness or sufficiency of the information contained in this document.

6901-100067 <01>