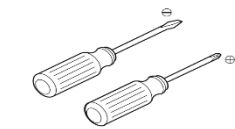


PREPARATION

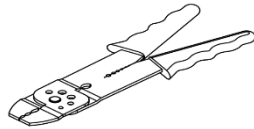
1. Record your model number for future reference.
2. **DANGER: Risk of electric shock.** To avoid electric shock, the power must be turned off at the circuit breaker or fuse box before beginning the installation procedure.
3. **DANGER: Risk of electric shock.** To avoid electric shock, the outlet box must be properly grounded.
4. **Important Information.** Inspect the product for any damage. This product is for indoor use only. Observe all local codes.

Please see next page for a larger installation image

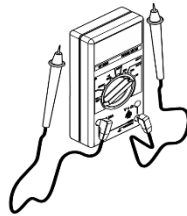
TOOLS AND MATERIALS NEEDED



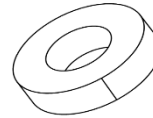
Phillips &
Flathead Screwdriver



Wire
Cutter/Stripper



Electrical Current
Tester



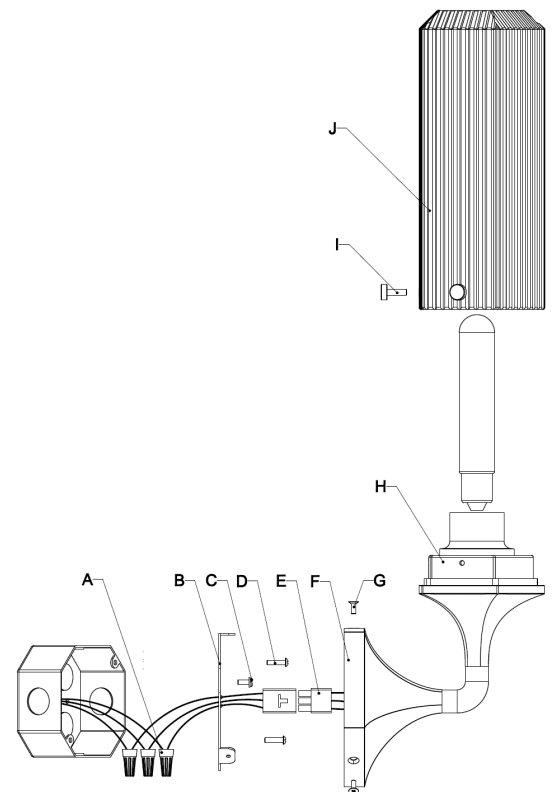
Electrical
Tape



Allen
Wrench

FIXTURE INSTALLATION

1. Remove the fixture and parts bag(s) from the carton. Put them onto a clean and soft cloth to protect finish. Confirm all parts are included.
2. Loosen screws (G) and then remove mounting plate (B) from canopy (F).
3. Attach mounting plate (B) onto outlet box with screws (D). Ensure ground screw (C) is attached to mounting plate (B).
4. Lift fixture and lace safety cord (K) around mounting plate (B), then secure set screw (L) with Allen wrench (**for SKUs 31776 & 31778 only**).
5. **NOTICE:** To avoid short circuit, make sure wires are not exposed. Fasten fixture green or bare ground wire to the green or bare copper wire in outlet box with wire nut (A) or fasten onto ground screw (C) on mounting plate.
6. **NOTICE:** To avoid short circuit, make sure wires are not exposed. Fasten fixture white wire to the white wire in outlet box with wire nut (A). Wrap the wire connector with electrical tape so that the tape seals the end of wire nut (A). See diagram 1.
7. **NOTICE:** To avoid short circuit, make sure wires are not exposed. Fasten the fixture black wire to the black wire in outlet box with wire nut (A). Wrap the wire connector with electrical tape so that the tape seals the end of wire nut (A). See diagram 1.
8. Insert quick connector (E) into the opposing quick connector end.
9. Tuck wires carefully inside outlet box. Attach the canopy (F) onto mounting plate (B) with screws (G).
10. **NOTICE:** Do not exceed recommended wattage. Rated **Max 60W, E26 Type T**. (Bulb(s) not included).
11. Install bulb to the socket.
12. Install glass shade (J) onto holder (H) with screws (I).
13. Repeat step 9-11 for all remaining glass shades.
14. Restore power to circuit at breaker or fuse box.



CLEANING: Please clean fixture with a soft and dry cloth ONLY. Clean glass with a mild soap.

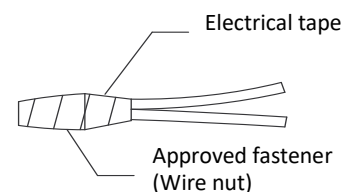
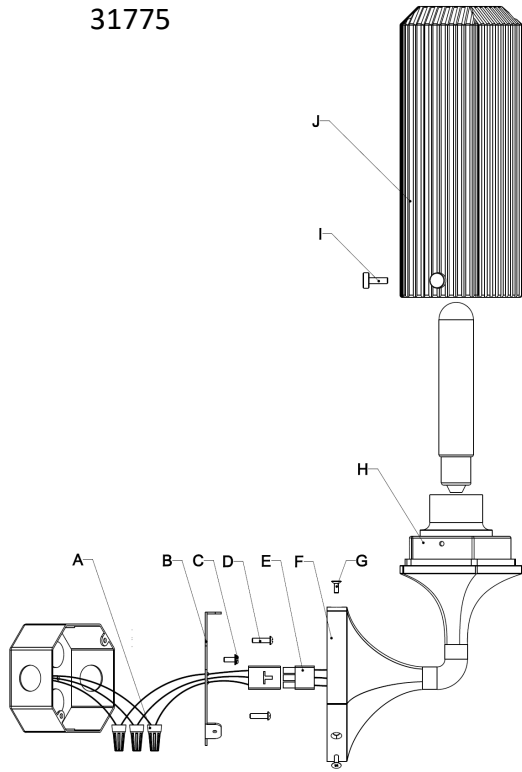
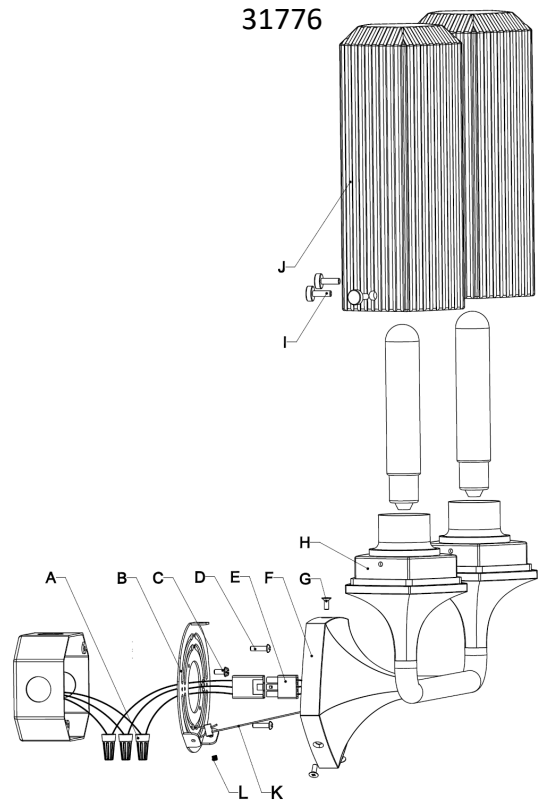


Diagram 1

31775



31776



31778

