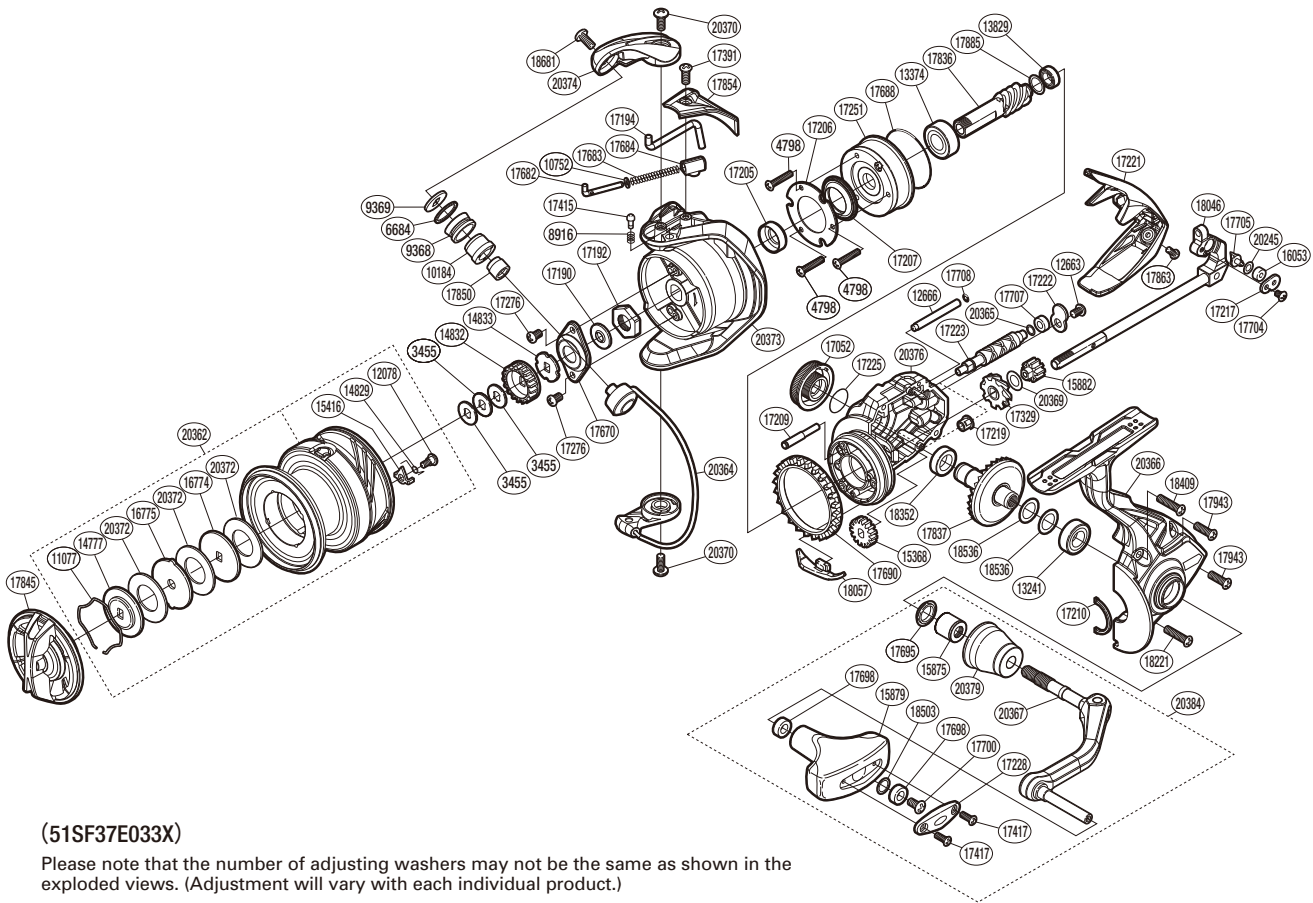


SHIMANO

SPHEROS S A-RB

SPC3000HGSW



(51SF37E033X)

Please note that the number of adjusting washers may not be the same as shown in the exploded views. (Adjustment will vary with each individual product.)

Part No.	Description	Part No.	Description	Part No.	Description
RD 3455	Spool Washer	RD17205	Rotor Ring	RD17836	Pinion Gear
RD 4798	Screw	RD17206	Roller Clutch Reinforce	RD17837	Drive Gear Assembly
RD 6684	Line Roller Spacer	RD17207	Roller Clutch Water Proof	RD17845	Drag Knob Assembly
RD 8916	Click Spring	RD17209	Idle Gear B Shaft	RD17850	Line Roller Collar
RD 9368	Line Roller	RD17210	Flange Water Proof	RD17854	Bail Spring Cover
RD 9369	Line Roller Washer	RD17217	Oscillating Pawl Cover	RD17863	Screw
RD10184	Line Roller Bushing	RD17219	Worm Bushing (Front)	RD17885	Washer
RD10752	Bail Spring Guide A Support	RD17221	Rear Protector	RD17943	Screw
RD11077	Drag Washer Retainer	RD17222	Worm Shaft Retainer	RD18046	Main Shaft Assembly
RD12078	Screw	RD17223	Worm Shaft	RD18057	Bail Trip Strike
RD12663	Screw	RD17225	O Ring	RD18221	Screw
RD12666	Oscillating Guide A	RD17228	Handle Knob I.D. Plate	RD18352	Bushing
RD13241	Ball Bearing	RD17251	Roller Clutch Assembly	RD18409	Screw
RD13374	Ball Bearing	RD17276	Screw	RD18503	Washer
RD13829	Ball Bearing	RD17329	Idle Gear B Large	RD18536	Washer
RD14777	Key Washer	RD17391	Screw	RD18681	Screw
RD14829	Drag Click Spring	RD17415	Click Pin	RD20245	Washer
RD14832	Spool Support A	RD17417	Screw	RD20362	Spool Assembly
RD14833	Spool Support B	RD17670	Rotor Nut Lock Plate	RD20364	Bail Assembly
RD15368	Idle Gear	RD17682	Bail Spring Guide	RD20365	Washer
RD15416	Drag Click	RD17683	Bail Spring	RD20366	Side Cover Assembly
RD15875	Handle Shaft Cover B	RD17684	Bail Spring Guide B	RD20367	Handle Shank Assembly
RD15879	Handle Knob	RD17688	O Ring	RD20369	Washer
RD15882	Idle Gear B Small	RD17690	Friction Ring	RD20370	Screw
RD16053	Oscillating Slider Bushing	RD17695	Handle Shaft Seal	RD20372	Drag Washer
RD16774	Key Washer	RD17698	Handle Knob Bushing	RD20373	Rotor
RD16775	Eared Washer	RD17700	Screw	RD20374	Bail Arm
RD17052	Handle Screw Cap	RD17704	Screw	RD20376	Body
RD17190	Bearing Water Proof	RD17705	Oscillating Pawl	RD20379	Handle Shaft Cover
RD17192	Rotor Nut	RD17707	Worm Bushing (Rear)	RD20384	Handle Assembly
RD17194	Bail Trip Lever	RD17708	O Ring		