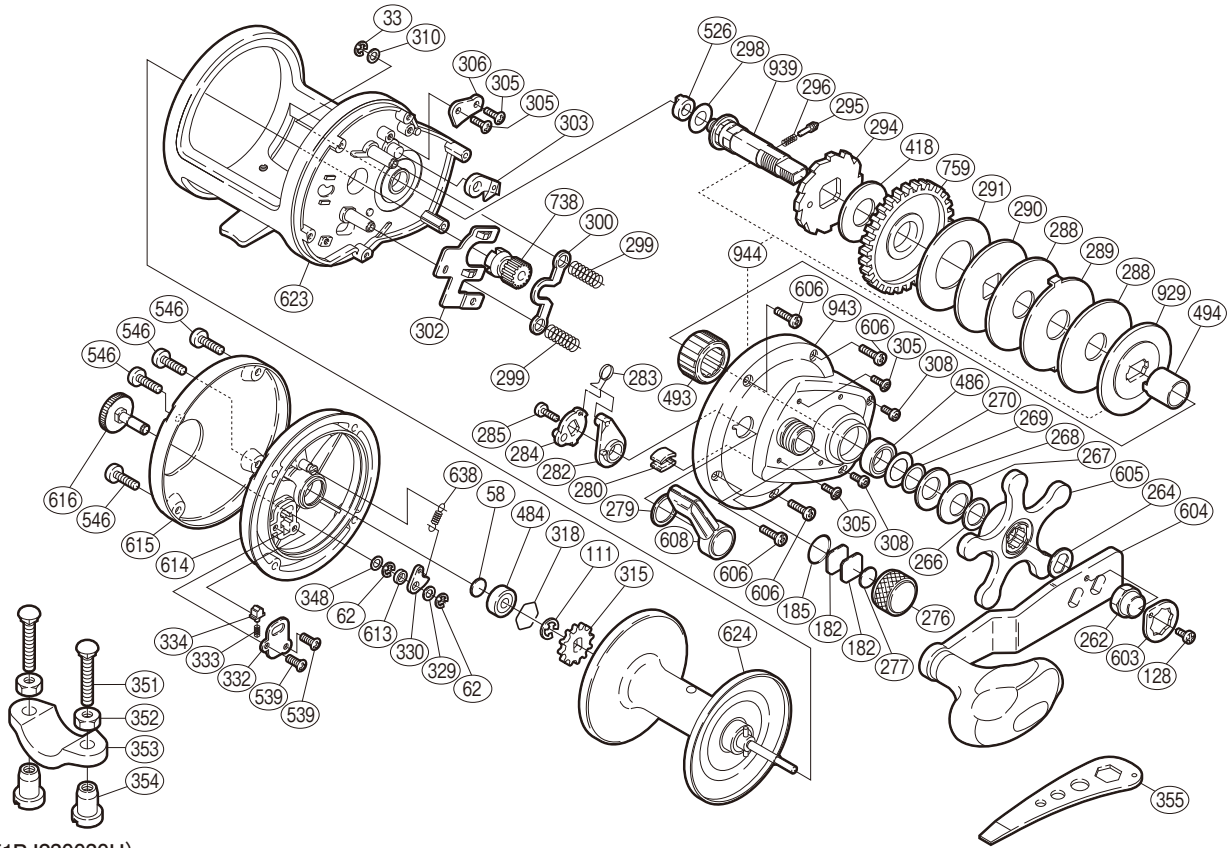


SHIMANO

TORIUM

TOR-30



(51RJ230030U)

#	Part No.	Description	#	Part No.	Description	#	Part No.	Description
33	105NG	Drive Shaft Retainer	295	109ZZ	Click Pin	603	10LMC	Handle Nut Plate
58	10GEU	Spacer B	296	10HZ5	Click Spring	604	10B1T	Handle Assembly
62	105NK	Click Pawl Retainer	298	10588	Drive Shaft Washer (B)	605	10HMS	Star Drag
111	105NJ	Click Gear Retainer	299	104BY	Yoke Spring	606	10L9S	Right Side Plate Screw (A)
128	10QG0	Handle Nut Plate Screw	300	10481	Yoke	608	10LYV	Clutch Lever
182	105N0	Cast Control Spacer (A)	302	1045E	Yoke Plate	613	104TU	Click Pawl Spacer
185	109EB	O Ring	303	10MWB	Anti-Reverse Pawl	614	10504	Left Side Plate
262	10FT1	Handle Nut	305	103CK	Multi-Purpose Screw	615	10NXG	Left Side Plate Cover
264	107QQ	Drive Shaft Shield	306	10KNW	Anti-Reverse Pawl Keeper	616	10LGX	Click Button
266	10BR3	Star Drag Washer	308	10LSK	Right Side Plate Screw (D)	623	10K88	One-Piece Frame
267	10EW2	Drag Spring Washer (9l)	310	107R0	Drive Shaft Washer (A)	624	10NPL	Spool Assembly
268	10529	Drag Spring Washer (9h)	315	104F1	Click Gear	638	10NRS	Click Pawl Spring
269	105PY	Bearing Thrust Washer	318	10GGM	Bearing Retainer	738	10AHD	Pinion Gear
270	109R6	Bearing Seal	329	109RC	Spacer (B)	759	109DF	Drive Gear
276	10KTA	Cast Control Cap	330	10GQR	Click Pawl	929	10D4P	Key Washer
277	10896	Cast Control Spacer (B)	332	104B6	Click Spring Retainer	939	10997	Drive Shaft
279	10JYS	Smoother	333	104MT	Click Spring	943	10HKG	Right Side Plate
280	106K5	Line Clip	334	104B8	Click Spring Holder	944	10HKK	Upgrade Assembly
282	10L29	Eccentric Cam Bushing	348	109RE	Spacer (C)			
283	10JYU	Clutch Spring	418	10CL1	Drag Washer (A)	351	10A7A	Rod Clamp Bolt (accessory)
284	1084F	Clutch Cam	484	10KAD	Ball Bearing	352	105N9	Rod Clamp Nut (B) (accessory)
285	10F8M	Clutch Lever Screw	486	10KX6	Ball Bearing	353	10AR5	Rod Clamp (accessory)
288	10L89	Drag Washer (D)	493	10F5B	Roller Clutch Bearing	354	1046P	Rod Clamp Nut (A) (accessory)
289	10LBD	Eared Washer (E)	494	10BQ1	Roller Clutch Inner Tube			
290	10L4Z	Key Washer (C)	526	10BPW	Drive Shaft Bushing	355	10MJ2	Wrench (accessory)
291	10D35	Drag Washer (B)	539	10QG5	Click Spring Retainer Screw			
294	10D9M	Anti-Reverse Ratchet	546	10L9T	Left Side Plate Screw			

Please note that the number of adjusting washers may not be the same as shown in the exploded views.
(Adjustment will vary with each individual product.)

(241029)_002