

Student Desk



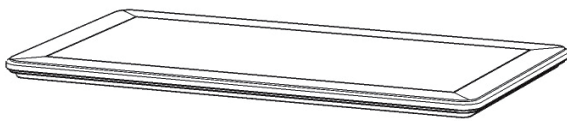
IMPORTANT

Carefully remove all the parts from the carton and place them individually on a soft cloth to prevent scratches or other damage.

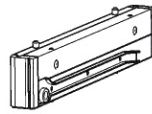
Carefully and strictly follow these assembly instructions to ensure a completed product as designed.

Do not use power tools above 8 volts to assemble.

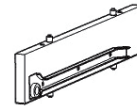
Part List



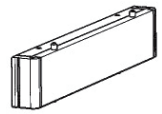
A.
Top
1 pc.



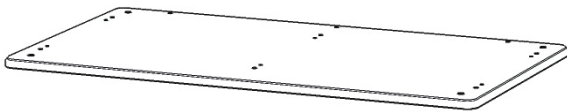
D.
Side Panel
1 pc.



E.
Middle Panel
1 pc.



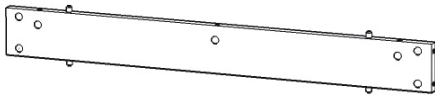
F.
Side Panel
1 pc.



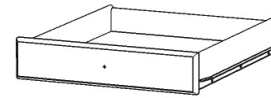
B.
Base
1 pc.



G.
Leg
4 pcs.



C.
Back Panel
1 pc.

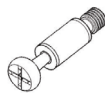


H.
Drawer
2 pcs.
Refer to later page(s) of these instructions for drawer assembly.

Hardware List



Hex Wrench
1 pc.



Cam Lock Screw
13 pcs. (+1 extra)



M6x32
Head Cap Bolt
9 pcs. (+1 extra)



Spring Washer
9 pcs. (+1 extra)



Flat Washer
9 pcs. (+1 extra)



Small Hex Wrench
1 pc.



Cam Lock
13 pcs. (+2 extra)



M3.5x25
Wood Screw
16 pcs. (+1 extra)



M4x25
Machine Screw
2 pcs.



Knob
2 pcs.

Tool(s) required for assembly: Phillips screwdriver, Level

Assembly Instructions 2/5

IMPORTANT

- Use a soft cloth between these parts and the floor.
- Do not use power tools above 8 volts to assemble.
- Do not tighten all the bolts until each part is properly assembled.
- The unit must be level to work properly. Use the included adjustable levelers to level.
- Keep Hex Wrench as the bolts may need to be tightened in the future.

STEP 1

Place Top (A) and Side Panels (D), (F) on a soft cloth.

Insert Cam Lock Screws into pre-drilled holes in Top (A) and Side Panels (D), (F), then tighten. (See Figure 1)

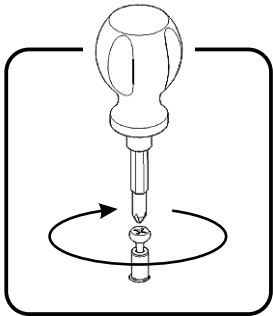
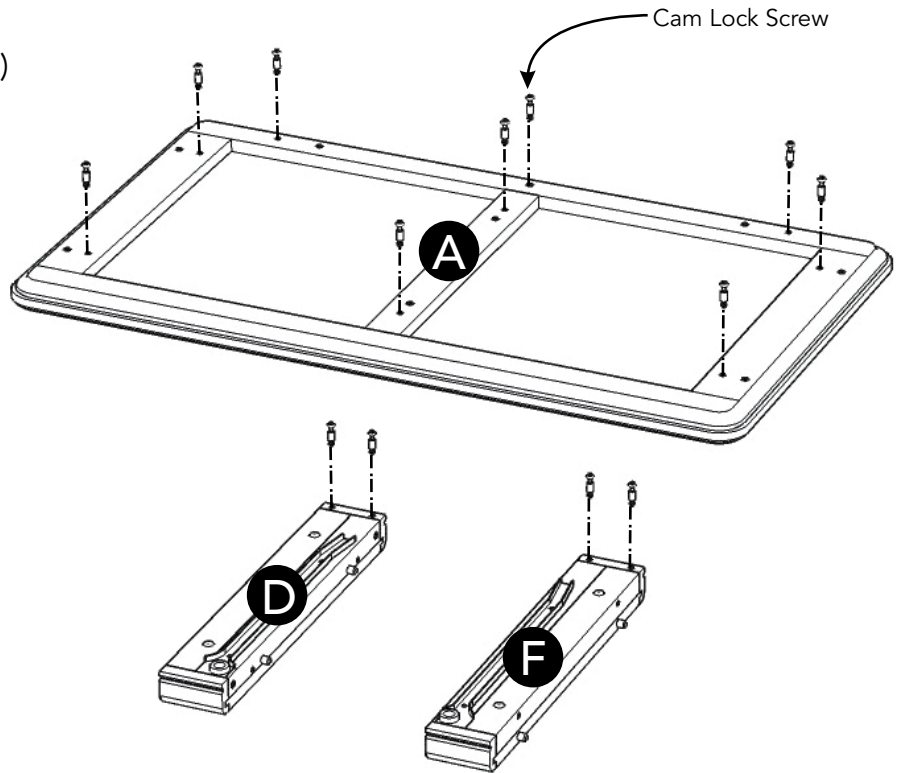
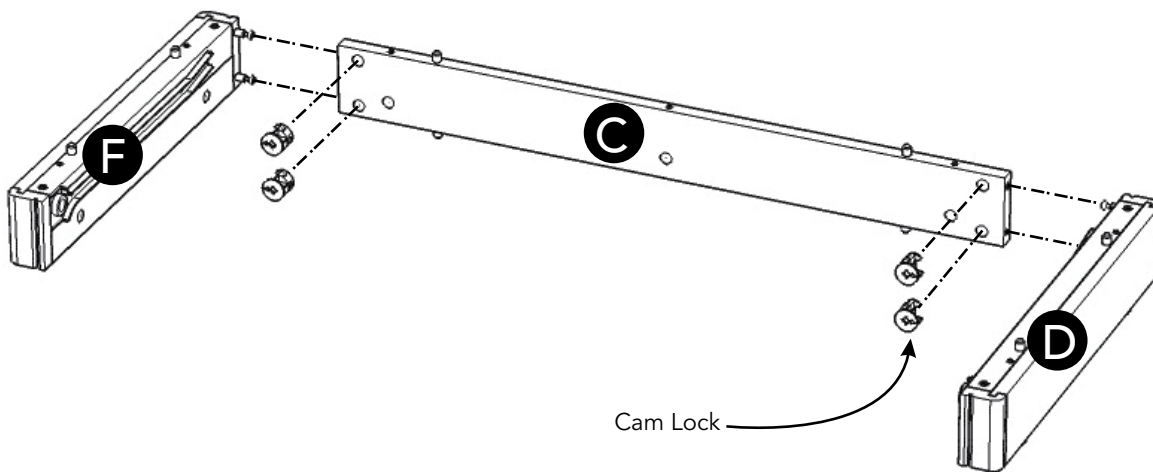


Figure 1



STEP 2

Attach Side Panels (D) and (F) to Back Panel (C) with Cam Locks. (See Figure 2)

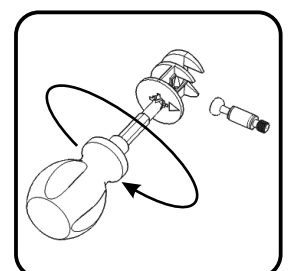


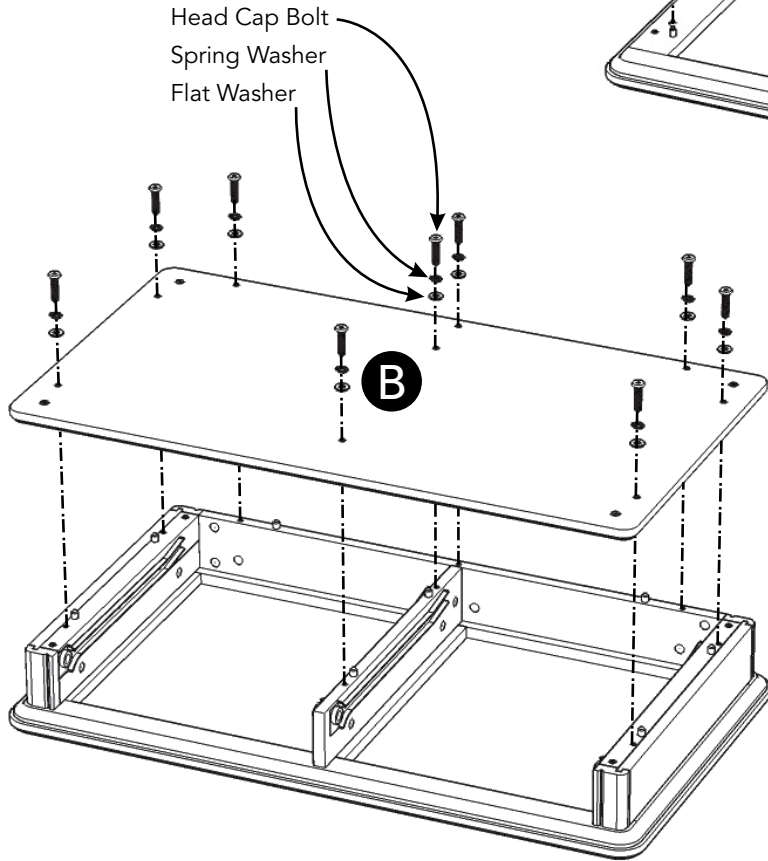
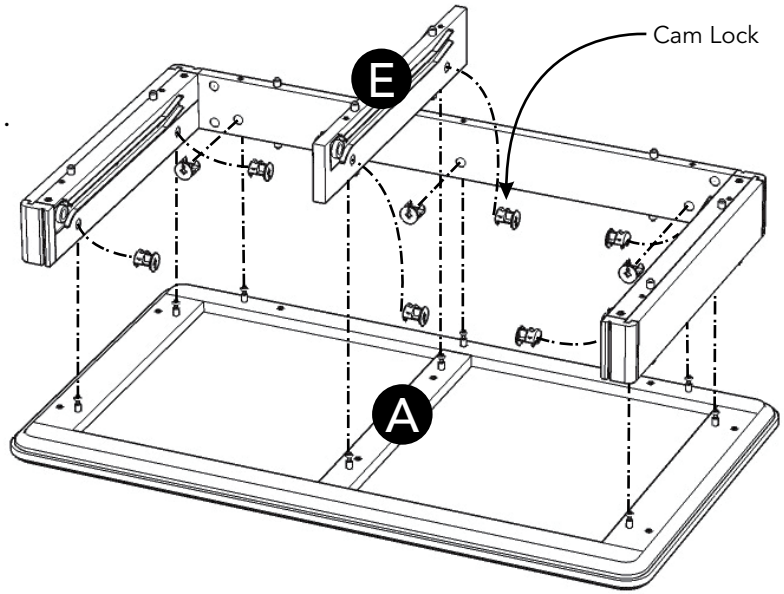
Figure 2

Assembly Instructions 3/5

STEP 3

Place Top (A) upside down on a soft cloth.

Attach unit and Middle Panel (E) to Top (A) with Cam Locks.



Head Cap Bolt
Spring Washer
Flat Washer

STEP 4

Attach Base (B) to unit with Flat Washers, Spring Washers and Head Cap Bolts. (See Figure 3)

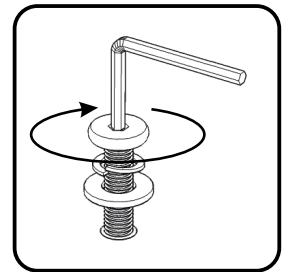
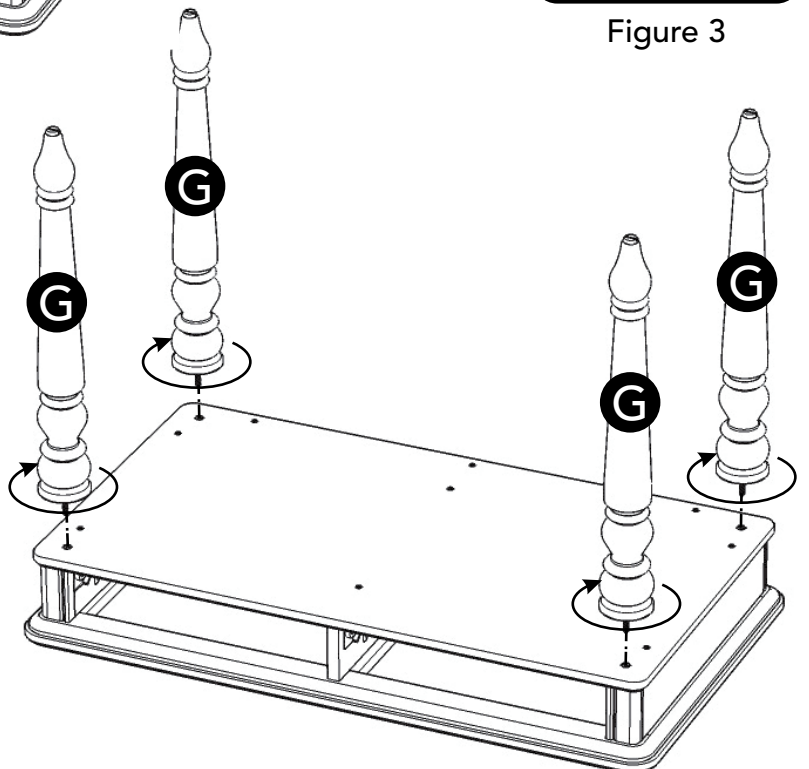


Figure 3

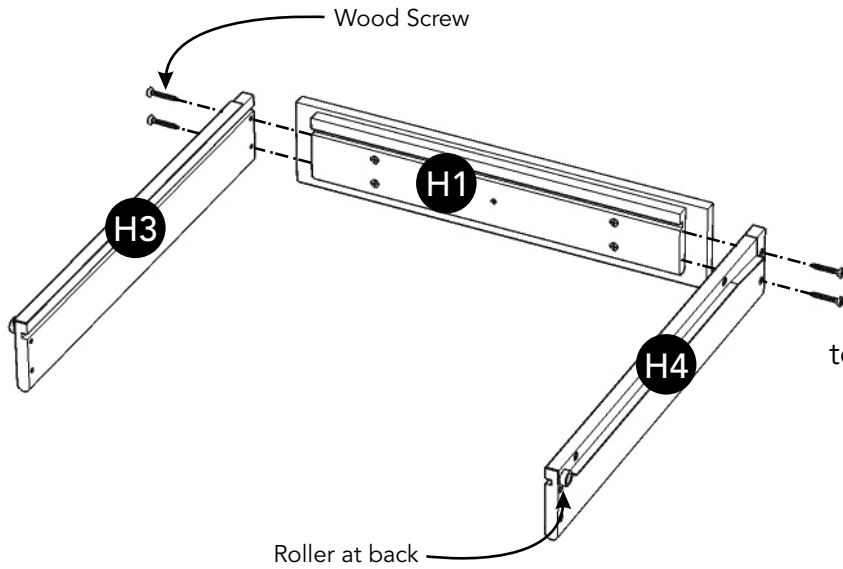
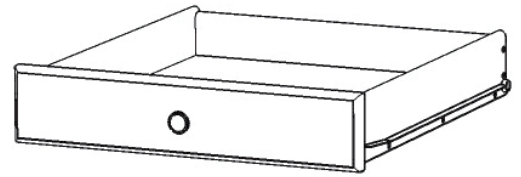
STEP 5

Attach Legs (G) to unit.



Assembly Instructions 4/5

Drawer (H)



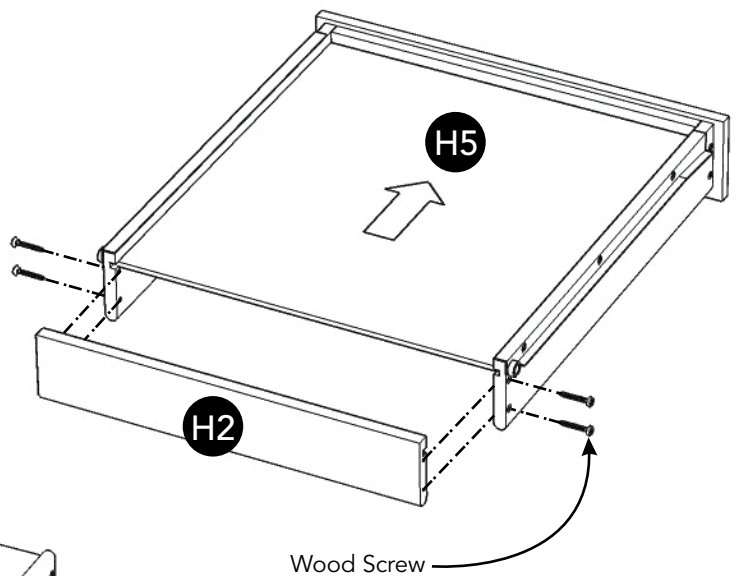
STEP 6

Attach Drawer Sides (H3) and (H4) to Drawer Front (H1) with Wood Screws.

STEP 7

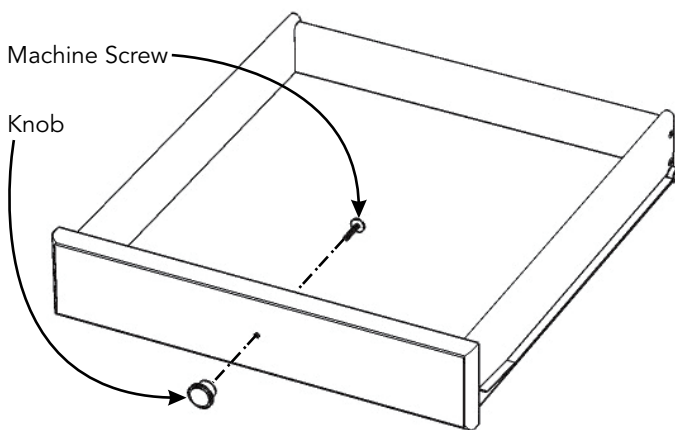
Slide Drawer Bottom (H5) into groove.

Attach Drawer Back (H2) to unit with Wood Screws.

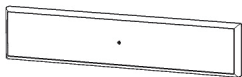


STEP 8

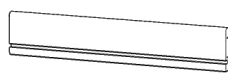
Attach Knob with Machine Screw.



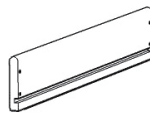
Part List



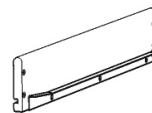
H1.
Drawer Front
2 pcs.



H2.
Drawer Back
2 pcs.



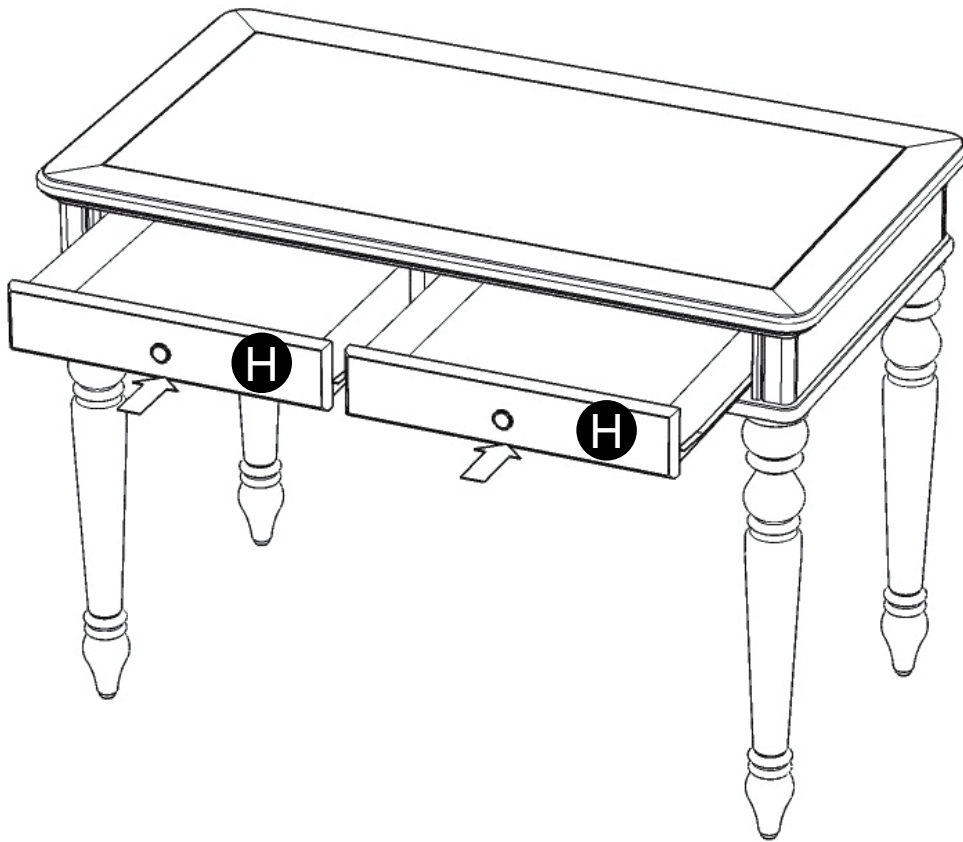
H3.
Drawer Side
2 pcs.



H4.
Drawer Side
2 pcs.



H5.
Drawer Bottom
2 pcs.



STEP 9

Turn unit from Step 5 over to its' upright position.

Level unit by adjusting the adjustable levelers on bottom of legs. (See Figure 4)

Note: Unit must be level to work properly.

Slide Drawers (H) into position.

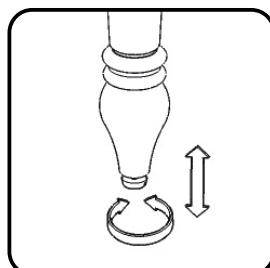


Figure 4

CARE INSTRUCTIONS

NEVER

allow liquids to remain on furniture.
Absorption causes parts to warp
and split and finishes to delaminate.

NEVER

use glass cleaners on
finished furniture. Ammonia
chemically attacks the finish.



Do not use power tools
above 8 volts to assemble.

**PREVENT
CRACKING**



Do not place
in direct sunlight.

**PREVENT
FADING**



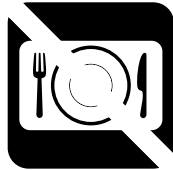
Do not write
directly on surface.

**PREVENT
MARKING**



Do not place hot
objects on surface.

**PREVENT
FINISH DAMAGE**



Do not use rubber
based placemats.

**PREVENT
DISCOLORING**



Do not use commercial
waxes and polishes.

**PREVENT
YELLOWING**

CLEAN

with a soft cloth moistened
in lukewarm soap and water.
Buff with a dry clean cloth.



Home Styles will provide replacements free of charge for missing or damaged hardware or parts within 30 days of purchase. Digital images of the defective parts may be required. If the product was not purchased from an authorized retail affiliate, Home Styles is under no obligation to provide replacement parts. Parts are not available for fully assembled items nor are parts available for sale. Replacements for missing or damaged hardware or parts may be requested at:

www.homestyles-furniture.com/customer-service/replacement-parts

Home Styles Customer Service: www.homestyles-furniture.com,
servicedesk@homestyles-furniture.com, 888-680-7460, 877-831-0319