

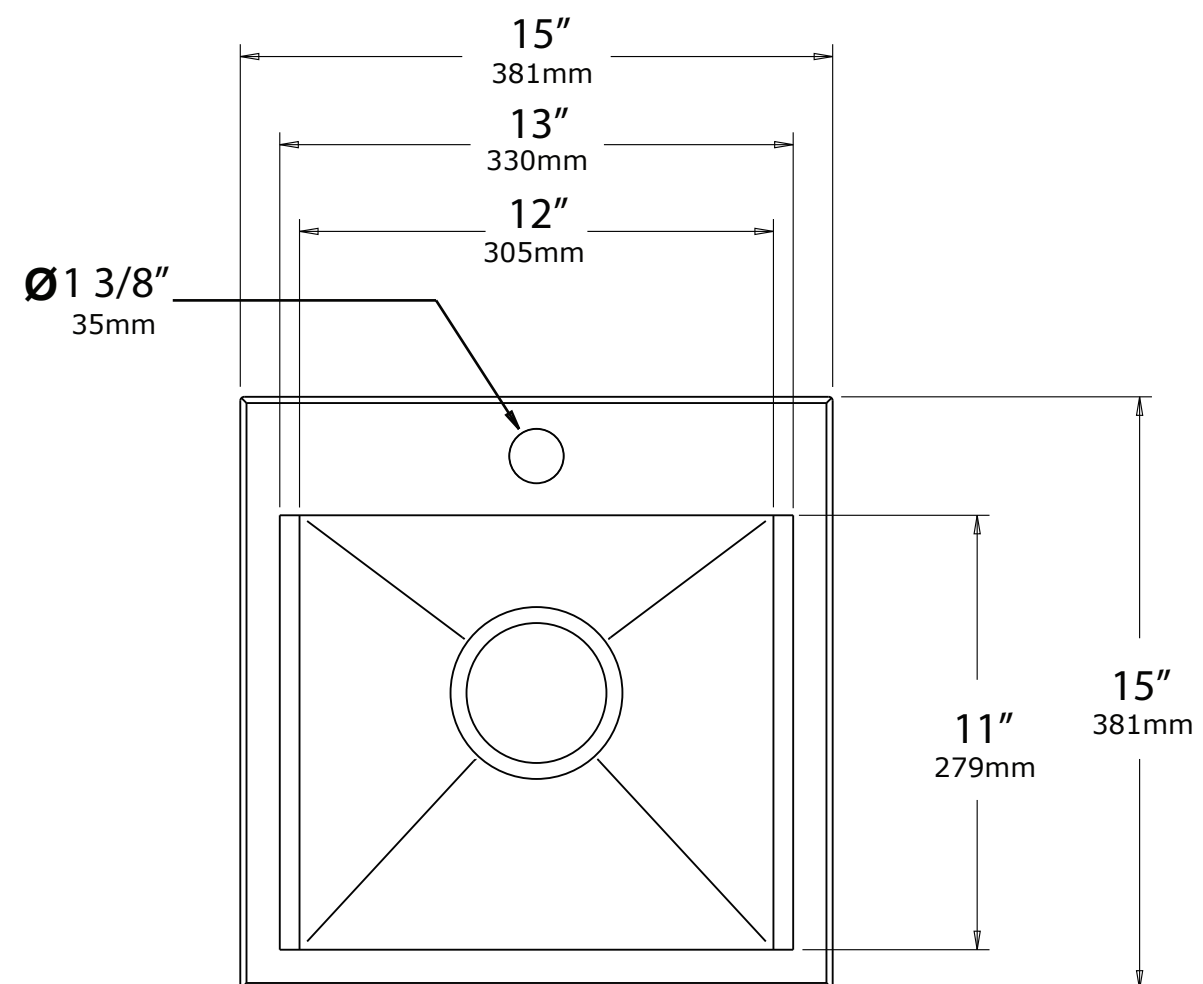
Outline size: 363*363mm

Kräus[®]
www.kraususa.com

Model No.
KWT321-15
KWT321-15/316

Top Mount Cut-out

Pro Hotline: 516.801.8955
Customer Service: 800.775.0703



NOTE: Cutout template is provided as a guide ONLY and must be checked against actual sink to verify correct fit.