



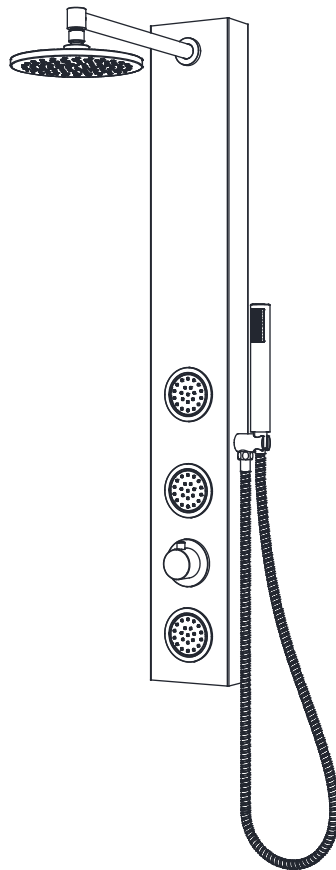
ANZZI®

ITEM: SP-AZ080**

ANZZI BEVERLY SHOWER PANEL
INSTALLATION & OPERATION MANUAL

V1.1

09/30/2024



DON'T WAIT! REGISTER NOW!

Register your product within 90 days to ensure your product is recognized as an official purchase and is eligible for warranty coverage.

Register online at <https://anzzi.com/pages/register> or scan the QR code at PG. 2.



PRODUCT REGISTRATION*

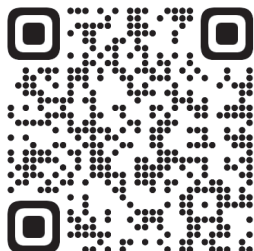
IMPORTANT: Warranty will not be recognized unless product is registered.

Register online at <https://anzzi.com/pages/register> or Scan the QR code below.

Registering online is fast, secure, and ensures we receive your information.

1

USE YOUR PHONE CAMERA
TO SCAN THE QR CODE



2

FILL IN A QUICK
REGISTRATION FORM

Thank you for your purchase!

Registering your products ensures you maximize your warranty benefits and receive prompt service and support.

Name*

Email*

City*

Order #*

Installer Name

⋮

Model Purchased*

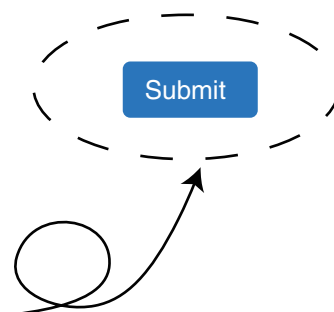
Installer Phone Number

Customer Age Range

Submit

3

CLICK SUBMIT AND
ENJOY PEACE OF MIND

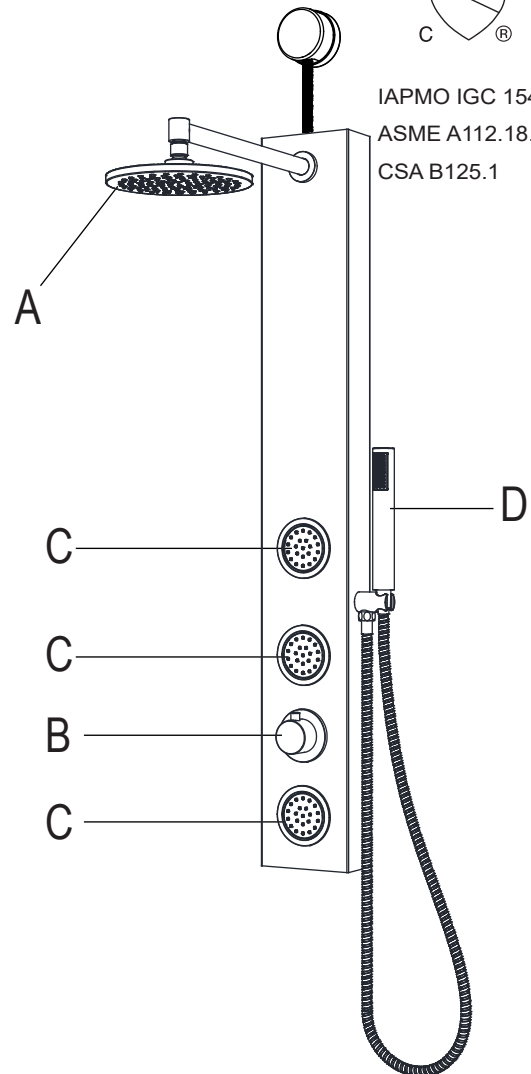
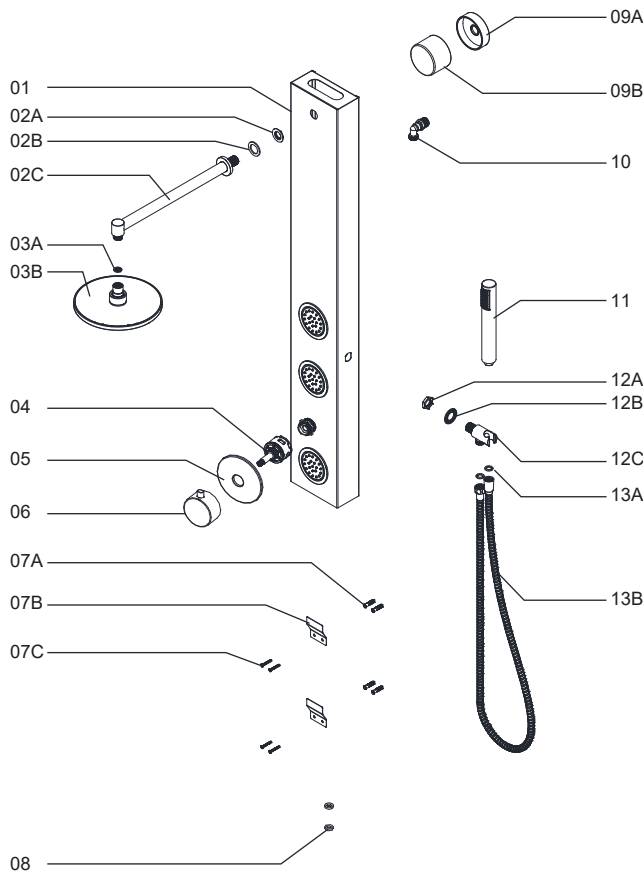


Need help? For technical support call 305-614-4070 or visit us at www.ANZZI.com

PARTS LIST



IAPMO IGC 154
ASME A112.18.1/
CSA B125.1



Part	Description	Qty	Part	Description	Qty
[01]	Shower Panel	1	[07C]	Screw	4
[02A]	Nut	1	[08]	Washer	2
[02B]	Washer	1	[09A]	Base	1
[02C]	Shower Arm	1	[09B]	Cap	1
[03A]	Gasket	1	[10]	Nipple	1
[03B]	Shower Head	1	[11]	Hand Shower	1
[04]	Diverter Cartridge	1	[12A]	Nut	1
[05]	Diverter Flange	1	[12B]	Washer	1
[06]	Diverter Handle	1	[12C]	Hand Shower Holder	1
[07A]	Anchor	4	[13A]	Washer	2
[07B]	Bracket	2	[13B]	Shower Hose	1

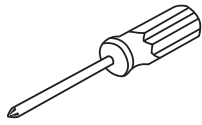
A. Shower Head
B. Diverter
C. Body Jets
D. Hand Shower

PRODUCT FEATURES

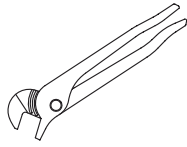
- Adjustable Body Jets
- Integrated showerhead design
- Single diverter controls water flowing between Rain Shower/ Body Jets/ Hand Shower
- Rust-free materials

BEFORE YOU START

Recommended Items



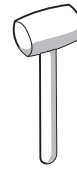
Screwdriver



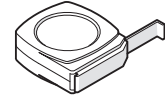
Channel Locks



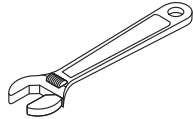
Goggles



Rubber Mallet



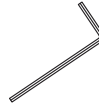
Tape Measure



Adjustable Wrench



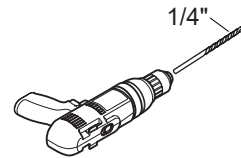
Teflon tape



Allen key



Pencil



Electric drill

Read Before Using Your New Shower Panel

Congratulations on purchasing our Shower Panel. Your new shower panel will be a great addition to your bathroom for years to come. Our luxury Shower Panel brings a spa experience into your life in the comfort of your personal bathroom. Adding the shower panel as a modification to your present shower will allow you to enjoy the pleasures of massaging body spray jets. Furthermore, the shower panel will operate with your existing plumbing supply lines with standard line pressure and flow rates. Before using our Shower Panel, please read this document carefully and thoroughly.

The instructions and safety information in this document are essential to the safe operation of your new unit. Additionally, neglect or improper or incorrectly performed installation, maintenance or repair, including failure to follow the applicable care and cleaning instructions, may affect your new product's warranty.

IMPORTANT

1. Prior to installation, please make sure your package is intact. Look over the product and contact your dealer or ANZZI if you find damaged sections.
2. In order to install this shower panel, simple understanding of plumbing techniques will be necessary. Please contact your dealer or a professional plumber if you are unfamiliar with plumbing techniques or have questions.
3. This shower panel is designed for indoor use only. It is not intended for outdoor or other uses.
4. Product requires between 20-125 psi supply pressure. Install a pressure reducing valve at the inlets if your water pressure is too high.
5. Check all connections for leaks. Retighten if necessary, but do not overtighten.

Mounting the Brackets of the Shower Panel

It is recommended that the shower panel be mounted at a height that will make the unit accessible to people with varying heights. Establish the precise height and position of the unit on the wall. We recommend leaving a 6" (15cm) space between the shower head and the average height of the people in the house as well as a minimum distance of 1" (2.5cm) from the ceiling. (Figure A)

Scan the QC code for a quick example install video

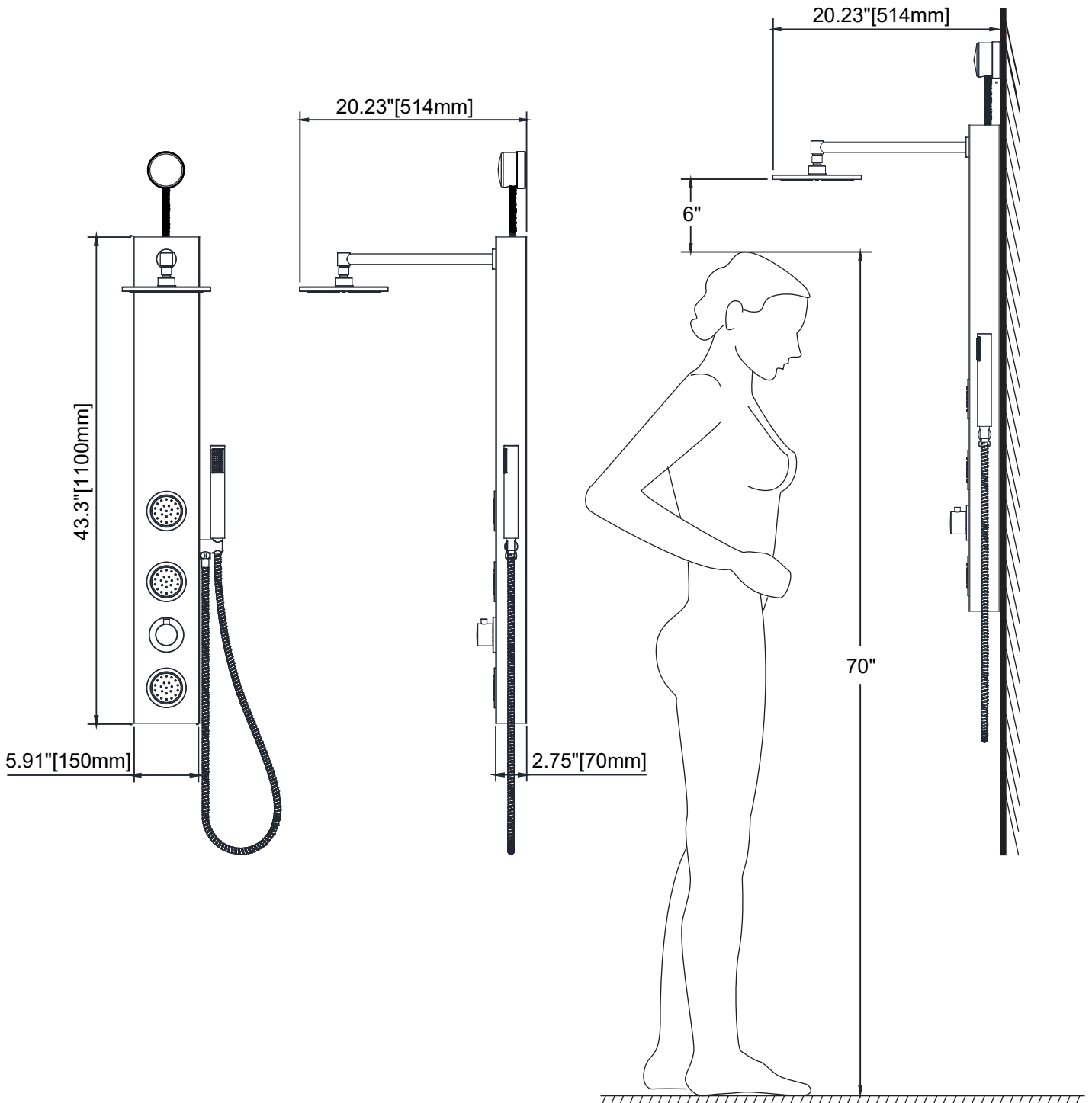


Figure A

STEP 1

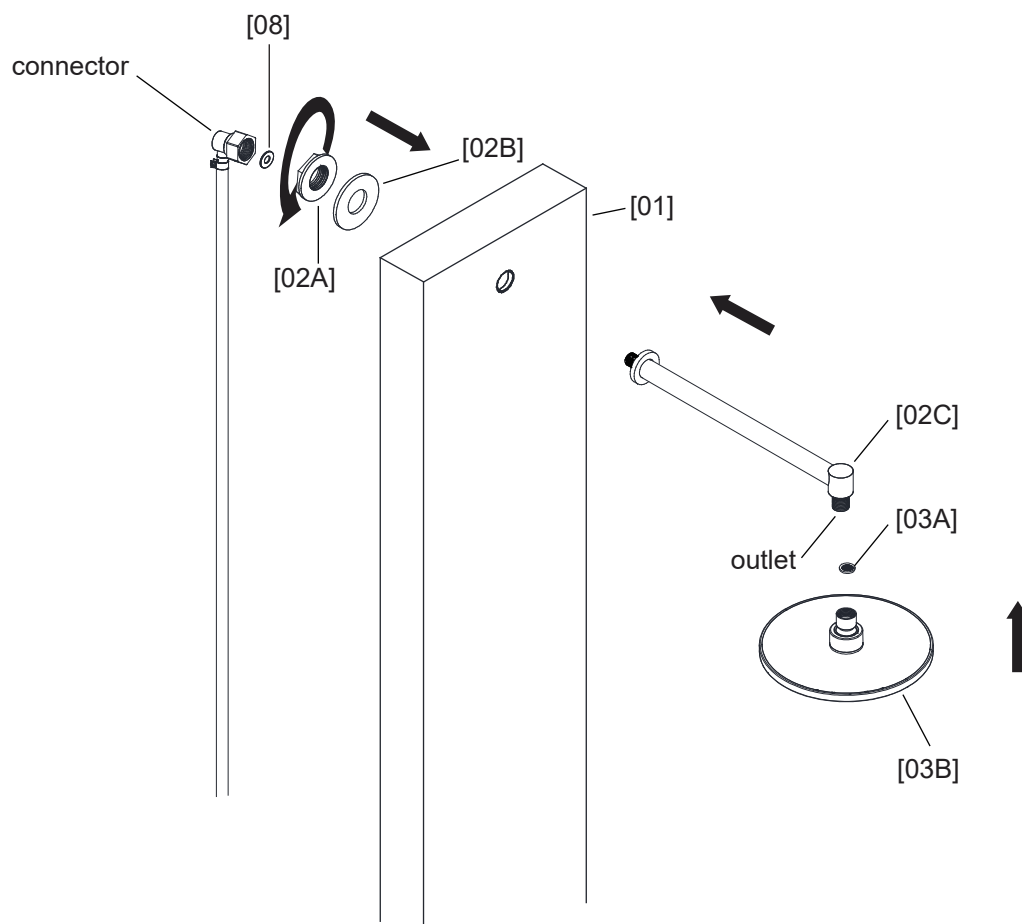


Fig 1

- 1-1** Remove the **Nut [02A]** and **Washer [02B]** from the **Shower Arm [02C]** and slide the **Shower Arm [02C]** into the **Shower Panel [01]** from the front. From the back of the **Shower Panel [01]**, slide the **Washer [02B]** on to the **Shower Arm [02C]** and secure it with **Nut [02A]**. **Do not over tighten!** Notice: Make sure the **outlet** of **Shower Arm [02C]** is pointing downward.
- 1-2** Install the **connector** with **Washer [08]** in it to the **Shower Arm [02C]** as figure shows.
- 1-3** Install the **Shower Head [03B]** on to **Shower Arm [02C]** and secure it. Notice: Make sure there is a **Gasket [03A]** inside the **Shower Head [03B]**.

STEP 2A – Outlet above the Top of Shower Panel

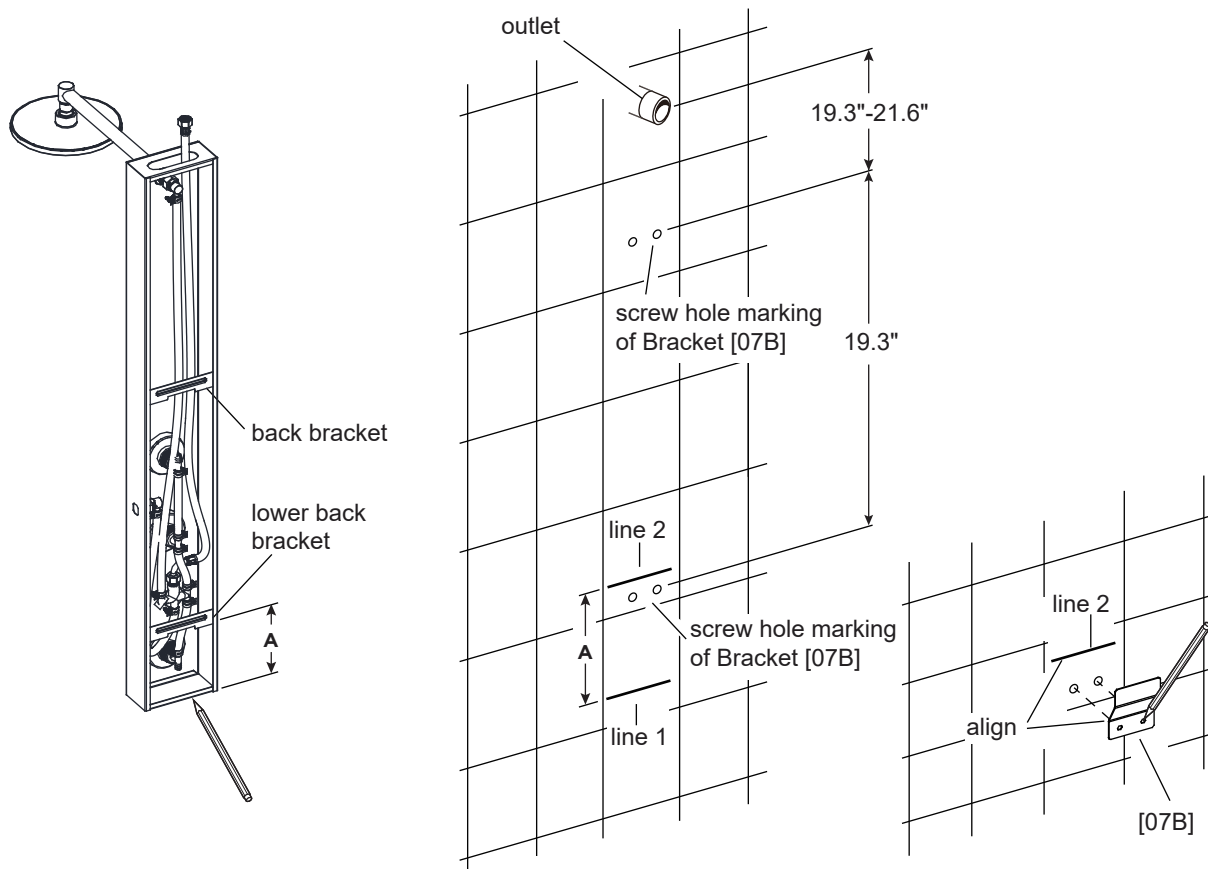


Fig 2A.1

Fig 2A.2

Fig 2A.3

CAUTION: Follow these instructions if outlet is located above the shower panel. If the outlet is located behind the shower panel, skip to **STEP 2B** for instructions.

- 2A-1** Position the shower panel on the wall according to figure A on page 5. Draw line 1 on the wall along the bottom of shower panel. (Fig 2A.1)
- 2A-2** Measure the distance A between the bottom of the shower panel and the lower back bracket. Then draw line 2 above line 1 at the distance A. (Fig 2A.2)
- 2A-3** Position the **Bracket [07B]** on the wall with its lower corners aligned with line 2 and center beneath the outlet. Then mark the wall through the screw holes of the **Bracket [07B]**. (Fig 2A.3)
- 2A-4** Position another **Bracket [07B]** above the previous one on the wall so the screw holes are 19.3" above the screw hole marks for the first bracket and center beneath the outlet. Then mark the screw holes of the second **Bracket [07B]** on the wall. (Fig 2A.2)

STEP 2B – Outlet behind the Shower Panel

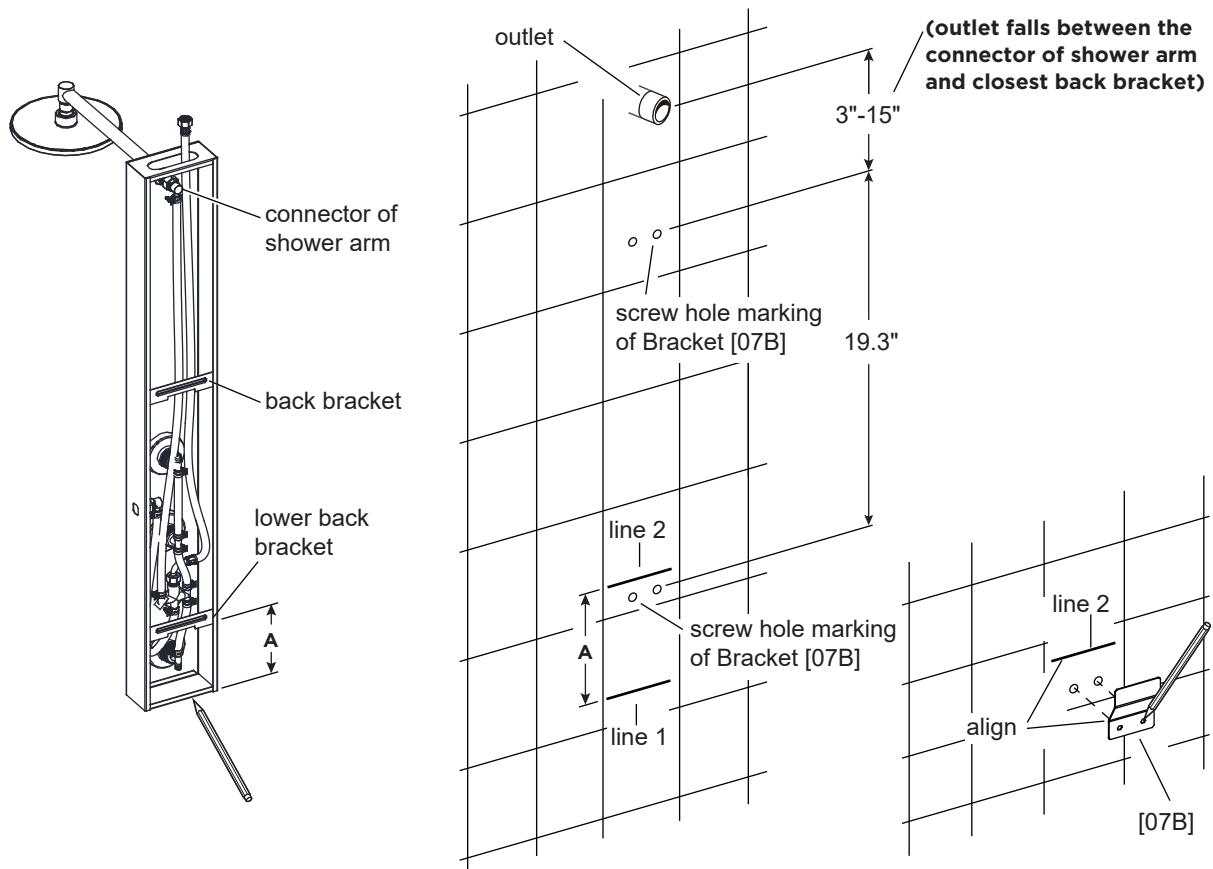


Fig 2B.1

Fig 2B.2

Fig 2B.3

CAUTION: Make sure the outlet falls in the range shown in Fig 2B.2. Make adjustment if needed.

2B-1 Position the shower panel on the wall according to figure A on page 5. Draw line 1 on the wall along the bottom of shower panel. (Fig 2B.1)

2B-2 Measure the distance A between the bottom of the shower panel and the lower back bracket. Then draw line 2 above line 1 at the distance A. (Fig 2B.2)

2B-3 Position the **Bracket [07B]** on the wall with its lower corners aligned with line 2 and center beneath the outlet. Then mark the wall through the screw holes of the **Bracket [07B]**. (Fig 2B.3)

2B-4 Position another **Bracket [07B]** above the previous one on the wall so the screw holes are 19.3" above the screw hole marks for the first bracket and center beneath the outlet. Then mark the screw holes of the second **Bracket [07B]** on the wall. (Fig 2B.2)

STEP 3

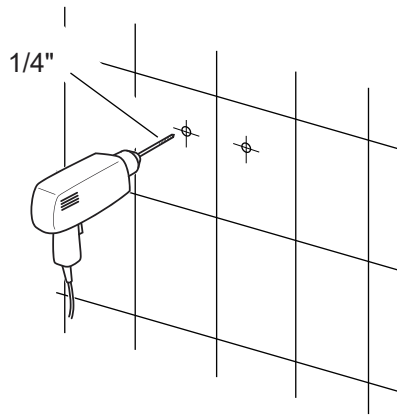


Fig 3.1

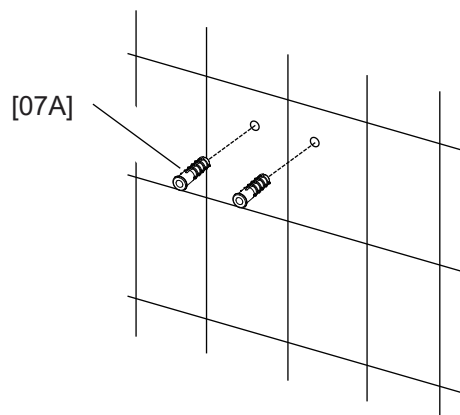


Fig 3.2

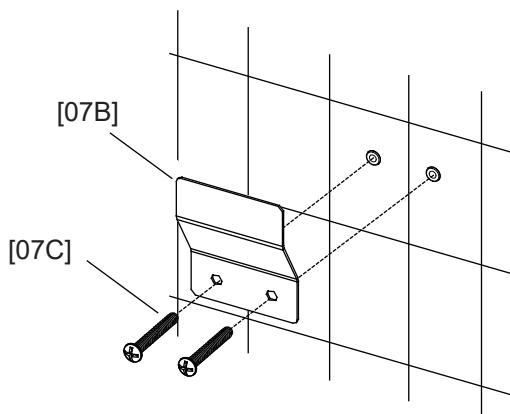


Fig 3.3

IMPORTANT Before drilling any holes for the shower panel brackets, be sure there are no hidden cables or pipelines aligned with the desired drilling position.

3-1 Drill 1/4" holes at the marked positions. (Fig 3.1)

3-2 Install the **Anchors [07A]**. (Fig 3.2)

3-3 Secure the **Brackets [07B]** with **Screws [07C]**. (Fig 3.3)

STEP 4

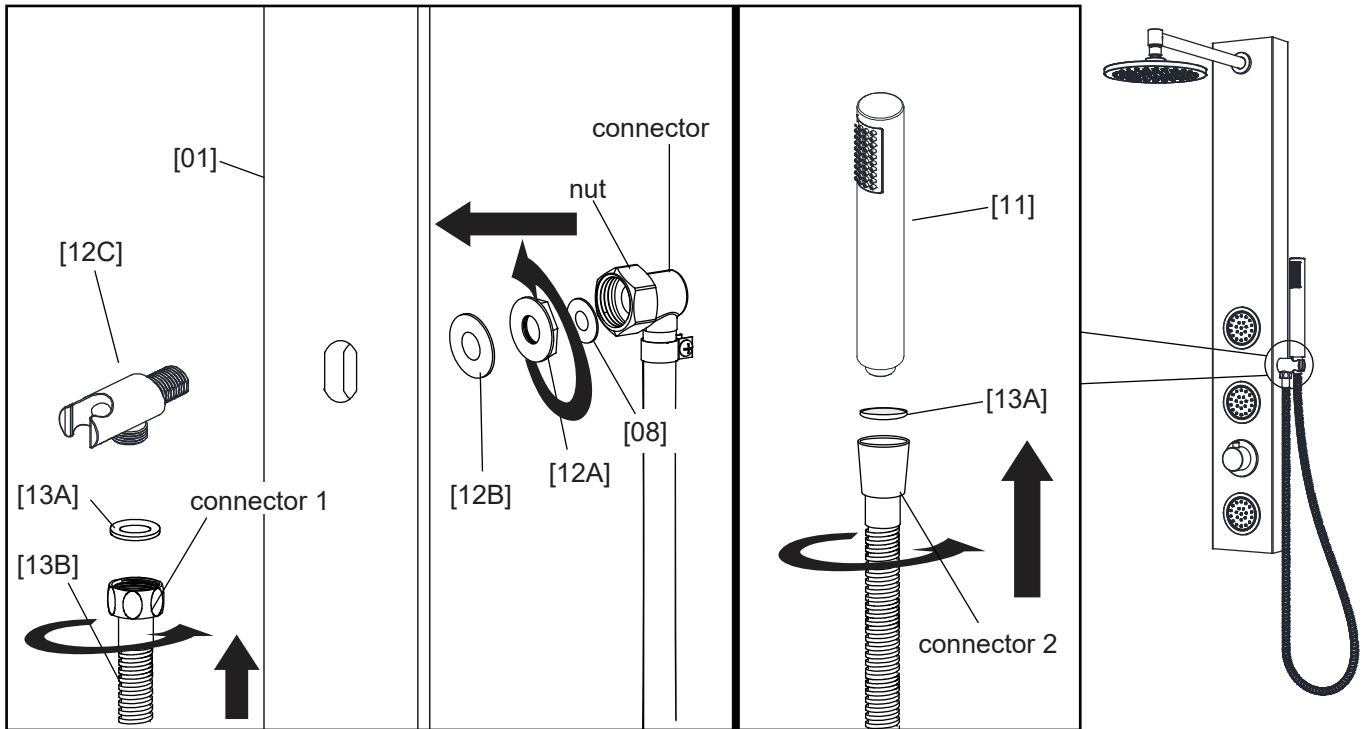


Fig 4.1

Fig 4.2

- 4-1** Install the **Hand Shower Holder [12C]** through the hole on the right of **Shower Panel [01]**. Make sure the shower hose connector faces downward. (Fig 4.1)
- 4-2** Slide the **Washer [12B]** onto the **Hand Shower Holder [12C]** from the inside of **Shower Panel [01]** and secure it by tightening the **Nut [12A]**. Do not over tighten. (Fig 4.1)
- 4-3** Install the **connector** with **Washer [08]** in it to the **Hand Shower Holder [12C]**. Then tighten the **nut** of the **connector** to secure. (Fig 4.1)
- 4-4** Connect the **connector 1** of **Shower Hose [13B]** to **Hand Shower Holder [12C]** and **connector 2** to **Hand Shower [11]**. Tighten the connectors to secure. Make sure there are **Washers [13A]** inside the connectors. (Fig 4.1, Fig 4.2)

STEP 5

Base [09A] is for outlet positioned above the top of shower panel installation only.

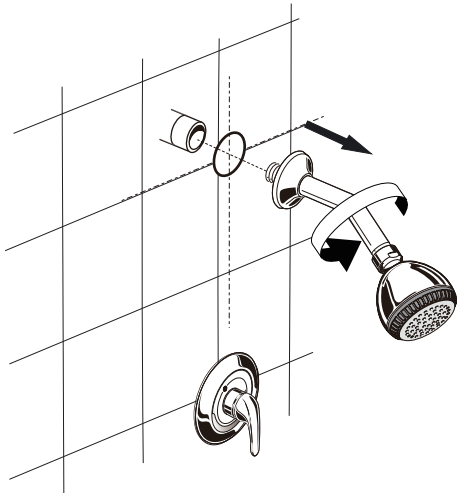


Fig 5.1

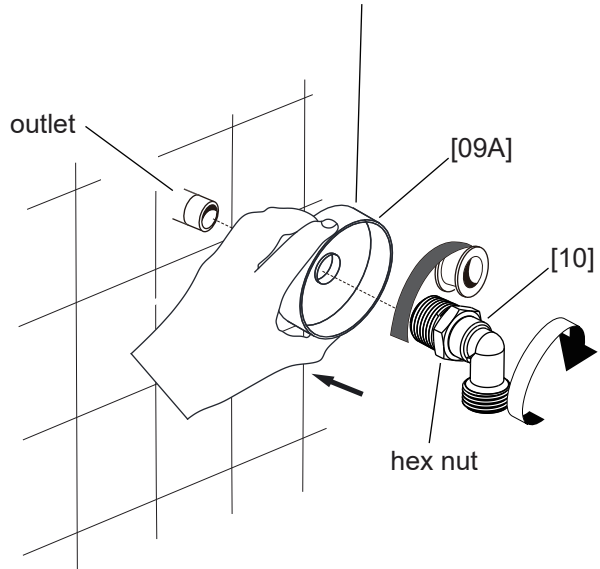


Fig 5.2

- 5-1** Turn off the faucet. Remove the existing shower head and shower arm assembly. (Fig 5.1)
- 5-2** Slide the **Base [09A]** on to the **outlet**. The deeper side of the **Base [09A]** faces outside. Install the hex nut of **Nipple [10]** to the outlet and tighten it. Use plumbing tape to ensure good sealing performance. (Fig 5.2)

CAUTION: Base [09A] is for outlet positioned above the top of shower panel installation only. It is not needed for outlet positioned behind shower panel installation.

STEP 6



Fig 6.1

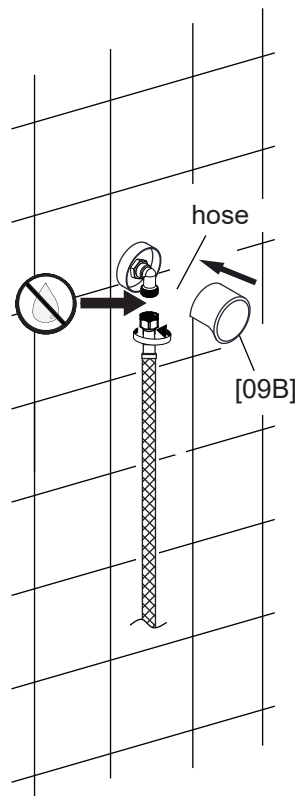


Fig 6.2

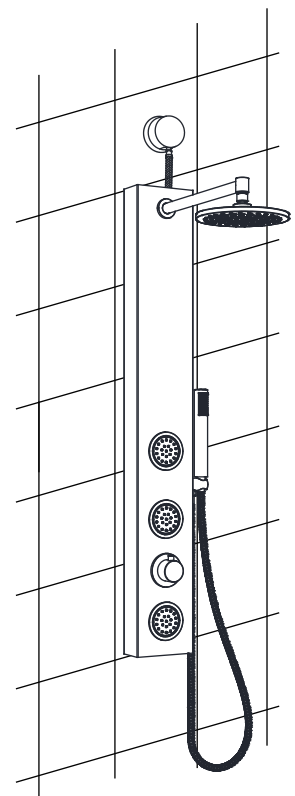


Fig 6.3

- 6-1** Connect the **hose** to the **Nipple [10]** and tighten it to secure. (Fig 6.2)
- 6-2** Before hanging the shower panel onto the wall, turn on the faucet and test all water functions of the shower panel and check all connections for leaks. Retighten if necessary, but do not overtighten. Install the **Cap [09B]** to the **Base [09A]**. (Fig 6.2)
- 6-3** Slide the shower panel down until it rests on the mounting brackets. Slightly pull down the shower panel to secure. (Fig 6.1, Fig 6.3)

CAUTION: Base [09A] and Cap [09B] are for outlet positioned above the top of shower panel installation only. They are not needed for outlet positioned behind shower panel installation.

CARE AND MAINTENANCE

ANZZI® products are crafted with superior quality standards and workmanship and engineered to stand the test of time. However, that does not mean the product can be neglected - it will need some care and cleaning.

It is recommended to use regular soap and hot water along with a non-abrasive cloth or sponge to regularly clean the product. This avoids any build up or deposits which would be tougher to remove.

If you feel the use of stronger cleaning solutions or chemicals is necessary, always test the cleaning solution or chemical on an inconspicuous area before applying to the entire surface.

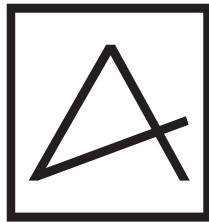
Wipe all surfaces clean and rinse completely with water immediately after applying cleaner. Rinse and dry any overspray that lands on nearby surfaces.

DO NOT ALLOW THE CLEANER TO SOAK.

Following these simple procedures will ensure your ANZZI® product remains as lustrous and stunning as the day it was first received. ENJOY!

Sincerely,

La Familia ANZZI®



ANZZI®