



Thank you for purchasing Leick Furniture products.  
Contact customer service for comments or concerns.

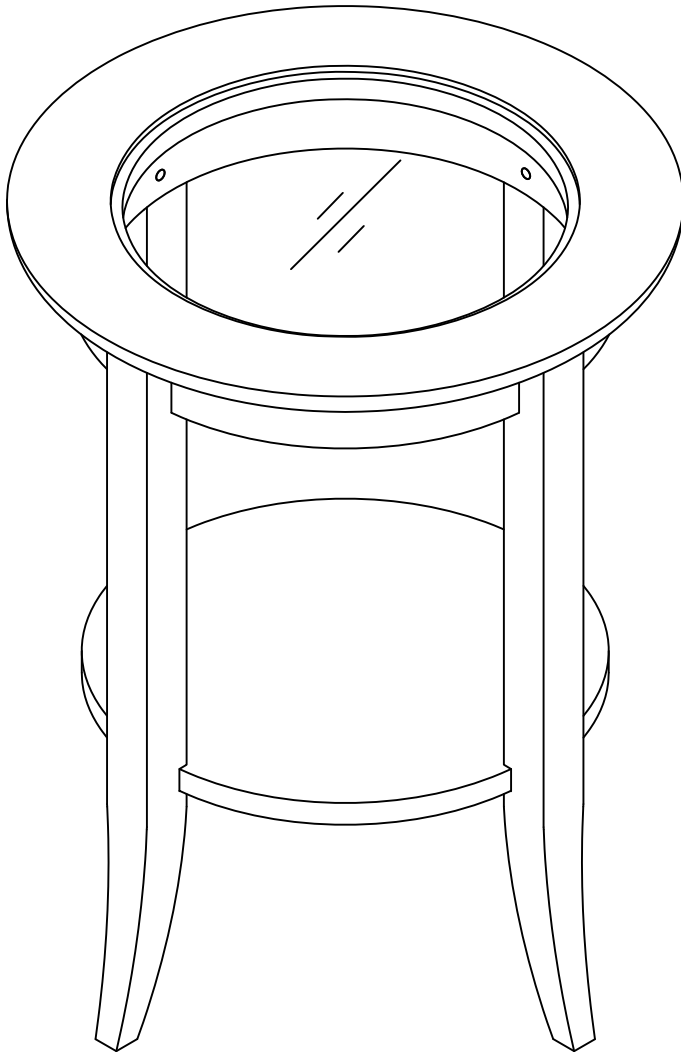
Sheboygan, WI

920-451-4060

info@leickhome.com

www.leickhome.com

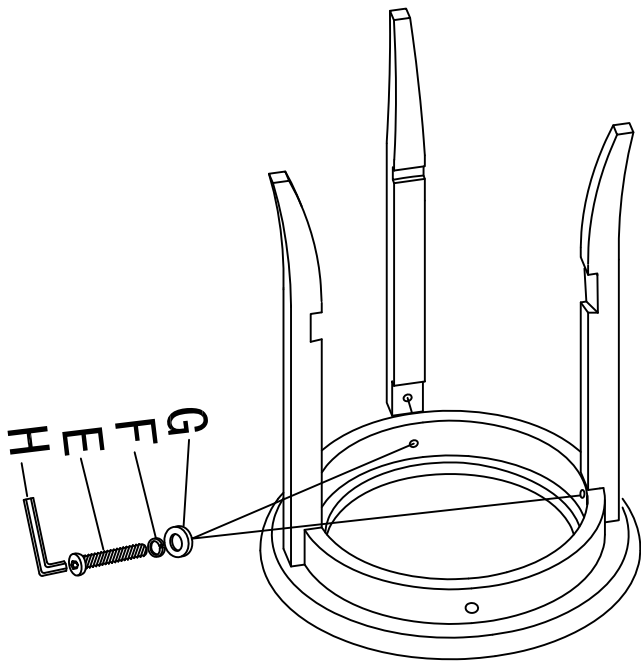
## Assembly Instructions, #10036 Round Table



A: Top Assembly	
B: (4) Legs	
C: Shelf	
D: Glass Top	
E: (4) Bolts	
F: (4) Lock Washers	
G: (4) Flat Washers	
H: Allen Wrench	
I: (4) Screws	

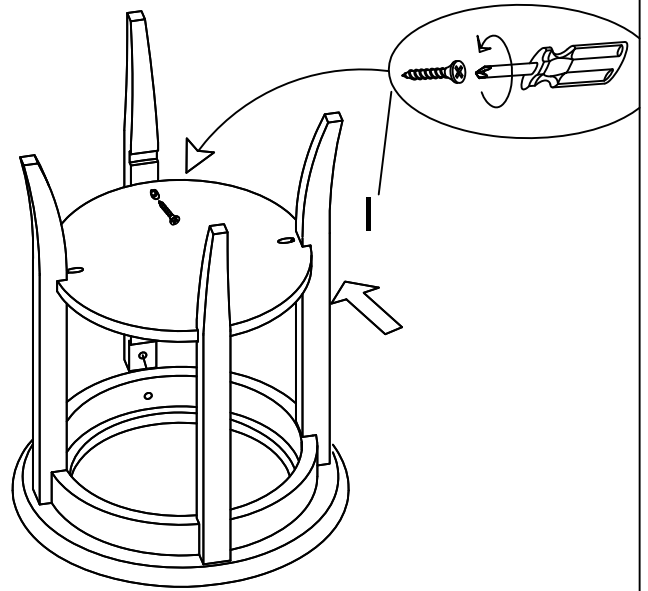
**Step 1**

Put the top assembly (A) upside down on a soft surface. Bolt three legs with parts (E & F & G). Do not tighten.



**Step 2**

Insert the shelf into leg notches, tighten the bolts in step one and fasten the shelf with screws. Do the same thing on the fourth leg.



**Step 3**

Put the table upright, place the glass top on.

