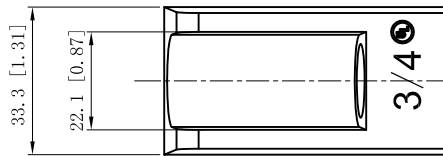
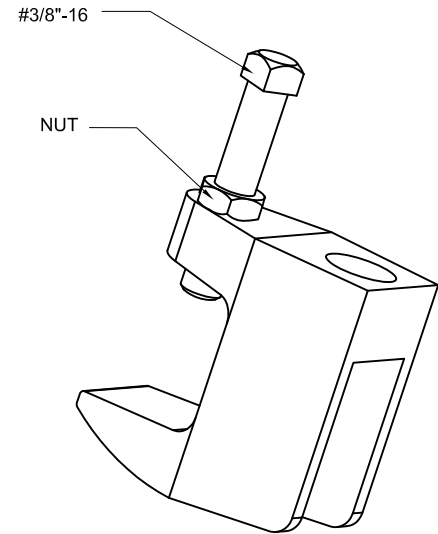
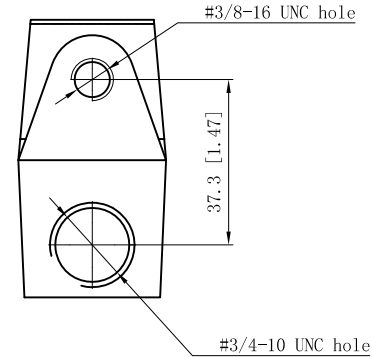
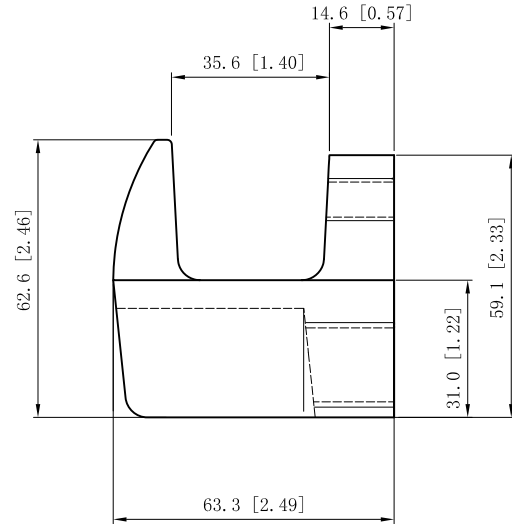
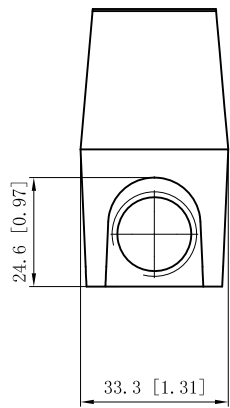
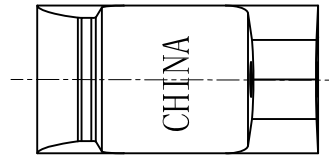


SIDES	BOTTOM
1 PCS 3/8-16×2 Screws Installed	
1 PCS 3/8-16 Nut Installed	
Material:Steel-Malleable Lron 32510 Sandblast	



DESCRIPTION
TRADE REFERENCE TERMS

STANDARD PACKING
25/100 PCS

This data sheet is for reference only .GARVIN INDUSTRIES reserves the right to make changes to the design without prior notice.

GARVIN INDUSTRIES		
TITLE PIPE-FITTERS TOP BEAM CLAMP		
SIZE A4	DWG NO. MFC-3410	REV
DATA SHEET		