

Dantesca® Undercounter Lavatory

FEATURES

- 19" x 15"
- CEFIONTECT® ceramic glaze minimizes waste from sticking to porous ceramic surfaces
- Concealed front overflow
- Mounting assembly complete with installation template and mounting screw set for wood countertops
- THU410 is required for marble/granite type countertop installation and must be purchased separately

MODELS

- LT597G
With CEFIONTECT glazing (#01, #03, #11, #12)
- LT597
Without CEFIONTECT glazing (#51 only)

COLORS/FINISHES

- #01 Cotton
- #03 Bone
- #11 Colonial White
- #12 Sedona Beige
- #51 Ebony (not available with CEFIONTECT)

CODES/STANDARDS

- Meets and exceeds ASME A112.19.2/CSA B45.1
- Certifications: IAPMO(cUPC), State of Massachusetts, City of Los Angeles, and others
- Meets ADA guidelines and ANSI A117.1 requirements when countertop is installed 864mm (34") from finished floor and lavatory is installed 205mm (8-1/8") minimum from front edge.
- Complies with CA Prop 65 warning requirements



PRODUCT SPECIFICATION

The undercounter lavatory shall be made of vitreous china. Lavatory shall be 19" in length and 15" in width. Product shall be with overflow and lavatory shall include mounting assembly and be ADA compliant. Lavatory model LT597G shall have CEFIONTECT ceramic glaze. Lavatory shall be TOTO Model 597 _____.

LT597(G)

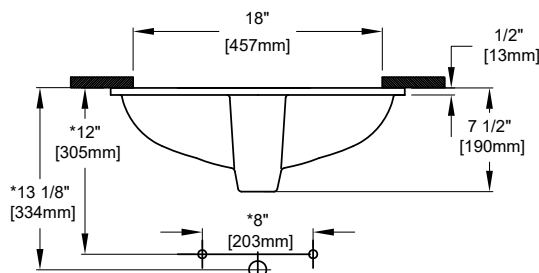
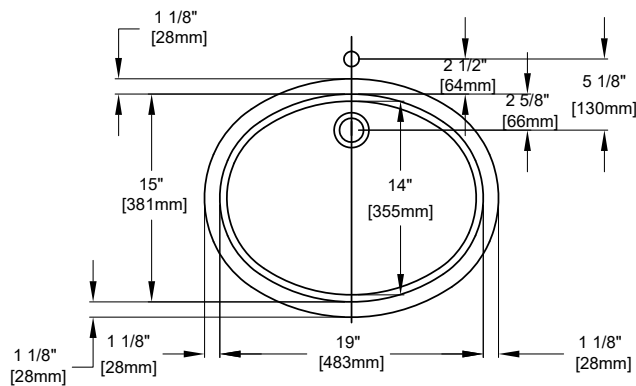
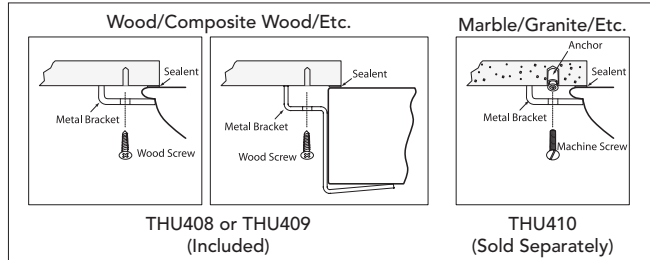
Dantesca® Undercounter Lavatory

SPECIFICATIONS

- Waste 1-1/4" O.D.
- Size 21-1/4"W x 17-1/4"D
- Basin 19"W x 15"D
- Warranty One Year Limited Warranty
- Material Vitreous china
- Shipping Weight 19.5 lbs.
- Shipping Dimensions 22"W x 18-1/2"L x 8-1/2"H

INSTALLATION NOTES

Mounting Hardware



*Suggested Dimensions

ADA COMPLIANCE

