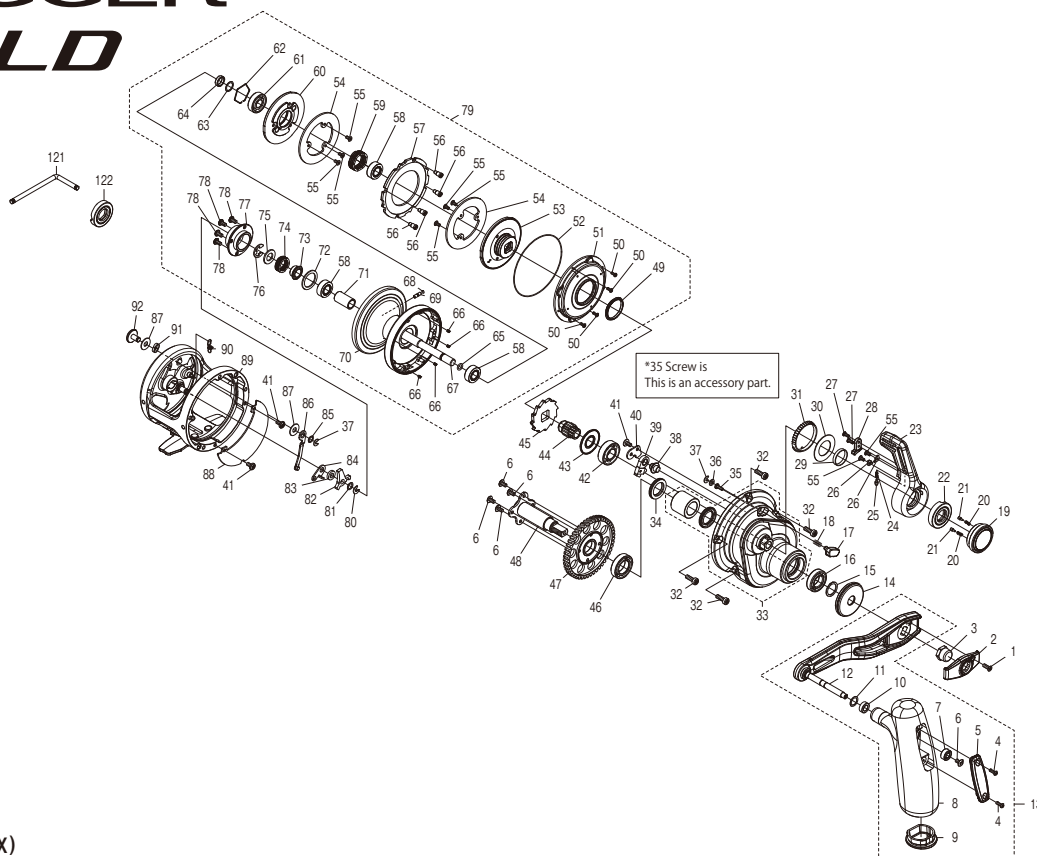


SHIMANO

OCEA JIGGER LD

OCEAJGLD2500HG



(51RJ362A30X)

#	Part No.	Description	#	Part No.	Description	#	Part No.	Description
1	101AA	Screw	33	146EY	A Side Plate Assembly	65	10TNF	O Ring
2	144ZS	Handle Nut Plate	34	10C68	Roller Clutch Water Proof	66	10KJ6	Drag Plate Spring
3	10T66	Handle Nut	35	101LH	Screw (Accessory)	67	144Z1	Spool Shaft
4	103NH	Screw	36	143L9	Washer	68	10908	O Ring
5	144ZR	Handle Knob Id Plate	37	105NK	E Lock	69	145RN	Cross Pin
6	103E9	Screw	38	10PFS	Anti-Reverse Pawl Pin	70	1486D	Spool Unit
7	10KX2	Ball Bearing	39	10RZ8	Anti-Reverse Pawl Assembly	71	144Z3	Spool Shaft Collar
8	144ZM	Handle Knob	40	13ZQT	Anti-Reverse Pawl Keeper	72	13ZRE	Washer
9	144ZQ	Handle Knob Seal	41	1055F	Screw	73	13ZRF	Drag Spring Spacer
10	104UJ	Handle Knob Bushing	42	10T2K	Ball Bearing	74	13ZRG	Pressure Release Spring
11	104FH	Washer	43	13ZQS	Washer	75	13ZRH	Washer
12	146ET	Handle Shank Assembly	44	144ZB	Pinion Gear	76	105RZ	E Lock
13	146EU	Handle Assembly	45	144ZA	Anti Reverse Ratchet	77	144Z2	F-Baitrunner Ratchet
14	144ZK	Drive Shaft Shield	46	10KXA	Ball Bearing	78	103EG	Screw
15	144ZH	Washer	47	144ZF	Drive Gear	79	146F0	Spool Assembly
16	104PW	Ball Bearing	48	146EZ	Drive Shaft Assembly	80	105NE	E Lock
17	146EV	Strike Stop	49	10EWA	Waterproof Ring	81	10DHM	Washer
18	10BNL	Pressure Spring	50	10PRU	Screw	82	10905	F-Baitrunner Pawl
19	146EW	Pre-Program Dial Assembly	51	13ZQZ	Cooling Shield	83	144YX	F-Anti-Reverse Spacer
20	10K07	Click Spring	52	1421C	O Ring	84	108SH	F-Anti-Reverse Switch
21	10JX6	Click Pin	53	13ZR0	Pinion Guard	85	10J16	Washer
22	144Z6	Lever Shaft Body	54	13ZR1	Drag Washer	86	146F1	F-Anti-Reverse Link Assembly
23	146EX	Drag Control Lever Assembly	55	10S65	Screw	87	104H2	Washer
24	10C3X	Lever Click Shoe	56	13ZR2	Screw	88	144Y2	Set Plate
25	13ZQM	Lever Click	57	13ZR4	Drag Plate	89	146F2	Frame Assembly
26	13ZQN	Lever Click Cover	58	104Q5	Ball Bearing	90	13T7X	Anti-Reverse Pawl Spring
27	13ZQQ	Screw	59	13ZR5	Drag Spring	91	104MS	Click Switch Cam
28	144ZD	Lever Protector	60	13ZR6	Pressure Plate	92	144YV	F-Anti-Reverse Knob
29	108DN	Lever Thrust Ring	61	104VJ	Ball Bearing			
30	10J19	Washer	62	13ZR7	Bearing Retainer			
31	10F6B	Lever Click Gear	63	141QS	Washer	121	144ZU	Wrench (Accessory)
32	13ZQR	Screw	64	13ZR9	Bearing Spacer	122	144ZT	Light Line Cam (Accessory)

Please note that the number of adjusting washers may not be the same as shown in the exploded views.
(Adjustment will vary with each individual product.)

(240312)_002