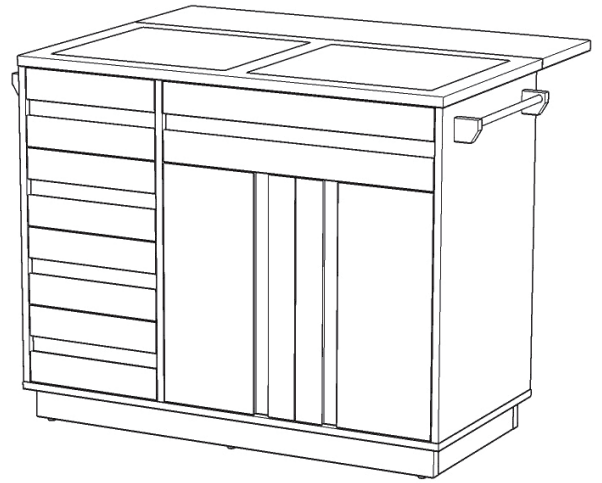


homestyles®

20 08001 0942

Kitchen Island



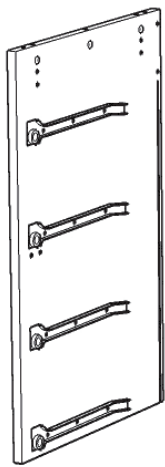
IMPORTANT

Carefully remove all the parts from the carton and place them individually on a soft cloth to prevent scratches or other damage.

Carefully and strictly follow these assembly instructions to ensure a completed product as designed.

Do not use power tools above 8 volts to assemble.

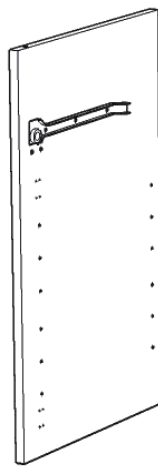
Part List



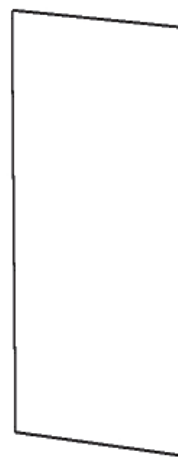
C.
Side Panel
1 pc.



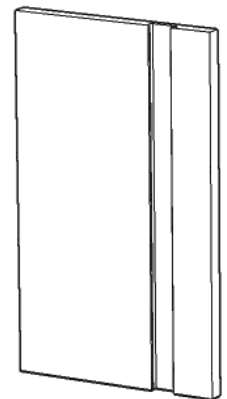
D.
Side Panel
1 pc.



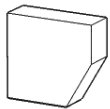
E.
Middle Panel
1 pc.



M.
Back Panel
3 pcs.



V.
Door
2 pcs.



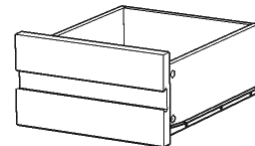
P.
Arm
2 pcs.



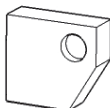
R.
Towel Bar
2 pcs.



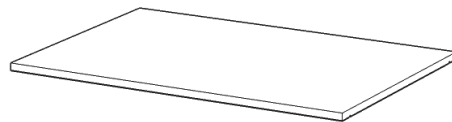
U.
Back Support
1 pc.



W.
Drawer
4 pcs.



Q.
Arm
2 pcs.



I.
Shelf
2 pcs.



X.
Drawer
1 pc.

Refer to later page(s) of these instructions for drawer assembly.

Carton 20 08001 0941 is also needed for assembly.

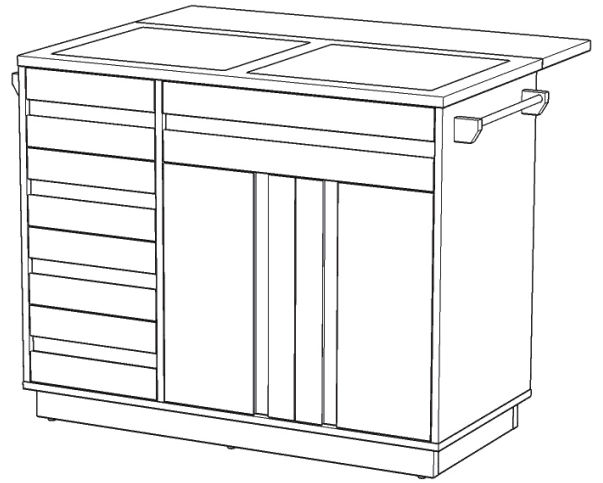
Tool(s) required for assembly: Phillips screwdriver, Level

Home Styles Customer Service: www.homestyles-furniture.com,
servicedesk@homestyles-furniture.com, 888-680-7460, 877-831-0319

homestyles

20 08001 0942

Kitchen Island



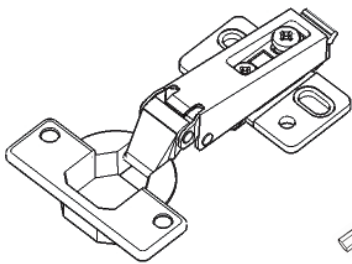
IMPORTANT

Carefully remove all the parts from the carton and place them individually on a soft cloth to prevent scratches or other damage.

Carefully and strictly follow these assembly instructions to ensure a completed product as designed.

Do not use power tools above 8 volts to assemble.

Hardware List



Hinge
4 pcs.



Hex Wrench
1 pc.



Small Hex Wrench
1 pc.



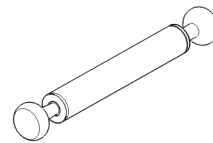
M6x30
Head Cap Bolt
8 pcs. (+1 extra)



Cam Lock Screw
51 pcs. (+2 extra)



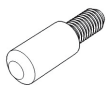
Cam Lock
33 pcs. (+6 extra)



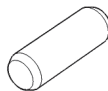
Cam Lock Screw (long)
2 pcs. (+1 extra)



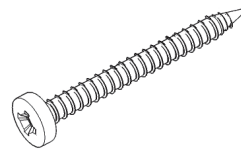
Cam Lock (small)
22 pcs. (+6 extra)



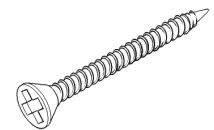
Adjustable Pin
8 pcs. (+1 extra)



Dowel
26 pcs. (+1 extra)



M3.5x64
Wood Screw for Base
12 pcs. (+1 extra)



M3.5x38
Wood Screw (long)
13 pcs. (+1 extra)



M3.5x25
Wood Screw (short)
21 pcs. (+1 extra)



M3.5x16
Wood Screw for Hinge
34 pcs. (+1 extra)

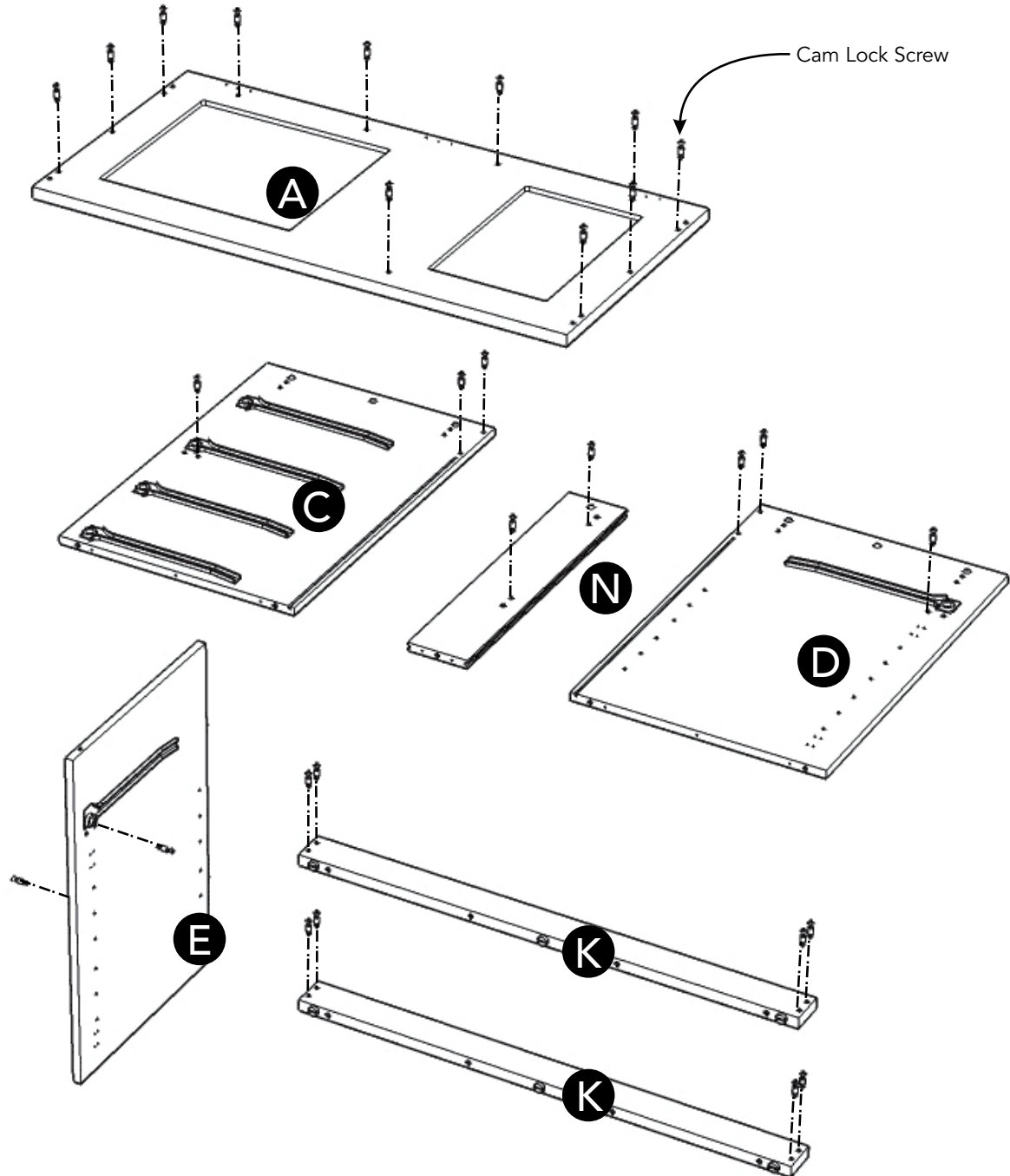


M3x16
Wood Screw for Top
9 pcs. (+1 extra)

Assembly Instructions 2/10

IMPORTANT

- Use a soft cloth between these parts and the floor.
- Do not use power tools above 8 volts to assemble.
- Do not tighten all the bolts until each part is properly assembled.
- The unit must be level to work properly. Use the included adjustable levelers to level.
- Keep Hex Wrench as the bolts may need to be tightened in the future.



STEP 1

Insert Cam Lock Screws into pre-drilled hole in Top (A), Side Panels (C), (D), Middle Panel (E), Plinths (K) and Back Upright (N), then tighten. (See Figure 1)

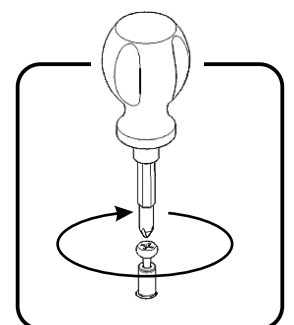


Figure 1

STEP 2

Attach Plinths (K) to Plinths (L) with Cam Locks. (See Figure 2)

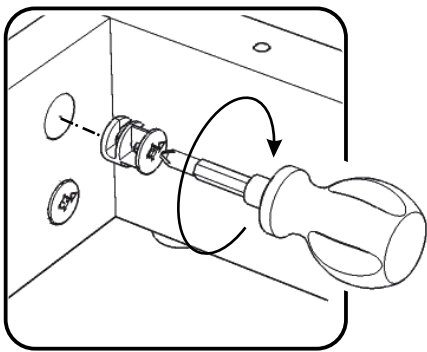
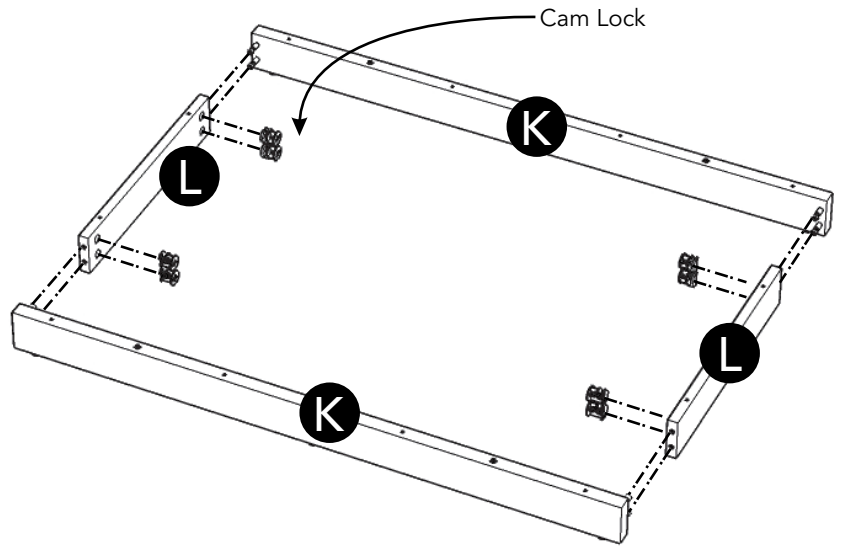
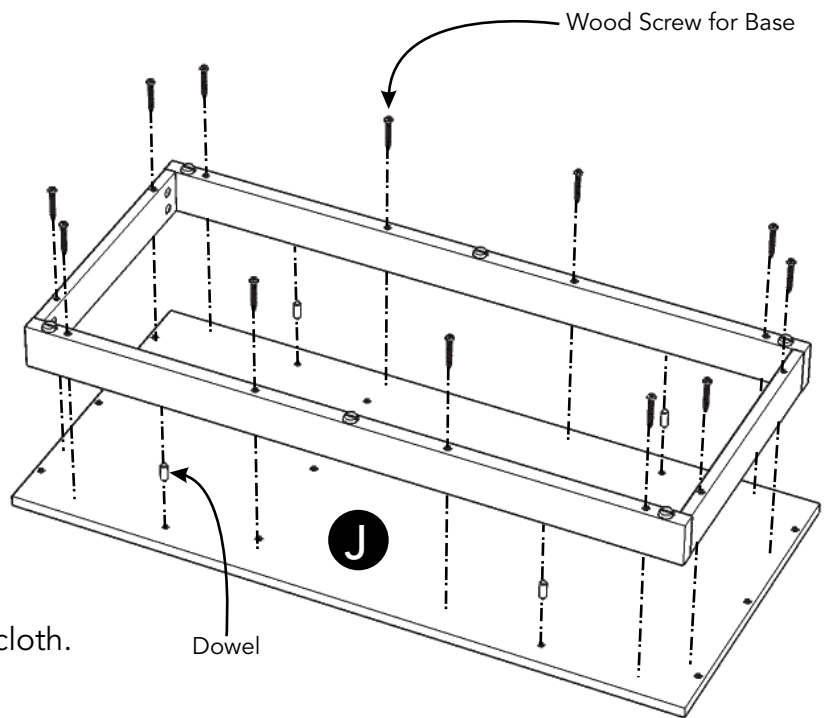


Figure 2



STEP 3

Place Base (J) upside down on a soft cloth.

Insert Dowels into pre-drilled holes in Base (J). (See Figure 3)

Attach unit to Base (J) with Wood Screws for Base, into pre-drilled holes. (See Figure 4)

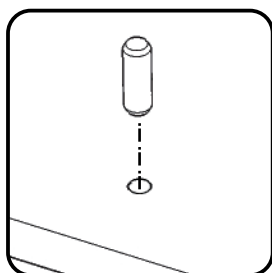


Figure 3

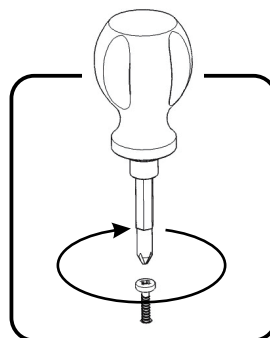


Figure 4

STEP 4

Insert Dowels and Can Lock Screws (long) into pre-drilled holes in Back Rail (F). (See Figure 5)

Attach Back Uprights (N) and (O) to Back Rail (F) with Cam Locks.

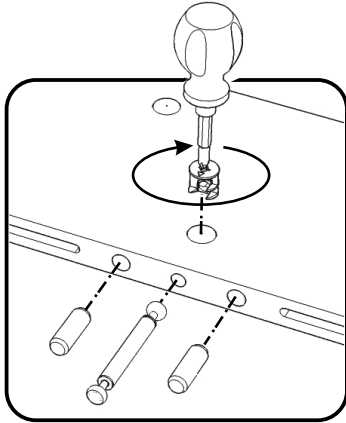
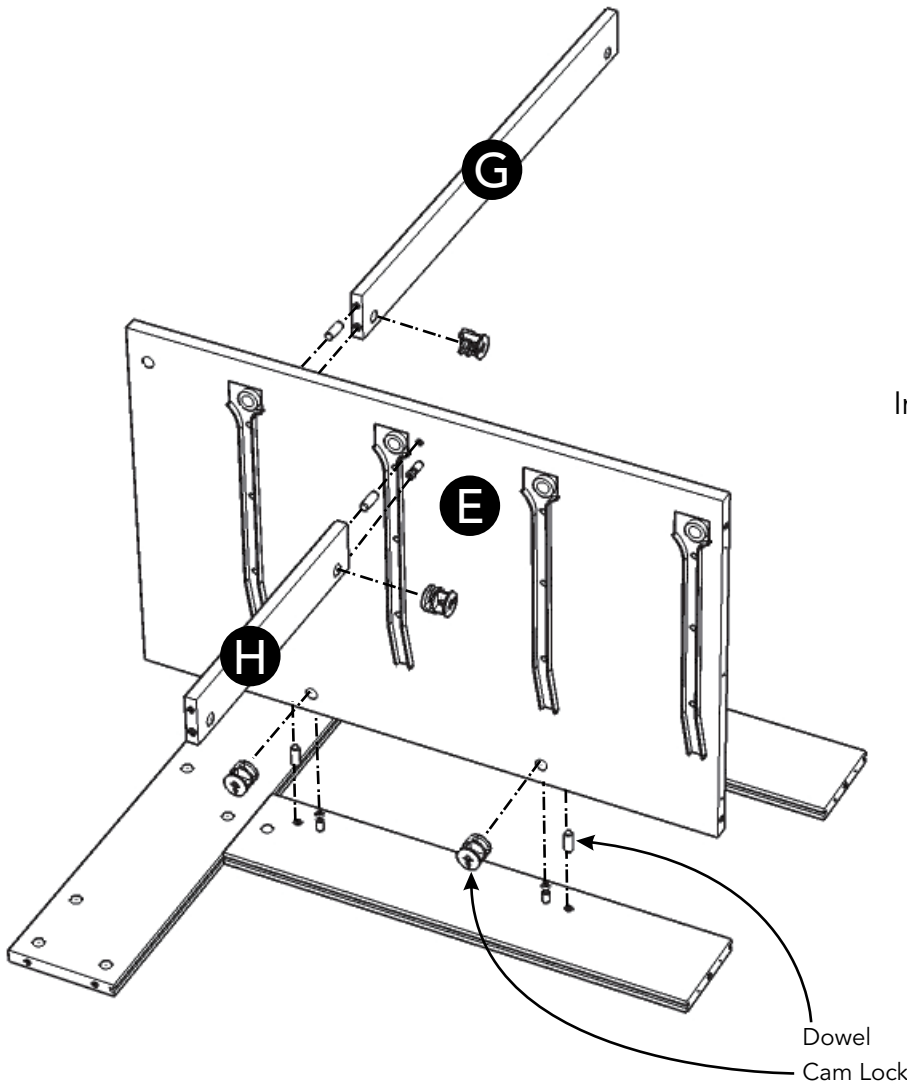
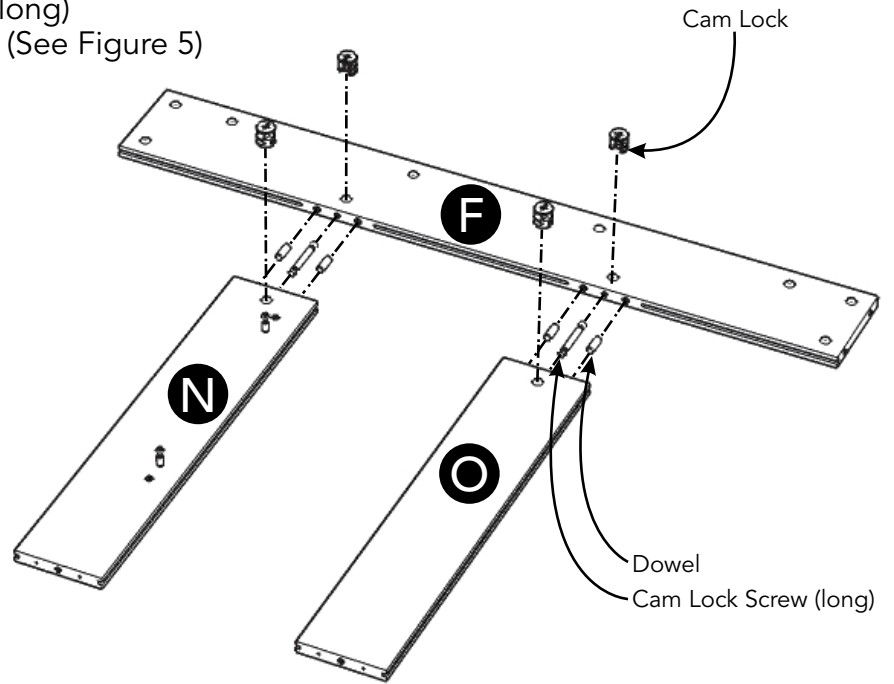


Figure 5



STEP 5

Insert Dowels into pre-drilled holes in unit and Front Rails (G) and (H).

Attach Middle Panel (E) to unit with Cam Locks.

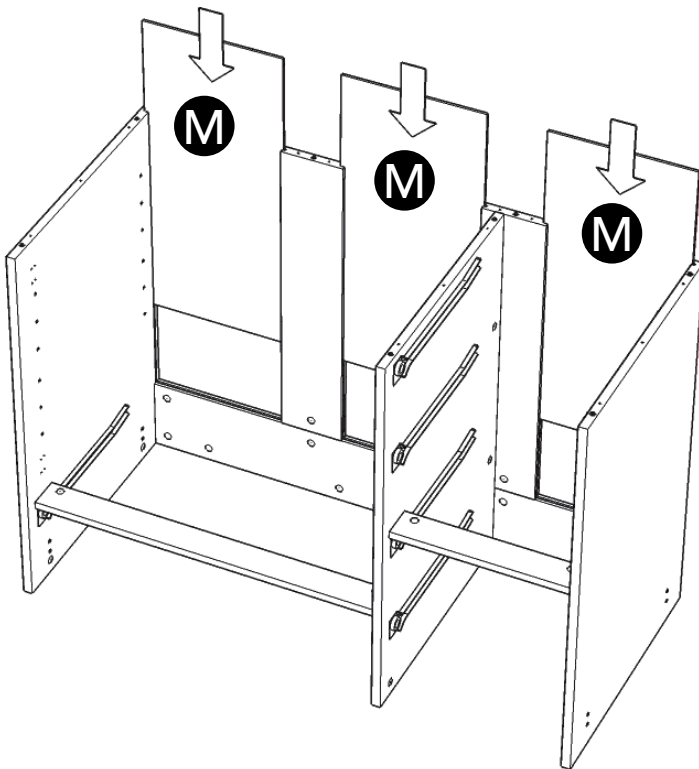
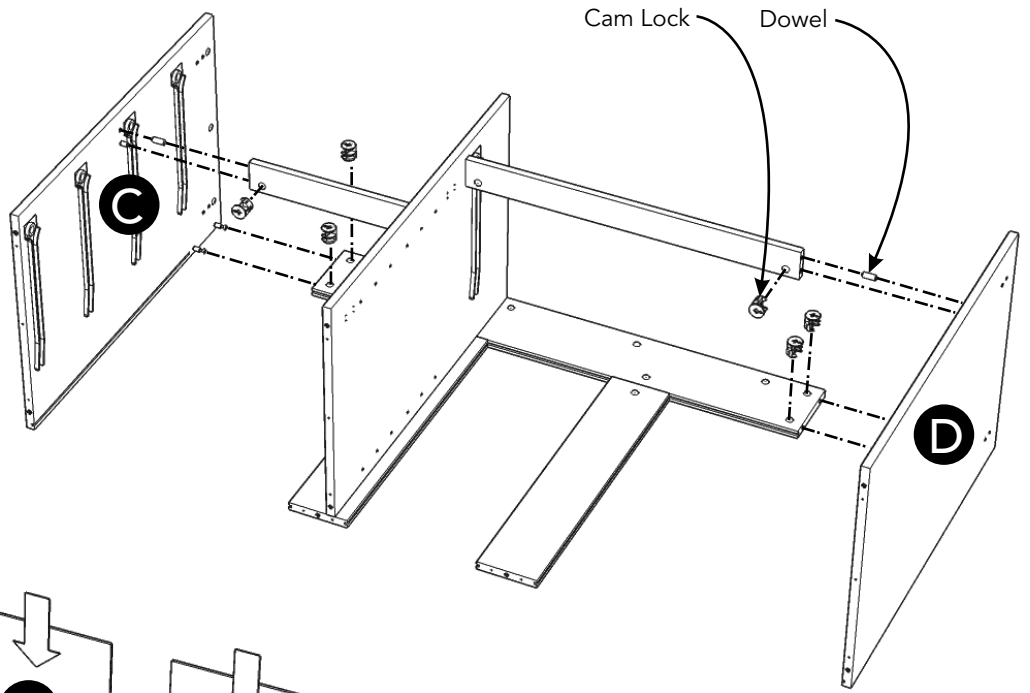
Attach Front Rails (G) and (H) to unit with Cam Locks.

Assembly Instructions 5/10

STEP 6

Insert Dowels into pre-drilled holes in unit.

Attach Side Panels (C) and (D) to unit with Cam Locks.



STEP 7

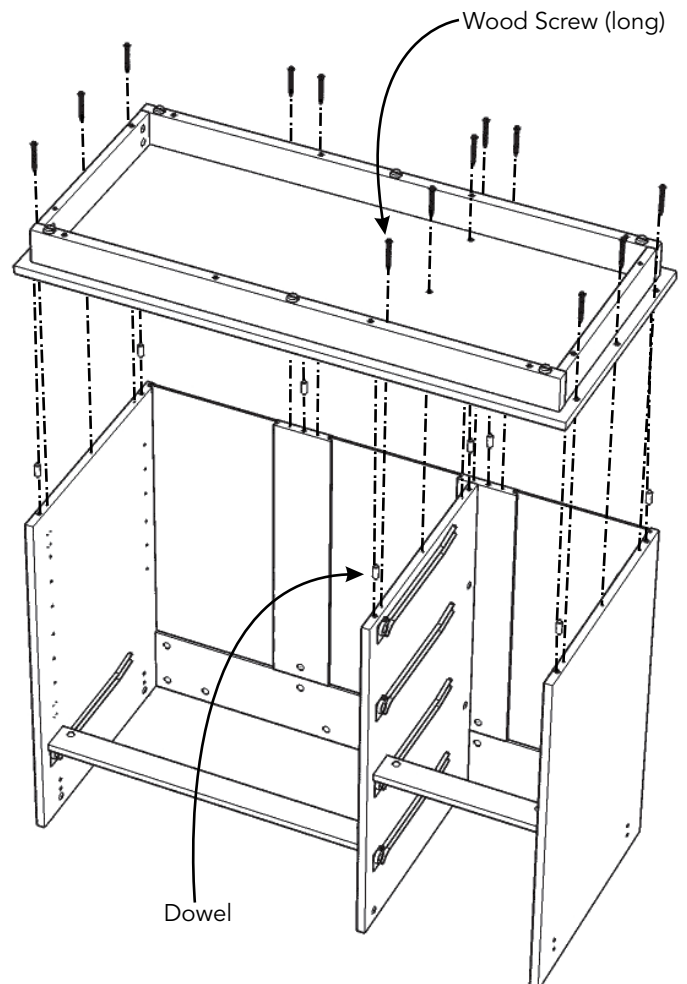
Place unit upside down on a soft cloth.

Slide Back Panels (M) into position.

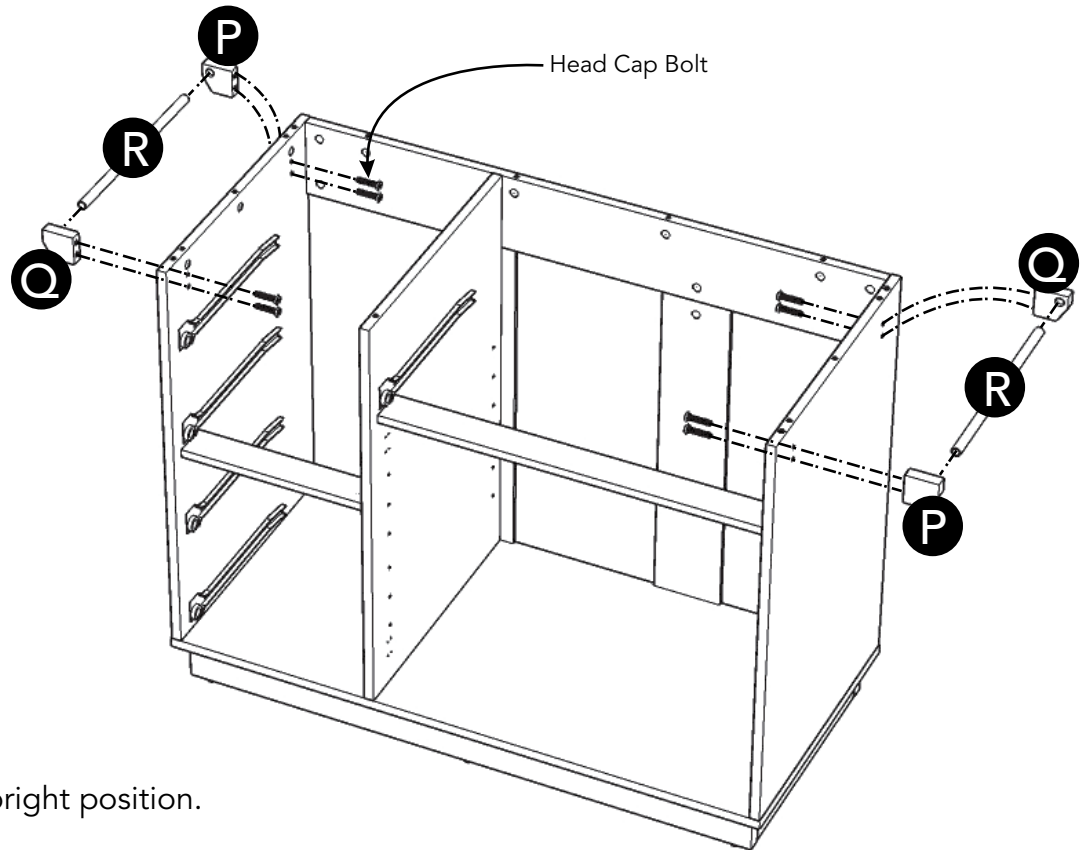
STEP 8

Insert Dowels into pre-drilled holes in unit.

Attach unit from Step 3 to unit with Wood Screws (long), into pre-drilled holes.



Assembly Instructions 6/10



STEP 9

Turn unit over to its upright position.

Attach Arms (P) to unit with Head Cap Bolts.

Slide Towel Bars (R) into pre-drilled holes in Arms (P).

Attach Arms (Q) to unit with Head Cap Bolts.

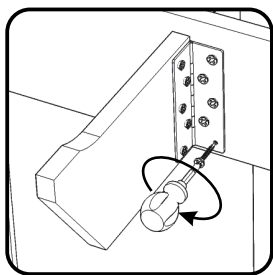
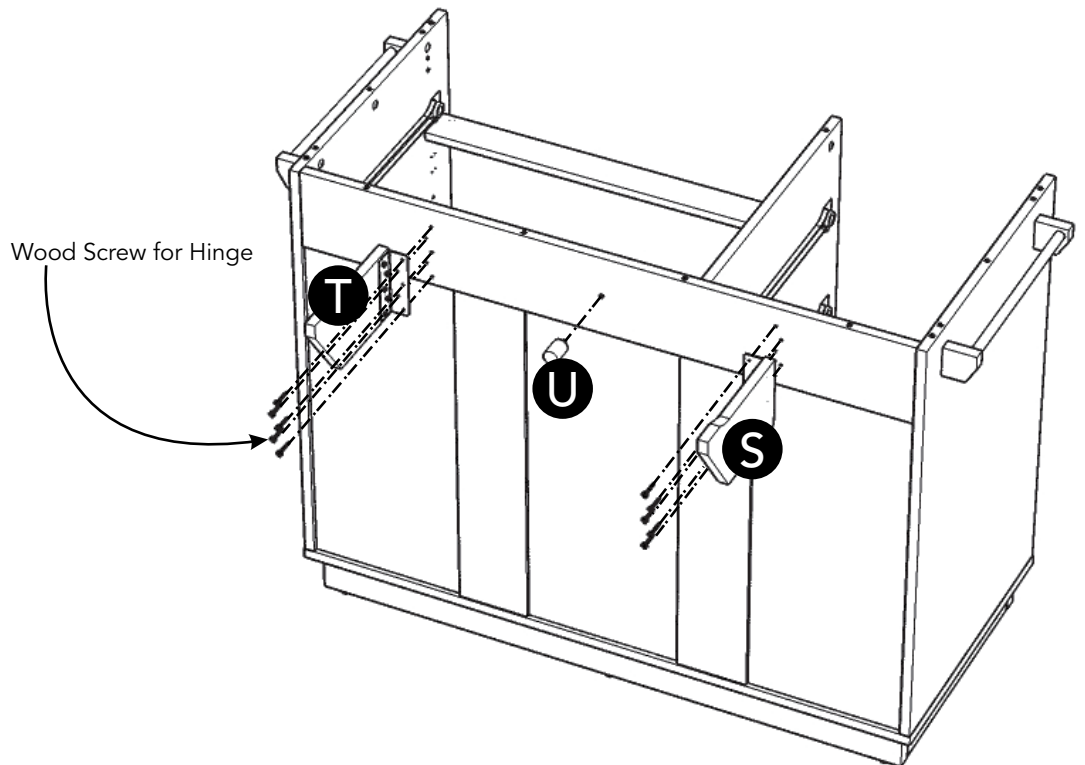


Figure 6



STEP 10

Attach Back Supports (S) and (T) to unit with Wood Screws for Hinge.
(See Figure 6)

Insert Back Support (U) into pre-drilled hole in unit, then tighten.

Assembly Instructions 7/10

STEP 11

Attach Hinges to Doors (V) with Wood Screws for Hinge into pre-drilled holes, then tighten. (See Figure 7)

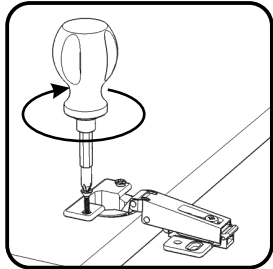
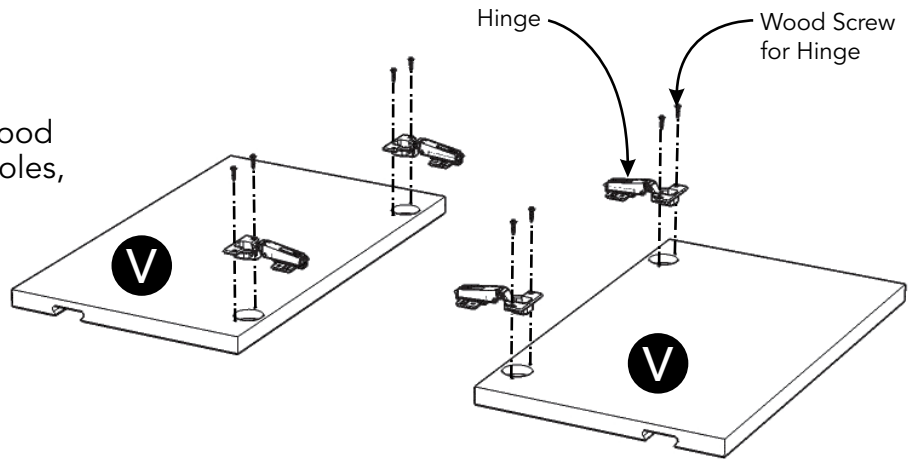


Figure 7



STEP 12

Attach Doors (V) to unit with Wood Screws for Hinge. (See Figure 8)

Insert Adjustable Pins into side panel and middle panel at desired level. (See Figure 9)

Place Shelves (I) into position.

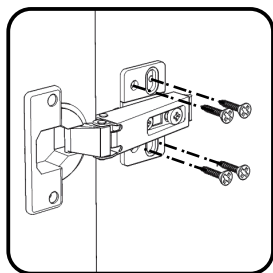


Figure 8

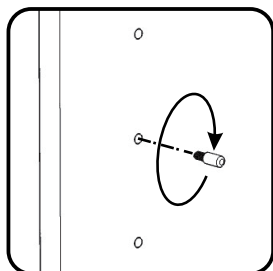
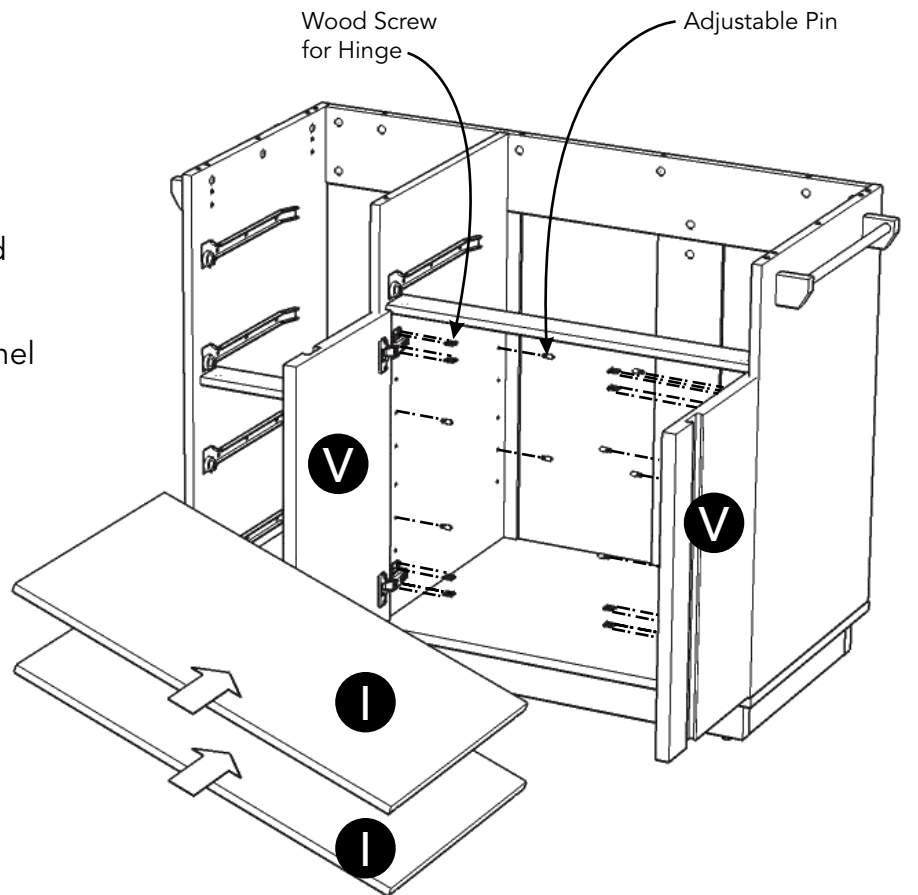
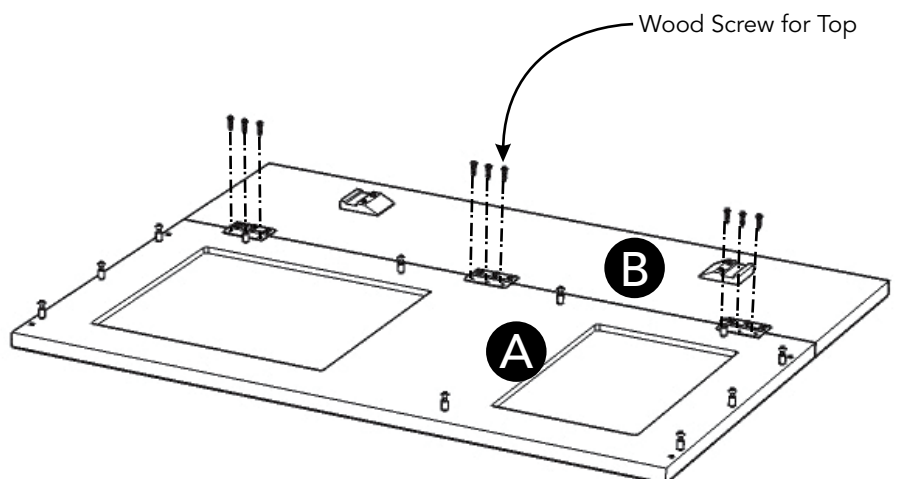


Figure 9

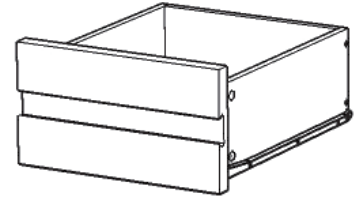
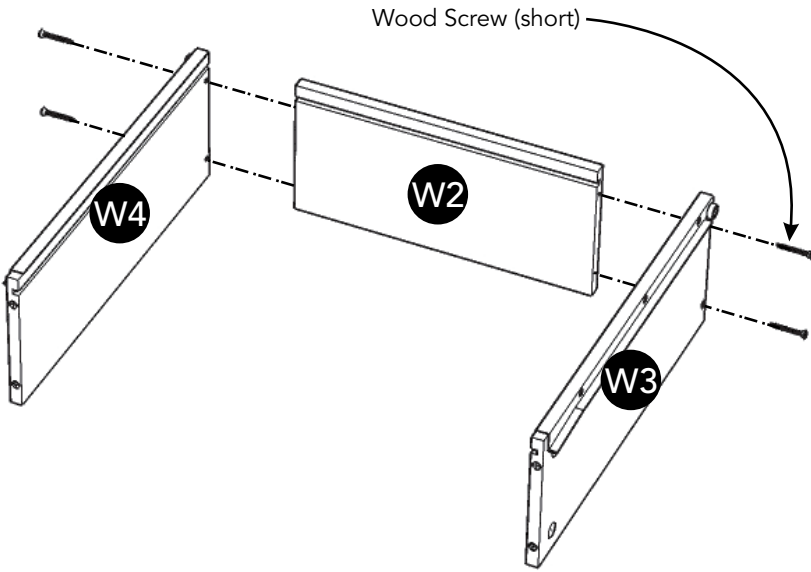
STEP 13

Attach Leaf Top (B) to Top (A) with Wood Screws for Top.



Assembly Instructions 8/10

Drawer (W)

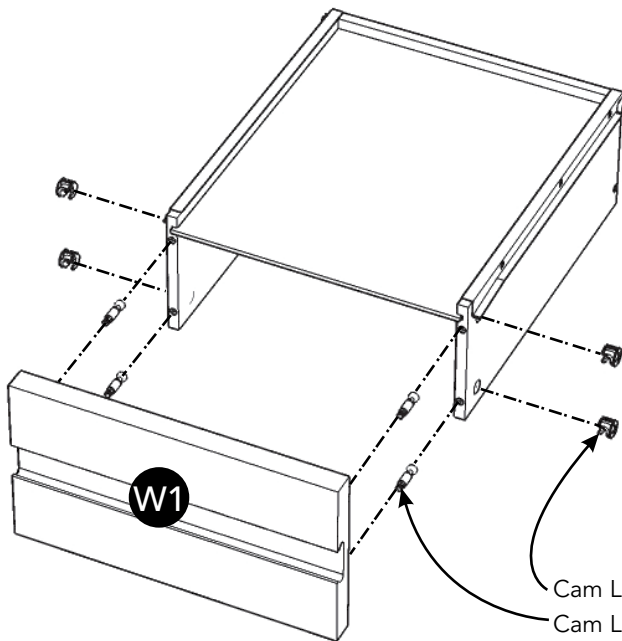
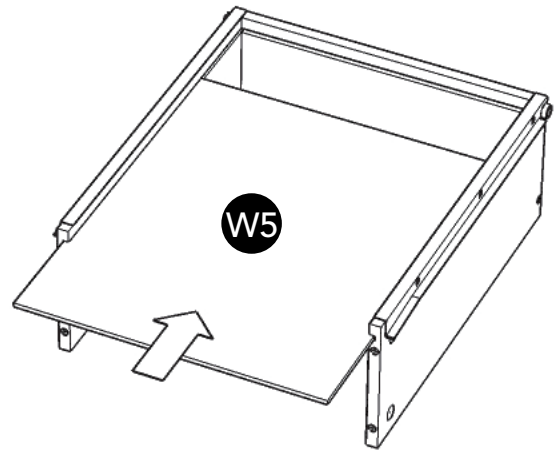


STEP 14

Attach Drawer Sides (W3) and (W4) to Drawer Back (W2) with Wood Screws (short).

STEP 15

Slide Drawer Bottom (W5) into groove.

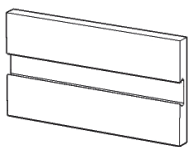


STEP 16

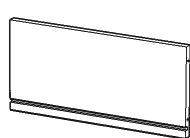
Insert Cam Lock Screws into pre-drilled holes in Drawer Front (W1), then tighten.

Attach Drawer Front (W1) to unit with Cam Locks (small).

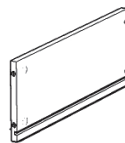
Part List



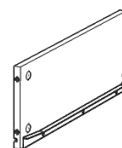
W1.
Drawer Front
4 pcs.



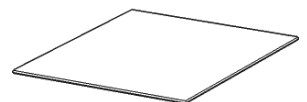
W2.
Drawer Back
4 pcs.



W3.
Drawer Side
4 pcs.



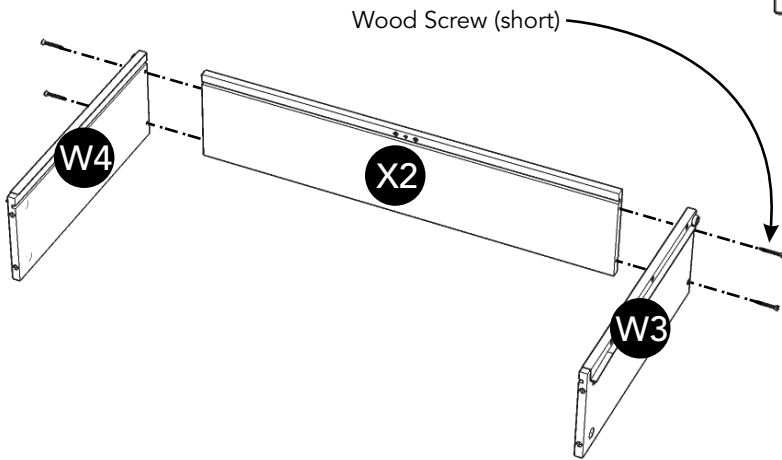
W4.
Drawer Side
4 pcs.



W5.
Drawer Bottom
4 pcs.

Assembly Instructions 9/10

Drawer (X)



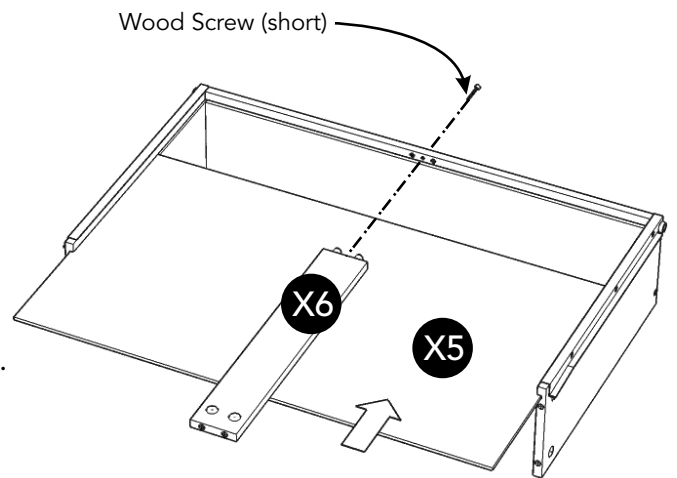
STEP 17

Attach Drawer Sides (W3) and (W4) to Drawer Back (X2) with Wood Screws (short).

STEP 18

Slide Drawer Bottom (X5) into groove.

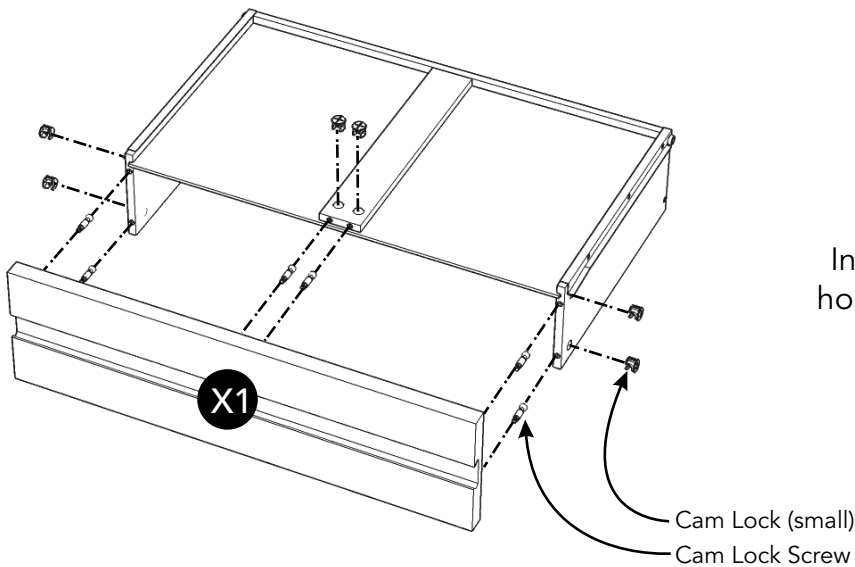
Attach Support (X6) to unit with Wood Screw (short).



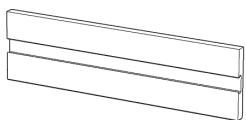
STEP 19

Insert Cam Lock Screws into pre-drilled holes in Drawer Front (X1), then tighten.

Attach Drawer Front (X1) to unit with Cam Locks (small).



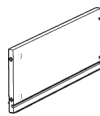
Part List



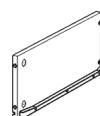
X1.
Drawer Front
1 pc.



X2.
Drawer Back
1 pc.



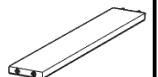
W3.
Drawer Side
1 pc.



W4.
Drawer Side
1 pc.



X5.
Drawer Bottom
1 pc.



X6.
Support
1 pc.

STEP 20

Insert Dowels into pre-drilled holes in unit from Step 12.

Attach top unit from Step 13 to unit from Step 12 with Cam Locks.

Level unit by adjusting the adjustable levelers on bottom of unit. (See Figure 10)

Note: Unit must be level to work properly.

Slide Drawers (W) and (X) into position.

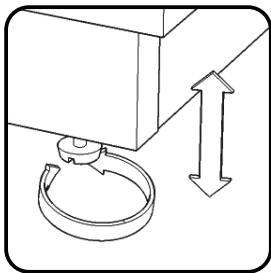
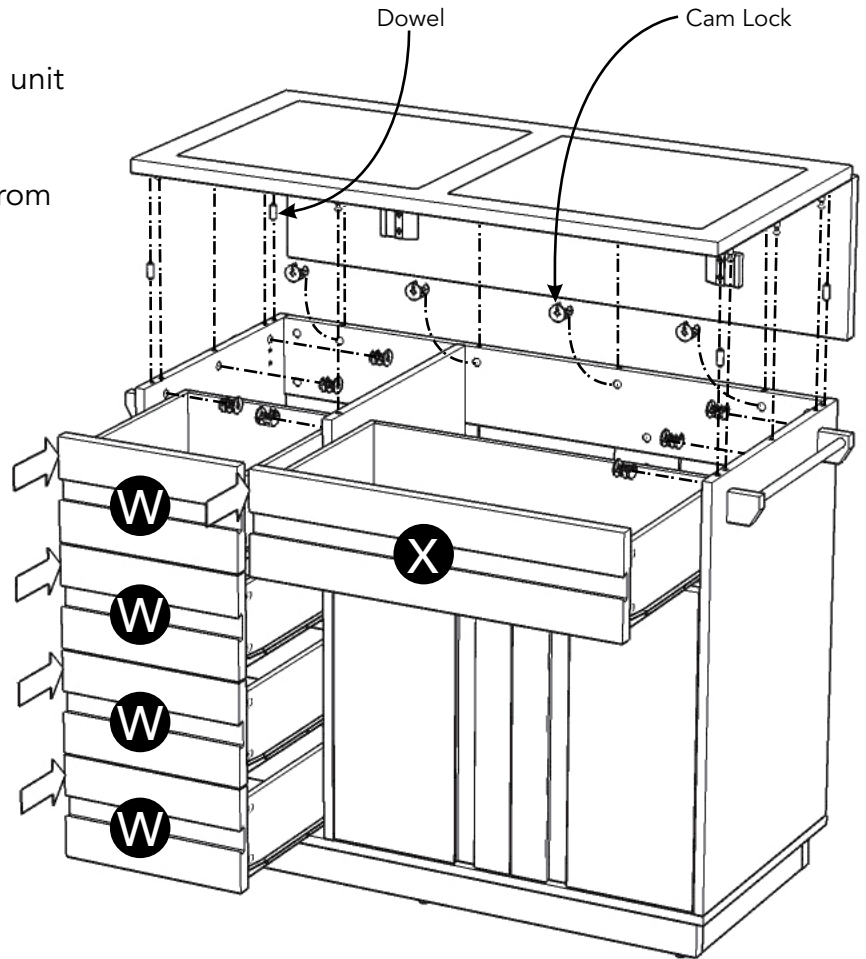


Figure 10

STEP 21

If needed, adjust doors up or down by removing the front Wood Screws for Hinge and loosening slightly the back Wood Screws for Hinge from side panel and middle panel, adjusting doors up or down and re-installing screws. (See Figure 11).

If needed, adjust doors left to right. (See Figure 12)

If needed, adjust doors front to back. (See Figure 13)

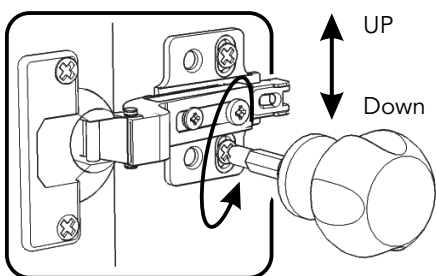


Figure 11

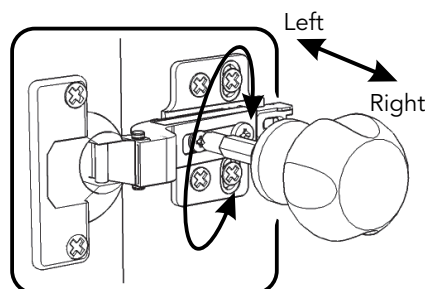


Figure 12

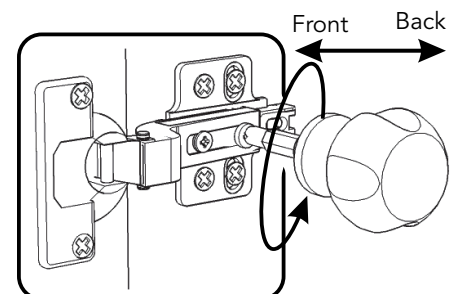


Figure 13

CARE INSTRUCTIONS

NEVER

allow liquids to remain on furniture.
Absorption causes parts to warp
and split and finishes to delaminate.

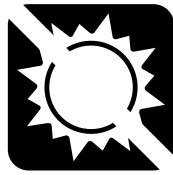
NEVER

use glass cleaners on
finished furniture. Ammonia
chemically attacks the finish.



Do not use power tools
above 8 volts to assemble.

**PREVENT
CRACKING**



Do not place
in direct sunlight.

**PREVENT
FADING**



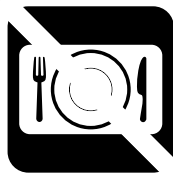
Do not write
directly on surface.

**PREVENT
MARKING**



Do not place hot
objects on surface.

**PREVENT
FINISH DAMAGE**



Do not use rubber
based placemats.

**PREVENT
DISCOLORING**



Do not use commercial
waxes and polishes.

**PREVENT
YELLOWING**

CLEAN

with a soft cloth moistened
in lukewarm soap and water.
Buff with a dry clean cloth.



Home Styles will provide replacements free of charge for missing or damaged hardware or parts within 30 days of purchase. Digital images of the defective parts may be required. If the product was not purchased from an authorized retail affiliate, Home Styles is under no obligation to provide replacement parts. Parts are not available for fully assembled items nor are parts available for sale. Replacements for missing or damaged hardware or parts may be requested at:

www.homestyles-furniture.com/customer-service/replacement-parts

Home Styles Customer Service: www.homestyles-furniture.com,
servicedesk@homestyles-furniture.com, 888-680-7460, 877-831-0319