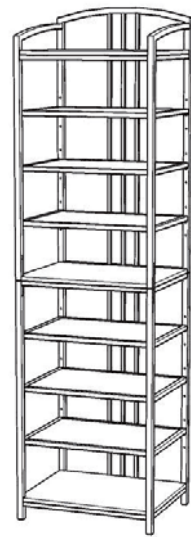


Closet Wall Shelf Unit



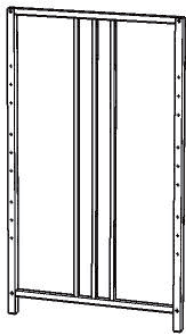
IMPORTANT

Carefully remove all the parts from the carton and place them individually on a soft cloth to prevent scratches or other damage.

Carefully and strictly follow these assembly instructions to ensure a completed product as designed.

Do not use power tools above 8 volts to assemble.

Part List



A.
Back Frame
1 pc.



B.
Side
1 pc.



C.
Side
1 pc.



D.
Rail
3 pcs.



E.
Shelf
1 pc.



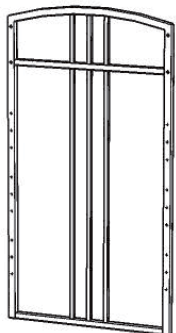
I.
Shelf
1 pc.



J.
Shelf
6 pcs.



K.
Base
1 pc.



F.
Back Frame
1 pc.



G.
Side
1 pc.



H.
Side
1 pc.

Hardware List



Hex Wrench
1 pc.



Small Hex Wrench
1 pc.



M6x16
Head Cap Bolt
32 pcs. (+1 extra)



M6x32
Tapered Bolt
2 pcs. (+1 extra)



Spring Washer
32 pcs. (+1 extra)



M6x44
Tapered Bolt (long)
8 pcs. (+1 extra)



Flat Washer
14 pcs. (+1 extra)



Adjustable Pin
24 pcs. (+1 extra)



Flat Washer (large)
18 pcs. (+1 extra)



M3x15
Wood Screw
8 pcs. (+1 extra)



Bracket
2 pcs.

Tool(s) required for assembly: Phillips screwdriver, Level, Drill (8 volts or less), 3/8" Drill Bit

Home Styles Customer Service: www.homestyles-furniture.com,
servicedesk@homestyles-furniture.com, 888-680-7460, 877-831-0319

Assembly Instructions 2/8

IMPORTANT

- Use a soft cloth between these parts and the floor.
- Do not use power tools above 8 volts to assemble.
- Do not tighten all the bolts until each part is properly assembled.
- The unit must be level to work properly. Use the included adjustable levelers to level.
- Keep Hex Wrench as the bolts may need to be tightened in the future.

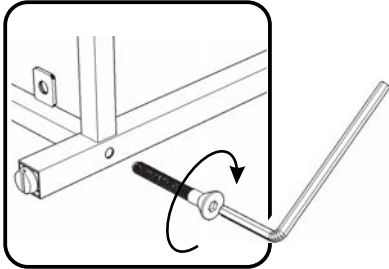


Figure 1

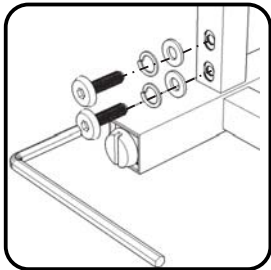
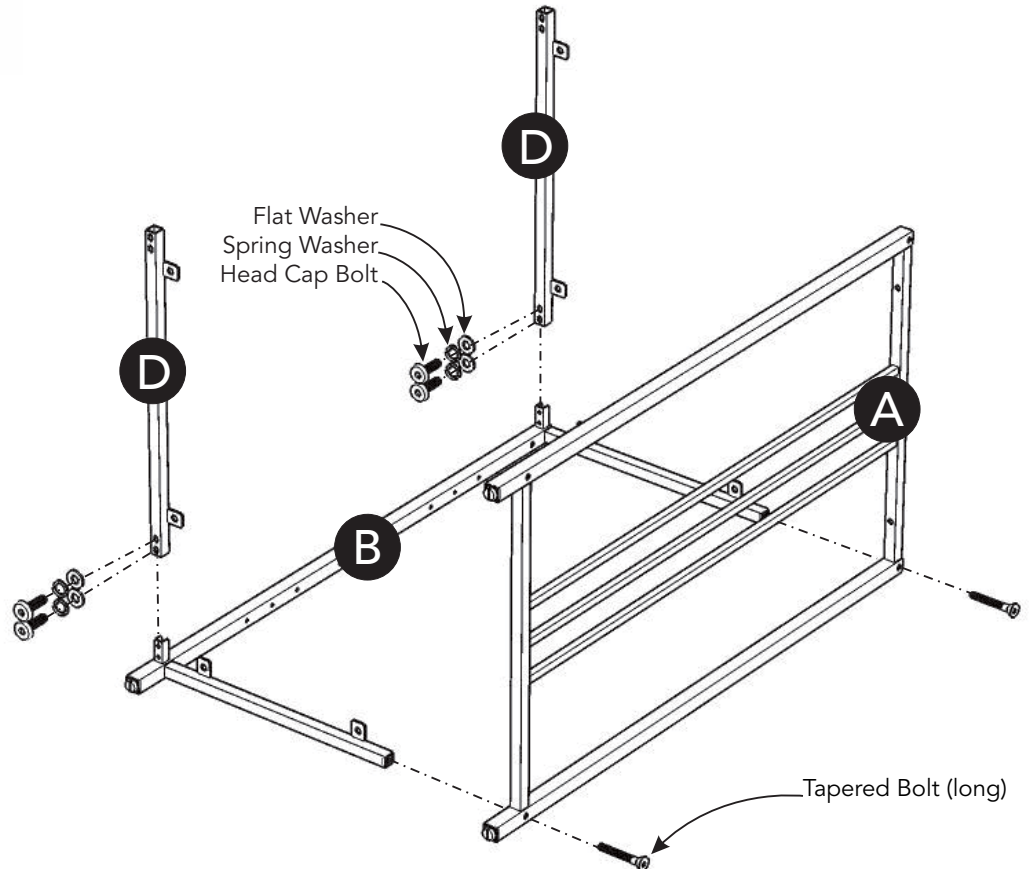


Figure 2

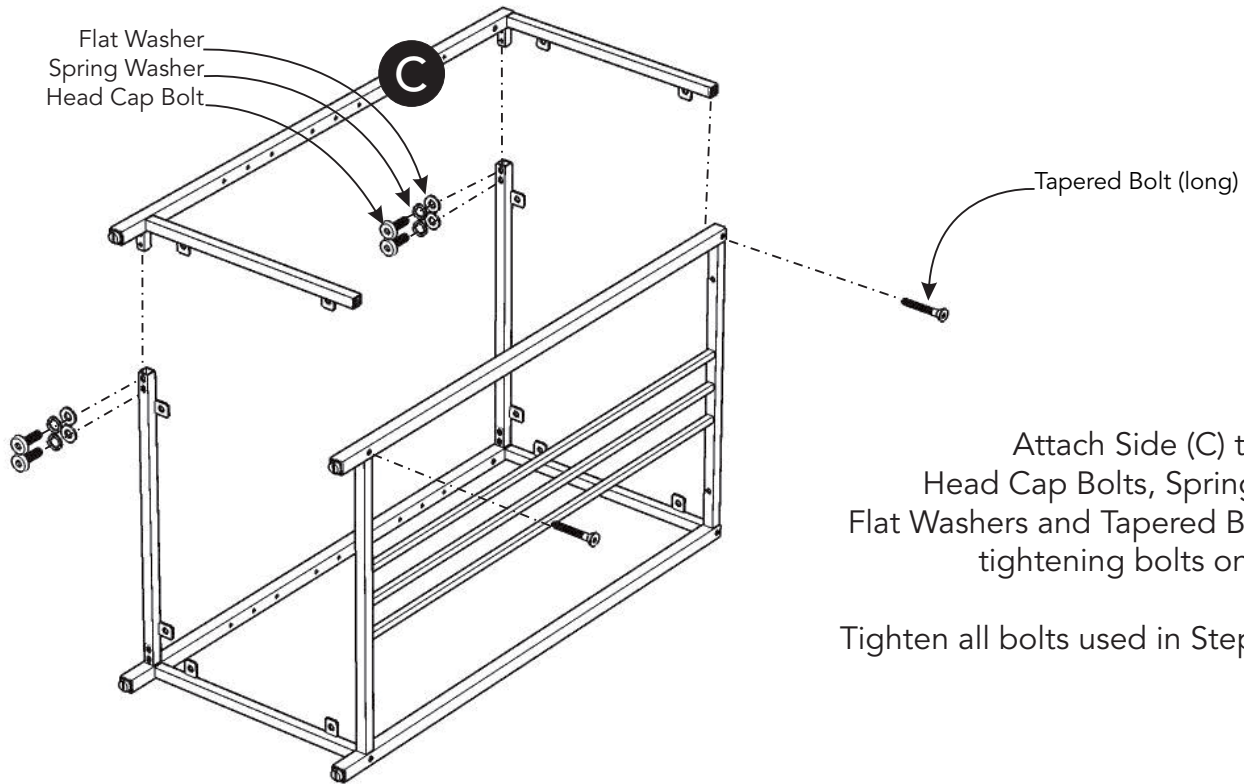


STEP 1

Attach Side (B) to Back Frame (A) with Tapered Bolts (long), tightening bolts only halfway. (See Figure 1)

Attach Rails (D) to unit with Head Cap Bolts, Spring Washers and Flat Washers, tightening bolts only halfway. (See Figure 2)

Assembly Instructions 3/8



STEP 2

Attach Side (C) to unit with Head Cap Bolts, Spring Washers, Flat Washers and Tapered Bolts (long), tightening bolts only halfway.

Tighten all bolts used in Steps 1 and 2.

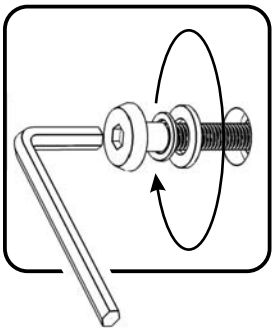
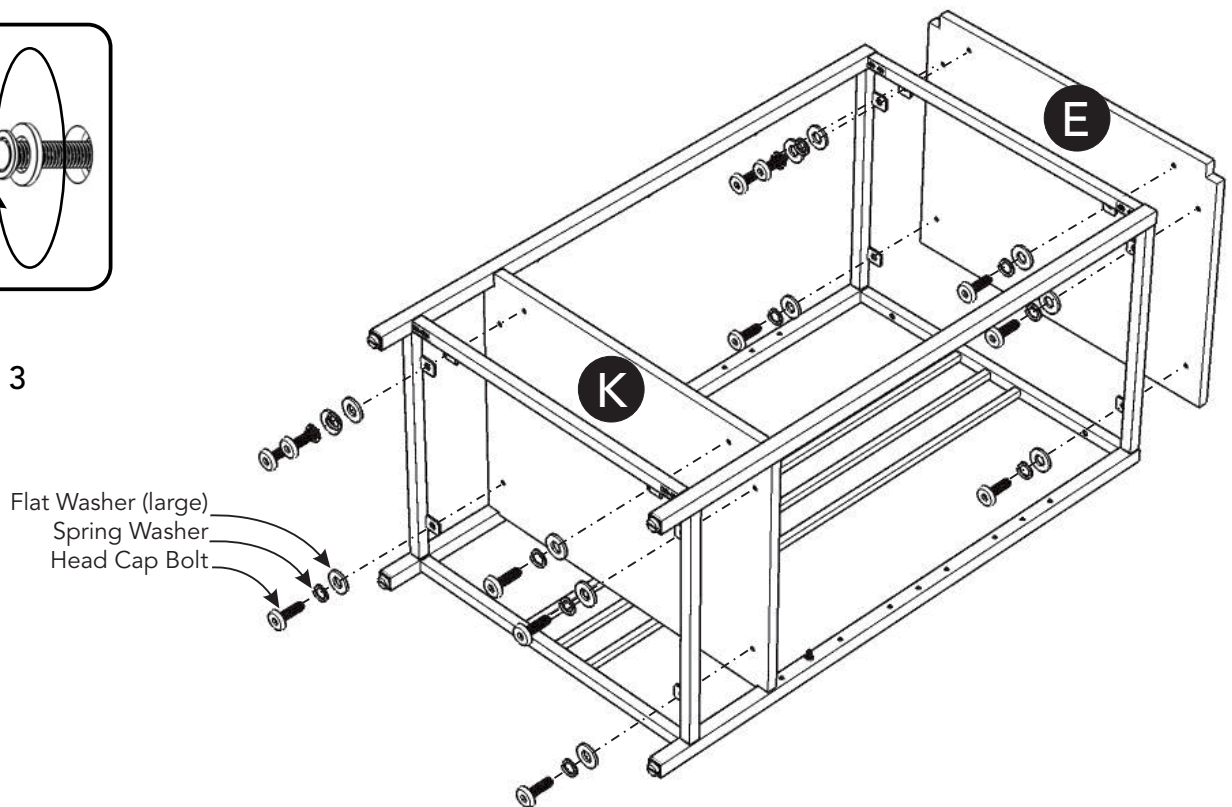


Figure 3



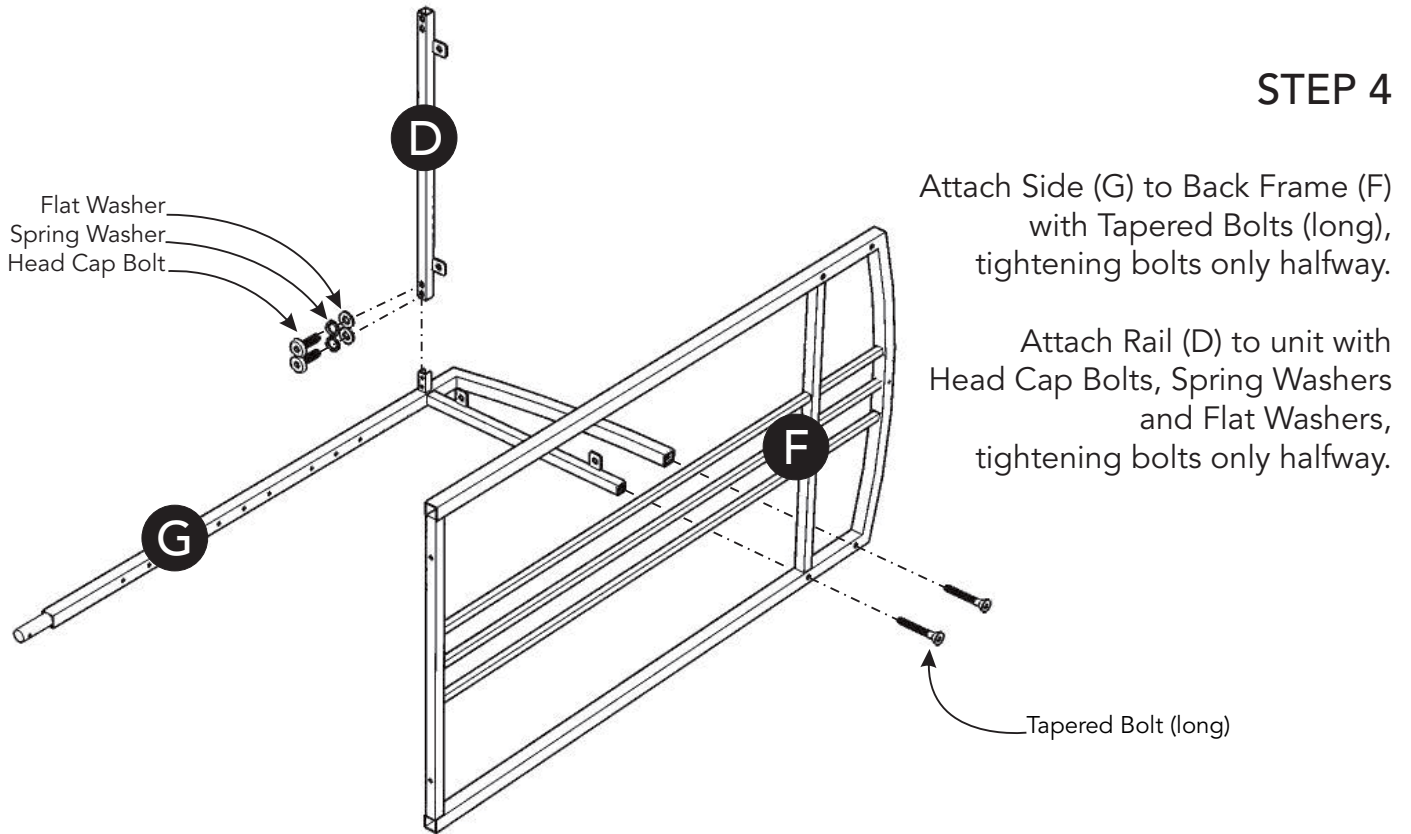
STEP 3

Attach Shelf (E) and Base (K) to unit with Head Cap Bolts, Spring Washers and Flat Washers (large), tightening bolts only halfway. (See Figure 3)

Tighten all bolts.

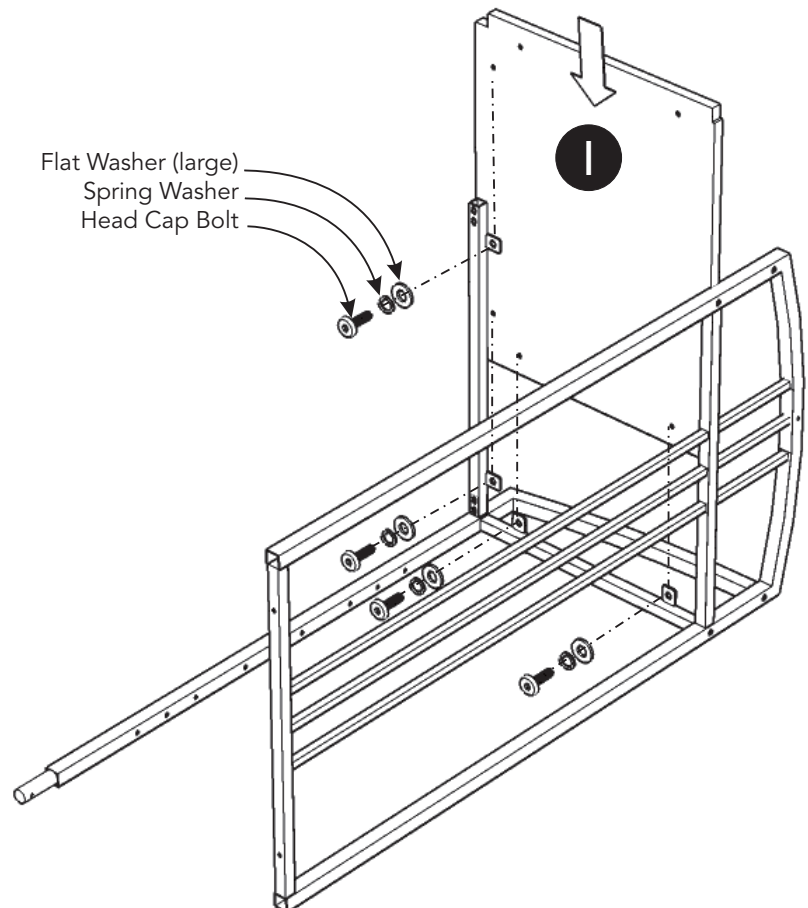
Assembly Instructions 4/8

STEP 4



STEP 5

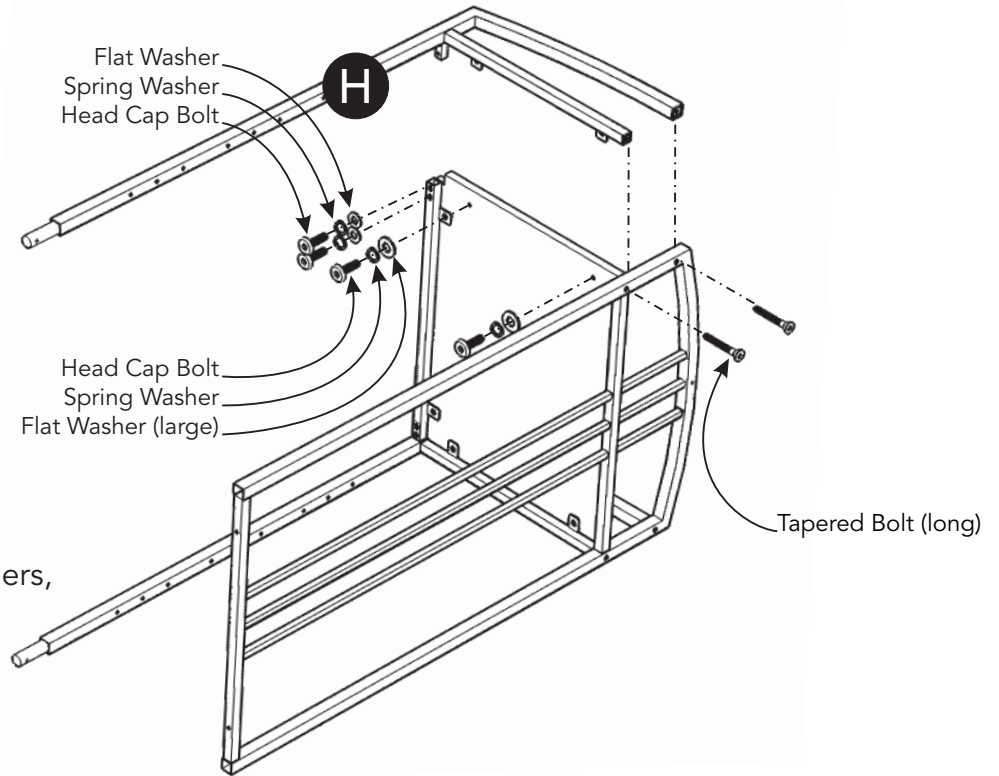
Attach Shelf (I) to unit with Head Cap Bolts, Spring Washers and Flat Washers (large), tightening bolts only halfway.



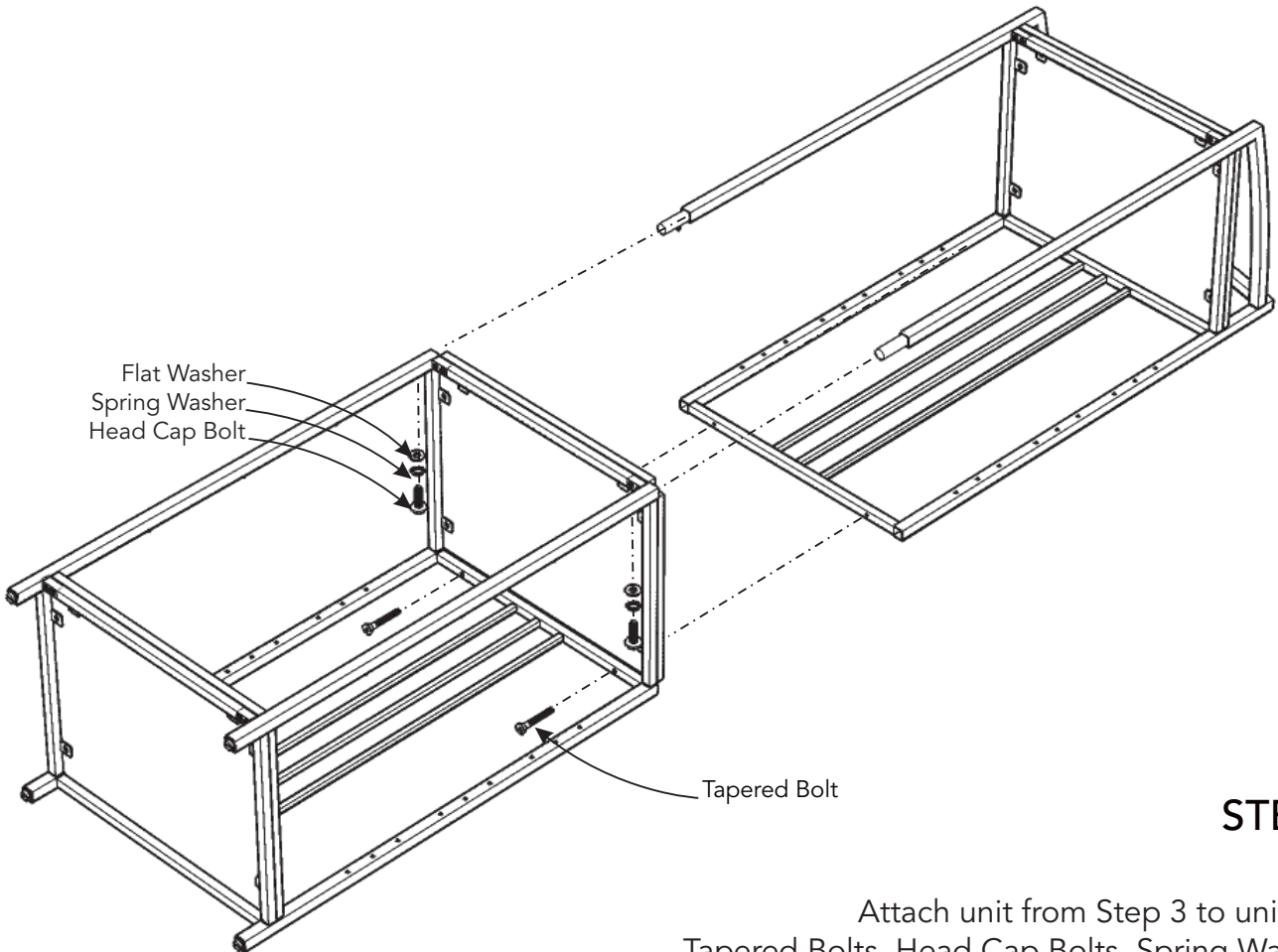
Assembly Instructions 5/8

STEP 6

Attach Side (H) to unit with Head Cap Bolts, Spring Washers, Flat Washers, Flat Washers (large) and Tapered Bolts (long), tightening bolts only halfway.



Tighten all bolts used in Steps 4, 5 and 6.

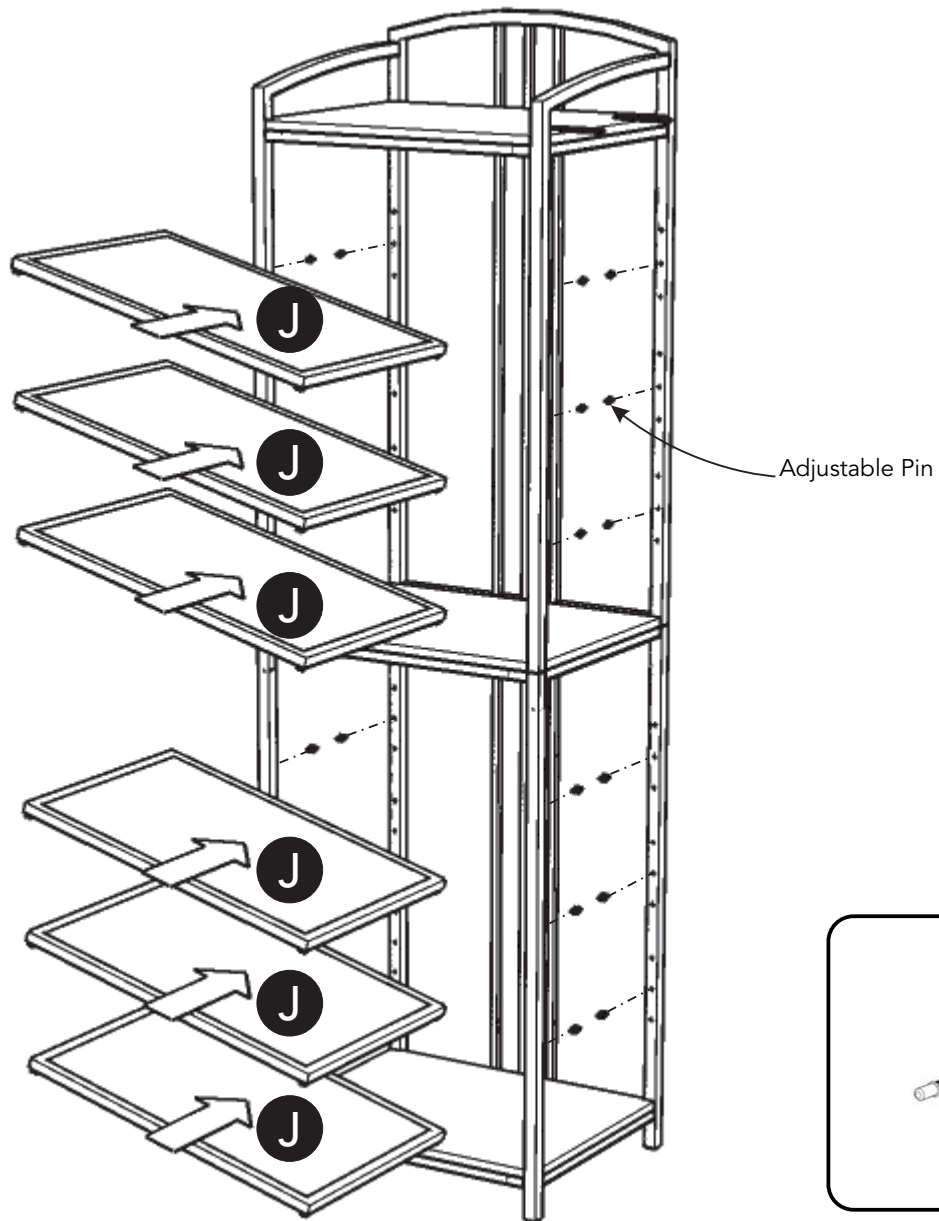


STEP 7

Attach unit from Step 3 to unit with Tapered Bolts, Head Cap Bolts, Spring Washers and Flat Washers, tightening bolts only halfway.

Tighten all bolts.

Assembly Instructions 6/8



STEP 8

Turn unit to its upright position.

Insert Adjustable Pins into unit at desired level.
(See Figure 4)

Place Shelves (J) into position.

Place unit at desired location.

Note: If assembling multiple Closet Wall Units together place all units
at desired location.

Level unit(s) by adjusting the adjustable levelers on bottom of unit(s).
(See Figure 5)

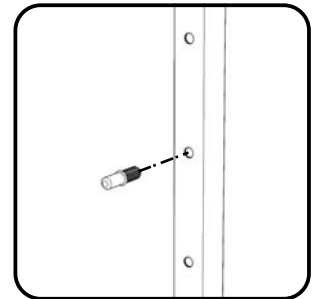


Figure 4

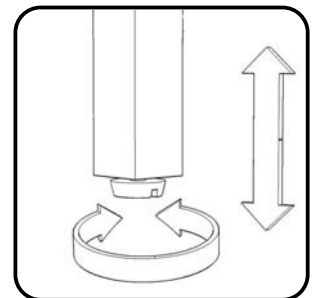


Figure 5

Assembly Instructions 7/8

IMPORTANT

- To help reduce the risk of the unit tipping over, the Tipover Restraint must be installed following these instructions exactly.

STEP 9

Drill a 3/8" hole in wall in-line with pre-drilled hole at top of unit.

Move unit.

Insert Anchor into the wall hole and attach Bracket with Wall Screw.

Attach Bracket at pre-drilled hole at back of unit with Machine Screw.

Move unit back into place.

If assembling multiple Closet Wall Units together, go to and complete Step 10 now, then return to and complete Step 9.

Slide Tipover Restraint through Bracket on wall and Bracket on unit.
(See Figure 6)

Put tie end of Tipover Restraint into lock end of Tipover Restraint and pull until tight.

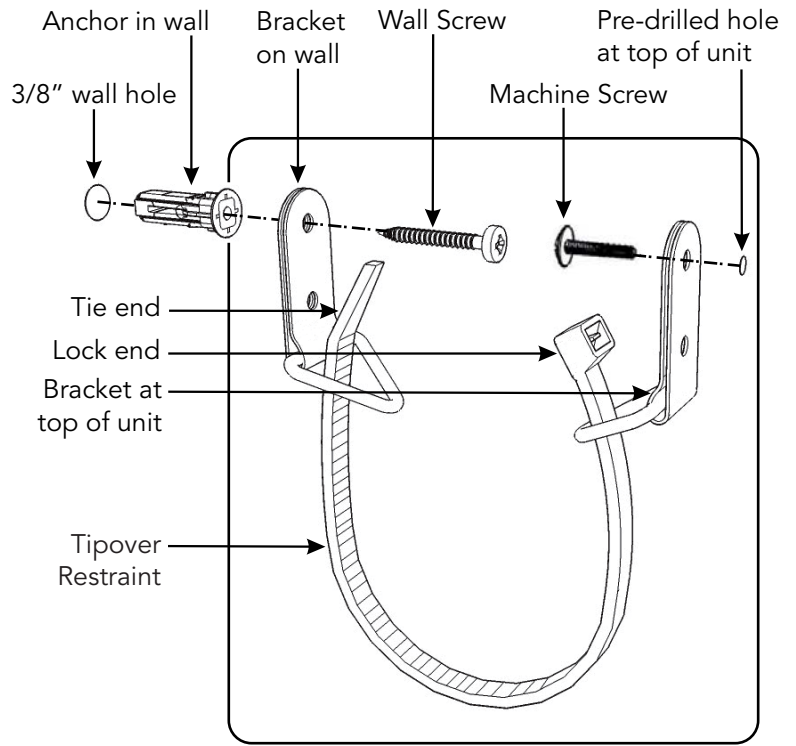
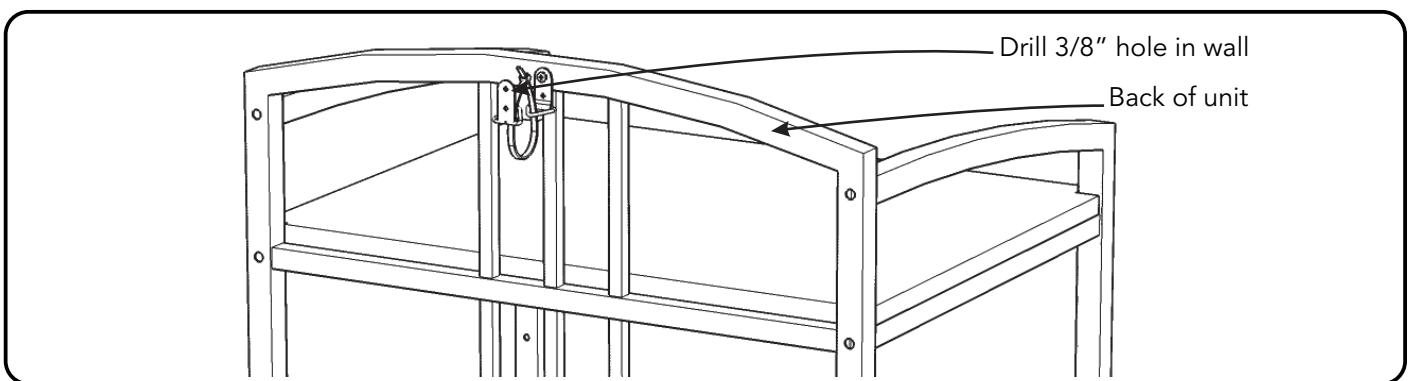
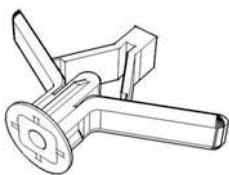


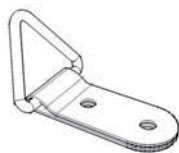
Figure 6



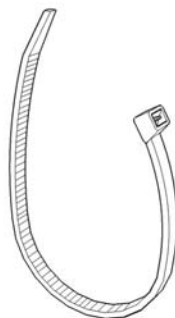
Hardware List



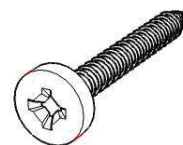
Anchor
1 pc. (+1 extra)



Bracket
2 pcs. (+1 extra)



Tipover Restraint
1 pc. (+1 extra)

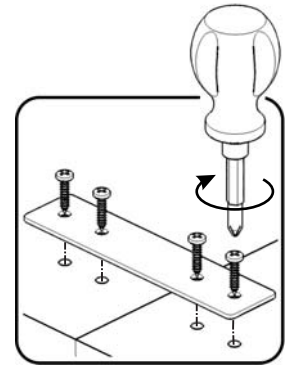
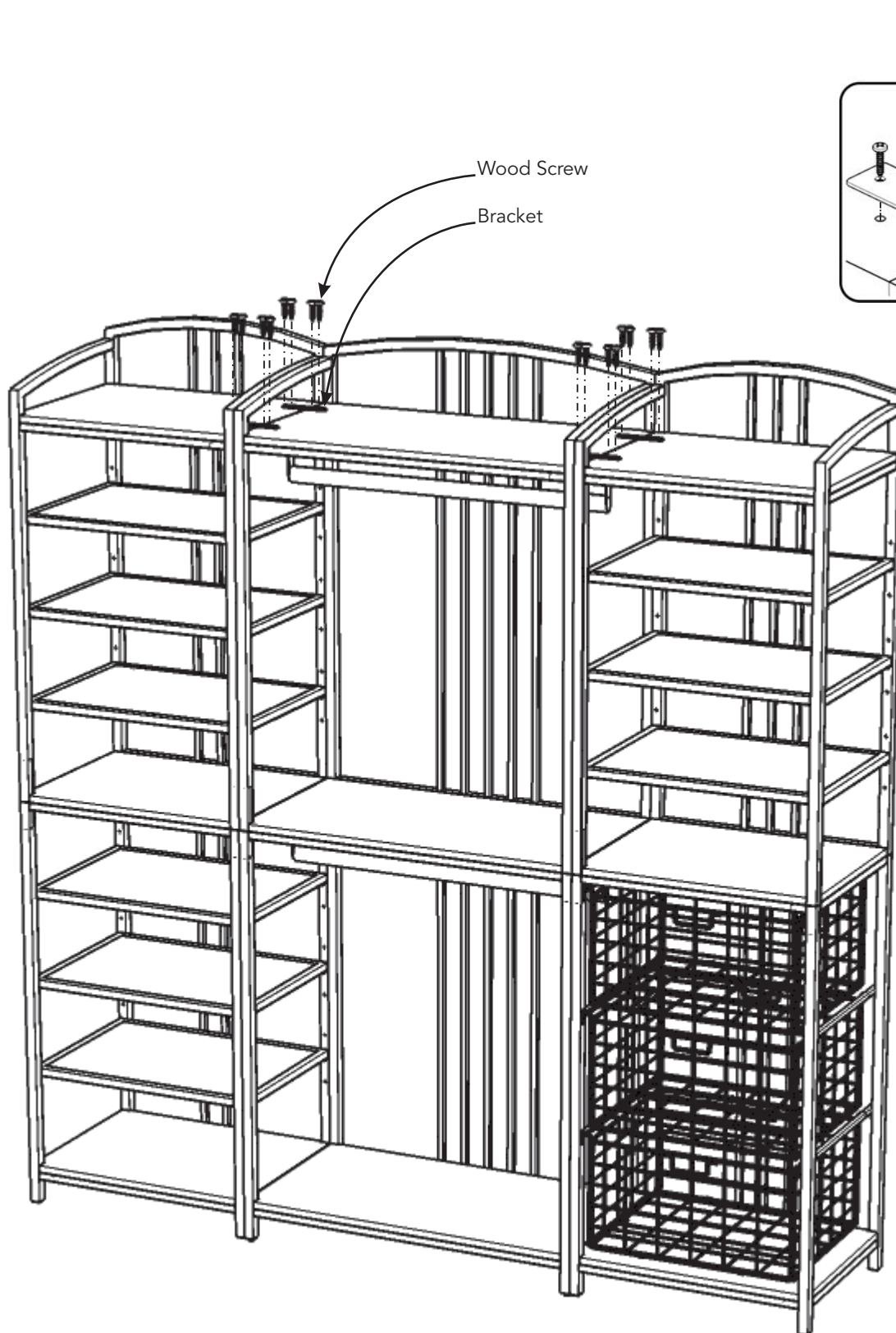


M3.5x40
Wall Screw
1 pc. (+1 extra)



M4x10
Machine Screw
1 pc. (+1 extra)

Assembly Instructions 8/8



STEP 10

Note: If assembling multiple Closet Wall Units together, complete Step 10.

Attach tops of units together with Brackets and Wood Screws into pre-drilled holes.
(See Figure 7)

Return to and complete Step 9.

CARE INSTRUCTIONS

NEVER

allow liquids to remain on furniture.
Absorption causes parts to warp
and split and finishes to delaminate.

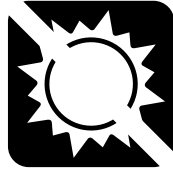
NEVER

use glass cleaners on
finished furniture. Ammonia
chemically attacks the finish.



Do not use power tools
above 8 volts to assemble.

**PREVENT
CRACKING**



Do not place
in direct sunlight.

**PREVENT
FADING**



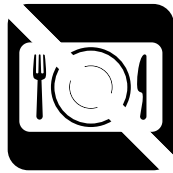
Do not write
directly on surface.

**PREVENT
MARKING**



Do not place hot
objects on surface.

**PREVENT
FINISH DAMAGE**



Do not use rubber
based placemats.

**PREVENT
DISCOLORING**

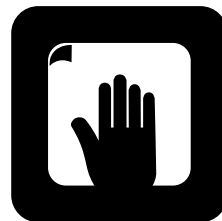


Do not use commercial
waxes and polishes.

**PREVENT
YELLOWING**

CLEAN

with a soft cloth moistened
in lukewarm soap and water.
Buff with a dry clean cloth.



Home Styles will provide replacements free of charge for missing or damaged hardware or parts within 30 days of purchase. Digital images of the defective parts may be required. If the product was not purchased from an authorized retail affiliate, Home Styles is under no obligation to provide replacement parts. Parts are not available for fully assembled items nor are parts available for sale. Replacements for missing or damaged hardware or parts may be requested at:

www.homestyles-furniture.com/customer-service/replacement-parts

Home Styles Customer Service: www.homestyles-furniture.com,
servicedesk@homestyles-furniture.com, 888-680-7460, 877-831-0319