

GRACE DRESSER MIRROR

OWNER'S MANUAL

VENDOR ITEM NO. :
 PNRA83 - SNOWFALL
 PNRB83 - RAVEN
 PNRC83 - DARK MOCHA

PNKX83 - BLUEBERRY
 PNKG83 - ELEPHANT GREY



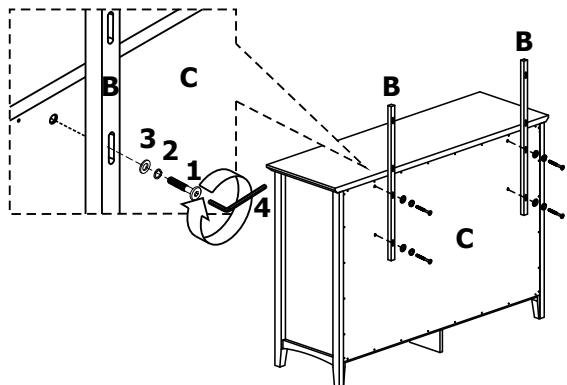
ASSEMBLY PARTS LIST

BOX 1 - DRESSER MIRROR (SKU PNRA83/PNRB83/PNRC83/PNKX83/PNKG83)				BOX 2 - 8 DRAWER DRESSER (SKU PNRA82/PNRB82/PNRC82/PNKX82/PNKG82) *SOLD SEPARATELY			
PART NO.	IMAGE	DESCRIPTION	QUANTITY	PART NO.	IMAGE	DESCRIPTION	QUANTITY
A		MIRROR	1	C		DRESSER	1
B		MIRROR SUPPORT	2				
MIRROR HARDWARE KIT PACKED IN BOX 1							
SKU : PNZZ83HW							
1		ALLEN BOLT (6X40mm)	8				
2		SPRING WASHER (M6)	8				
3		FLAT WASHER (M6)	8				
4		ALLEN KEY	1				

ASSEMBLY INSTRUCTIONS

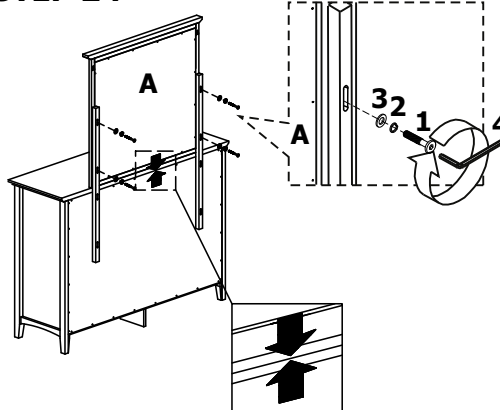
OPTION 1 : DRESSER MOUNTING

STEP 1 :



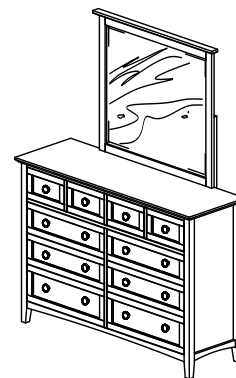
*DO NOT FULLY TIGHTEN BOLTS UNTIL FINAL STEP.

STEP 2 :



*ALL BOLTS CAN NOW BE FULLY TIGHTENED.

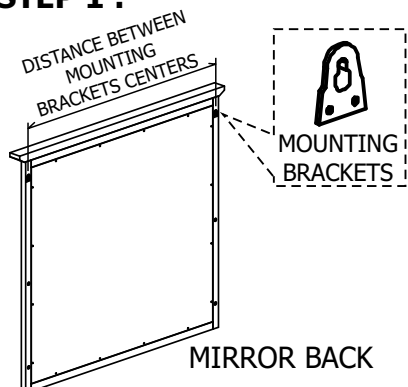
STEP 3 :



ASSEMBLY COMPLETE

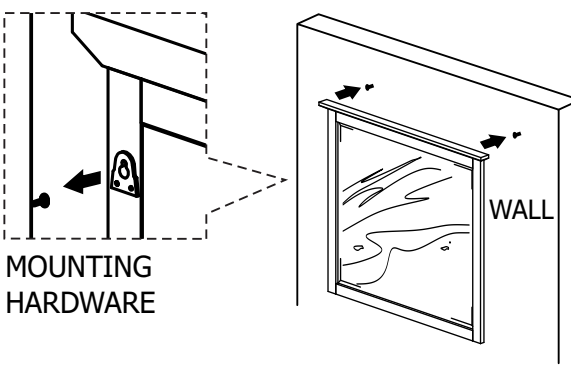
OPTION 2 : WALL MOUNTING

STEP 1 :

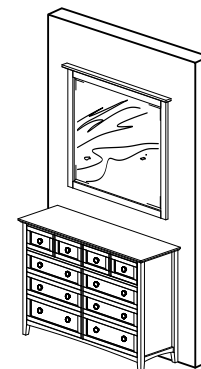


UPDATED : APRIL 14TH, 2023

STEP 2 :



*WALL MOUNTING HARDWARE NOT INCLUDED.



ASSEMBLY COMPLETE

GRACE DRESSER MIRROR

OWNER'S MANUAL



VENDOR ITEM NO. :

PNRA83 - SNOWFALL

PNRB83 - RAVEN



PNRC83 - DARK MOCHA

PNKX83 - BLUEBERRY

PNKG83 - ELEPHANT GREY

REPLACEABLE PARTS LIST

MIRROR - SNOWFALL, RAVEN, DARK MOCHA, BLUEBERRY, ELEPHANT GREY

DESCRIPTION	IMAGE	SKU
HARDWARE KIT		PNZZ83HW
MIRROR SUPPORT SET		PNRA83MS (Snowfall), PNRB83MS (Raven), PNRC83MS (Dark Mocha), PNKX83MS (Blueberry), PNKG83MS (Elephant Grey)



WARNING:

For wall mounting we recommend installing the mounting hardware into wall studs or a board that is secured to studs.

ROUTINE MAINTENANCE:

Periodically check all fittings and tighten if necessary, as they can loosen over time.

CARE AND CLEANING:

GLASS:

Clean with a slightly damp cloth and dry immediately with a lint-free cloth. Use only mild detergents and cleaning solutions which are recommended for cleaning glass.

WOOD:

Dust frequently with a clean, damp, lint-free cloth. Frequent dusting will remove abrasive build-up which can damage a finish over time. Avoid using oily polishes or waxes. Avoid exposing your furniture to strong sunlight. Prolonged exposure to direct sunlight can fade the finish of your furniture. Do not expose your furniture to any liquids. Never allow water to sit on your furniture. Do not place hot items on top of surface, always use a mat or other protector. Alcohol, nail polish and perfume are also dangerous, as they can dissolve the furniture finish on contact and may require professional repairs.