

Assembly Guide



Bush
FURNITURE

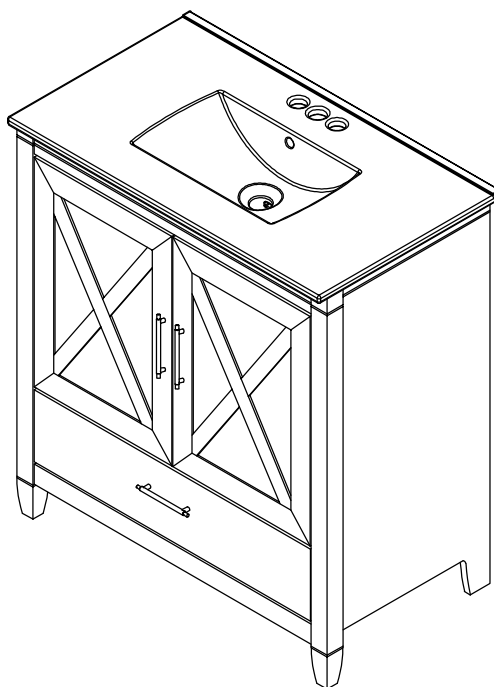


If you're having any difficulty during assembly of this product, don't hesitate to call us at **1-800-950-4782.**

Our customer service experts are trained to provide step-by-step instruction and can easily replace any missing or damaged parts.

Representatives are available Monday-Friday from 8:30 a.m. to 7:30 p.m. (ET)

32W Vanity



Lot Code #

Part Number A217159

Keep manual for future reference.

Bush[®]

FURNITURE

Thank you for purchasing this Bush Furniture product. We trust that you will be completely satisfied with your product for many years to come. Bush Furniture products are backed by a 1-year warranty and crafted with today's styles in mind for the way you work. **Do not return product to store — contact us first at 1-800-950-4782.**

Merci d'avoir acheté ce produit Bush Furniture. Nous sommes sûr que vous serez complètement satisfait de votre meuble pendant de nombreuses années. Les produits Bush Furniture sont garantis pendant 1 ans et sont conçus dans les styles actuels tout en gardant à l'esprit votre façon de travailler. **Ne renvoyez pas le produit au magasin, contactez-nous d'abord au 1-800-950-4782.**

Gracias por comprar este producto de Bush Furniture. Confiamos que usted estará completamente satisfecho con su mueble por muchos años. Los productos de Bush Furniture tienen 1 años de garantía y son diseñados con los estilos de hoy en mente para la manera que usted vive. **No devuelva el producto a la tienda, primero comuníquese con nosotros al 1-800-950-4782.**

CONTACT US

Monday – Friday
8:30 a.m. – 7:30 p.m. ET
(Except Holidays)

Bush Consumer Services
One Mason Drive, P.O. Box 460
Jamestown, NY 14701
ConsumerService@Bushindustries.com

1-800-950-4782 USA/CANADA
001-800-950-4782 MEXICO

Se habla español
Outside USA/CANADA/MEXICO
001-716-665-2510 Ext. 4514

IT'S AS EASY AS 1,2,3

Assembly tips:

1. Read the instructions and become familiar with the parts.
2. Ensure this carton contains all parts, fasteners and hardware.
3. To protect floors, assemble the furniture on the carton.
4. An assistant may be helpful.
5. Use of power tools is not recommended.

Conseils d'assemblage:

1. Lisez les instructions et familiarisez-vous avec les pièces.
2. Assurez-vous que le carton contient toutes les pièces, toutes les pièces de fixation et toute la quincaillerie.
3. Pour protéger vos sols, assemblez le meuble sur le carton.
4. Il peut être utile de vous faire aider.
5. L'utilisation d'outils électriques n'est pas recommandée.

Consejos de Ensamblaje:

1. Lea las instrucciones y familiarícese con las partes.
2. Asegúrese de que esta caja contenga todas las piezas, los sujetadores y el equipo.
3. Para proteger el piso, ensamble el mueble en el carton.
4. Un asistente puede serle útil.
5. El uso de herramientas eléctricas no se recomienda.



CONSUMER SERVICE

YOU CAN DEPEND ON

Questions? Operators are standing by at our TOLL-FREE help line to assist you with assembly; and, if necessary, to quickly replace damaged/missing parts. Assistance is available 5 days a week. Simply have your store receipt, instruction manual, and part number/description ready when you call our TOLL-FREE help line. It's that easy.

UN SERVICE CLIENTELE SUR LEQUEL VOUS POUVEZ COMPTER
Des questions? Des opérateurs sont prêts sur notre ligne d'assistance GRATUITE pour vous aider à l'assemblage et, si nécessaire, remplacer rapidement les pièces endommagées/manquantes. L'assistance est disponible 5 jours par semaine. Ayez simplement votre reçu de magasin, votre manuel d'instruction et le numéro de pièces/description à votre disposition lorsque vous appelez notre ligne d'assistance GRATUITE. C'est aussi simple que ça.

SERVICIO AL CONSUMIDOR CON EL QUE PUEDE CONTAR
¿Preguntas? Los operadores están listos para ayudarlo con el ensamblaje a través de una línea de ayuda GRATUITA, y en caso de ser necesario, reemplazar de inmediato las piezas dañadas o faltantes. La asistencia está disponible los 5 días de la semana. Solamente tenga listos su recibo de compra, manual de indicaciones y número/descripción de la pieza al momento de llamarnos a la línea de ayuda GRATUITA. Es así de sencillo.

www.bushfurniture.com

DOs

- ✓ Wear safety glasses at all times during assembly.
- ✓ Carefully follow the instructions in this guide and complete all steps in order.
- ✓ Give us a call if you're having trouble with a particularly tricky step.
- ✓ Use Stud Finder, Power drill, 1/8" drill bit, level, pencil, screwdriver, 100% Silicone Adhesive/Caulk (not included).
- ✓ Verify product is in final position and level before drilling wall holes.
- ✓ Use only through-wall plumbing attachments.
- ✓ Follow the instructions included with your plumbing fixtures.
- ✓ Install plumbing fixture and drain to Basin before attaching Basin to Vanity using 100% silicone adhesive.
- ✓ Allow adhesive 24 hours cure time to achieve full strength.
- ✓ Consult plumbing professional for specific installation questions and consult local codes as applicable.
- ✓ Use only plumbing fixtures designed to fit either single hole or 3-hole, 4" centerline faucets.

DON'Ts

- ✗ Do not attempt to use this product before all steps have been completed.



Watch assembly videos right on your phone or computer!



Some steps include QR codes that link to helpful videos. Watch out for the icon below! Simply open up your smartphone camera to scan the code.

(Users of older smartphones may need to install a QR Reader.)

SCAN HERE



FOR VIDEOS

Or visit <https://bushfurniture.com/help-faq/#assembling>

IMPORTANT SAFETY INFORMATION



PLEASE READ WARNINGS

Improper use can cause safety hazards, or damage to your furniture and household items.

Warning	Do	Don't	Why it's important
Serious injury may occur.	<ul style="list-style-type: none">Assemble following all instructions using all indicated parts and hardware provided.Install product only as described in the instructions.Verify furniture is stable on it's own.Only place against a permanent wall structure and attach directly to wall studs according to the instructions.	<ul style="list-style-type: none">Do not exceed the maximum load limits stated in the instructions.Do not allow children to climb, or hang on furniture.	Improper assembly, use or loading can lead to product instability, tip-over or collapse.

Advertencia	Hacer	No	Por qué es importante
Pueden producirse lesiones graves.	<ul style="list-style-type: none">Montar siguiendo todas las instrucciones utilizando todas las piezas y hardware indicados previsto.Instale el producto solo como se describe en las instrucciones.Verifique que los muebles sean estables por sí mismos.Solo colocar contra una pared permanente estructural y fijar directamente a los montantes de la pared de acuerdo con las instrucciones.	<ul style="list-style-type: none">No exceda los límites máximos de carga indicado en las instrucciones.No permita que los niños se suban o cuelguen en muebles.	Incorrecto montaje, uso o cargando puede conducir a producir inestabilidad, volcar o colapso.

Avertissement	Faire	Ne le fais pas	Pourquoi c'est important
Des blessures graves peuvent survenir.	<ul style="list-style-type: none">Assemblez en suivant toutes les instructions en utilisant toutes les pièces et le matériel indiqués à condition de.Installez le produit uniquement comme décrit dans les instructions.Vérifiez que les meubles sont stables par eux-mêmes.Placer uniquement contre un mur permanent structure et attachez directement aux poteaux de mur selon les instructions.	<ul style="list-style-type: none">Ne dépassez pas les limites de charge maximale indiqué dans les instructions.Ne laissez pas les enfants grimper ou se suspendre sur les meubles.	Non conforme assemblage, utilisation ou chargement peut mener au produit instabilité, basculement ou effondrer.

Wall Anchoring Guide

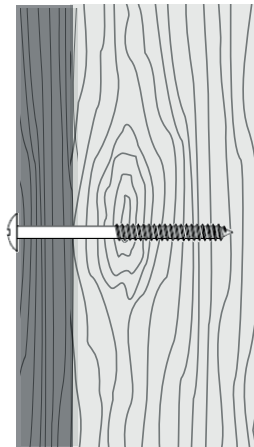
This product must attach only to a wooden wall stud. If you have questions, consult with a local hardware retailer.

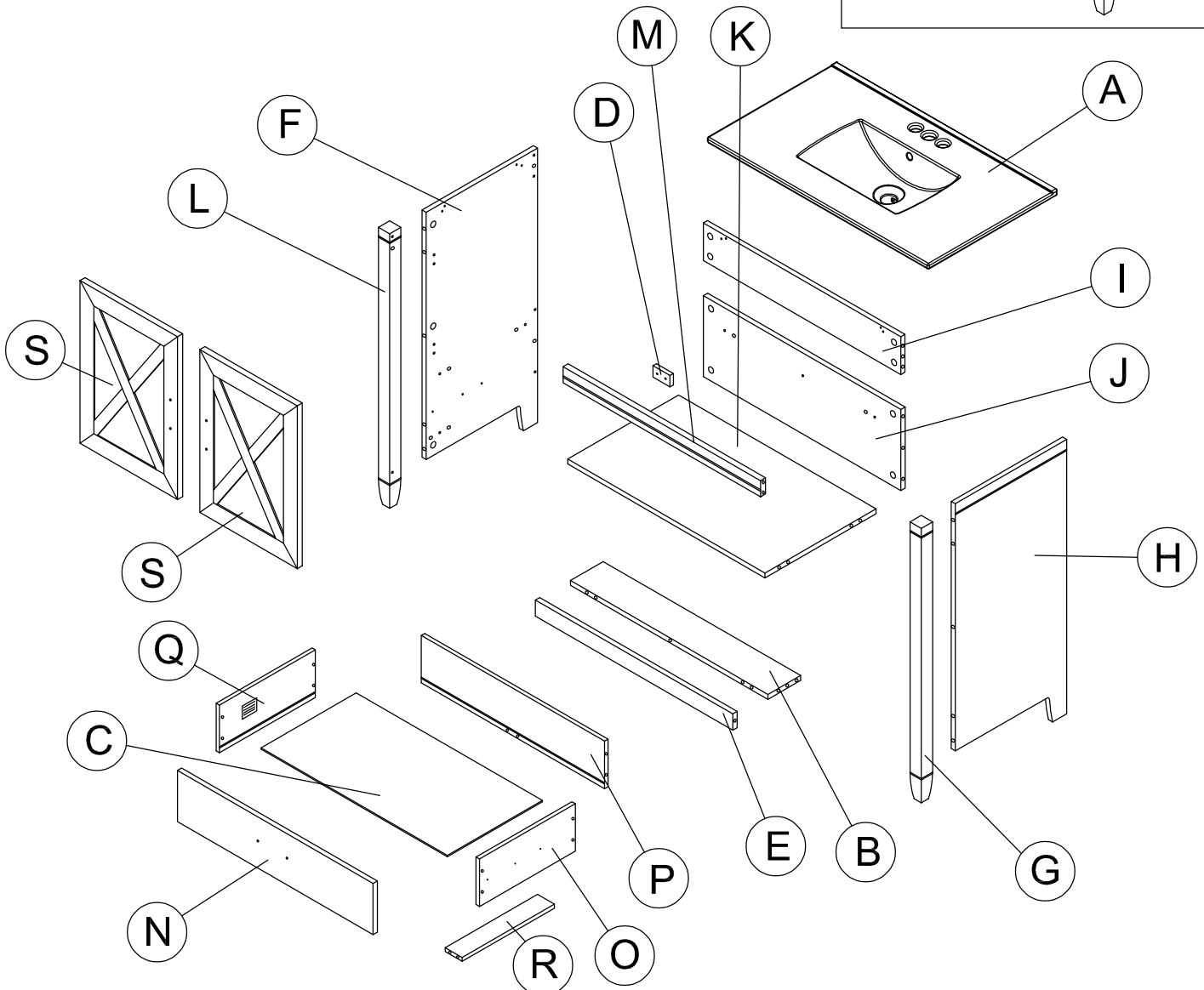
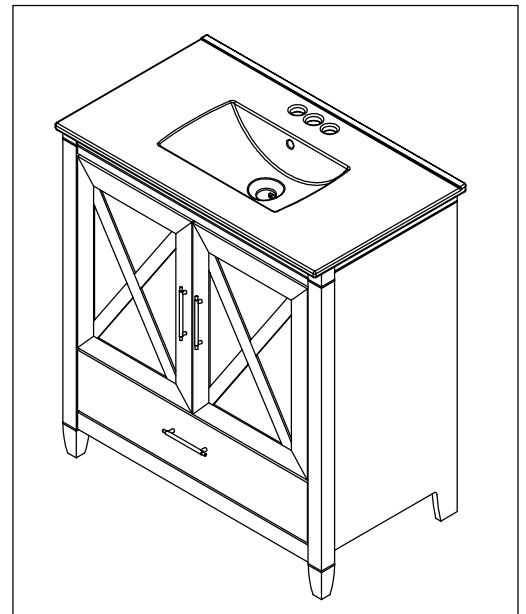
WALL MATERIAL

Drywall or plaster with available wood stud

ANCHORING DEVICE

Bush provided #10 x 2.5"
Truss-Head screw.

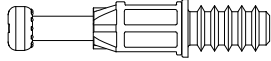




Have an assembly question or need a replacement part? Just call
1-800-950-4782, we are here to help.

Fasteners are shown actual size.

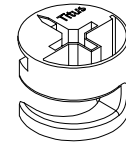
H72988



[30]

KD Bolt

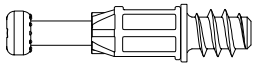
H181468



[30]

KD Cam

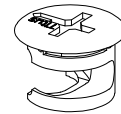
H217209



[4]

KD Bolt

H194549



[4]

KD Bolt

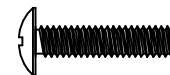
H38169



[22]

Wood Dowel
8 x 30mm

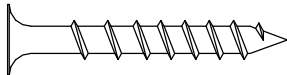
H158933



[6]

#8 x 3/4"

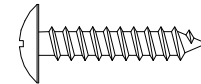
H23198



[4]

#10 x 1-1/2"

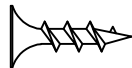
H150067



[2]

#8 x 7/8"

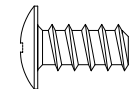
H153242



[24]

#8 x 5/8"

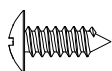
H146988



[4]

#12 x 1/2"

H211930



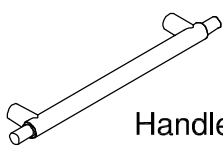
[16]

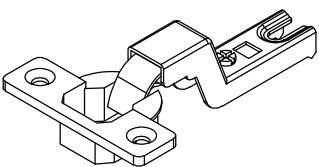
#8 -18x 15/32"

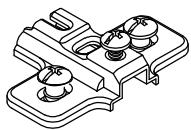
Have an assembly question or need a replacement part? Just call
1-800-950-4782, we are here to help.

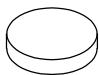
Hardware not to scale.

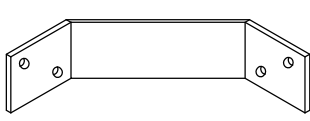
H217166  [4]
Tack Glide

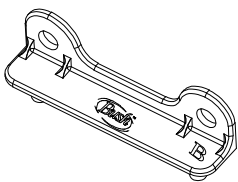
H180971  [3]
Handle


H170611  [4]
Hinge

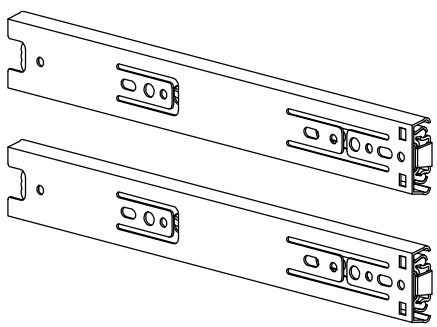
H170612  [4]
Mounting Plate

H77351  [2]
Clear Bumper
Ø12x2mm

H200042  [4]
Corner Bracket

H211291  [2]
DWR Bracket

 [28]
Cover Cap

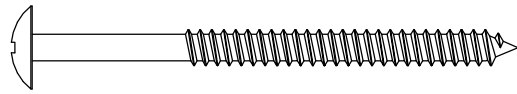
Q184100  [1]
10" Slide

Have an assembly question or need a replacement part? Just call
1-800-950-4782, we are here to help.

Hardware not to scale.

WALL ATTACHMENT HARDWARE

H217165



[2]

10 X 2.5 "

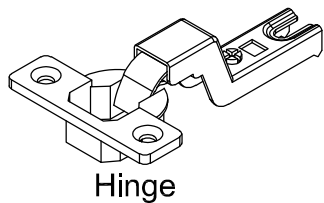
Have an assembly question or need a replacement part? Just call
1-800-950-4782, we are here to help.

STEP 1

Prepare Doors

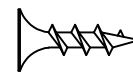
A217159

H170611



[4]

H153242



[8]

#8 x 5/8"

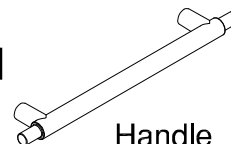
H158933



[4]

#8 x 3/4"

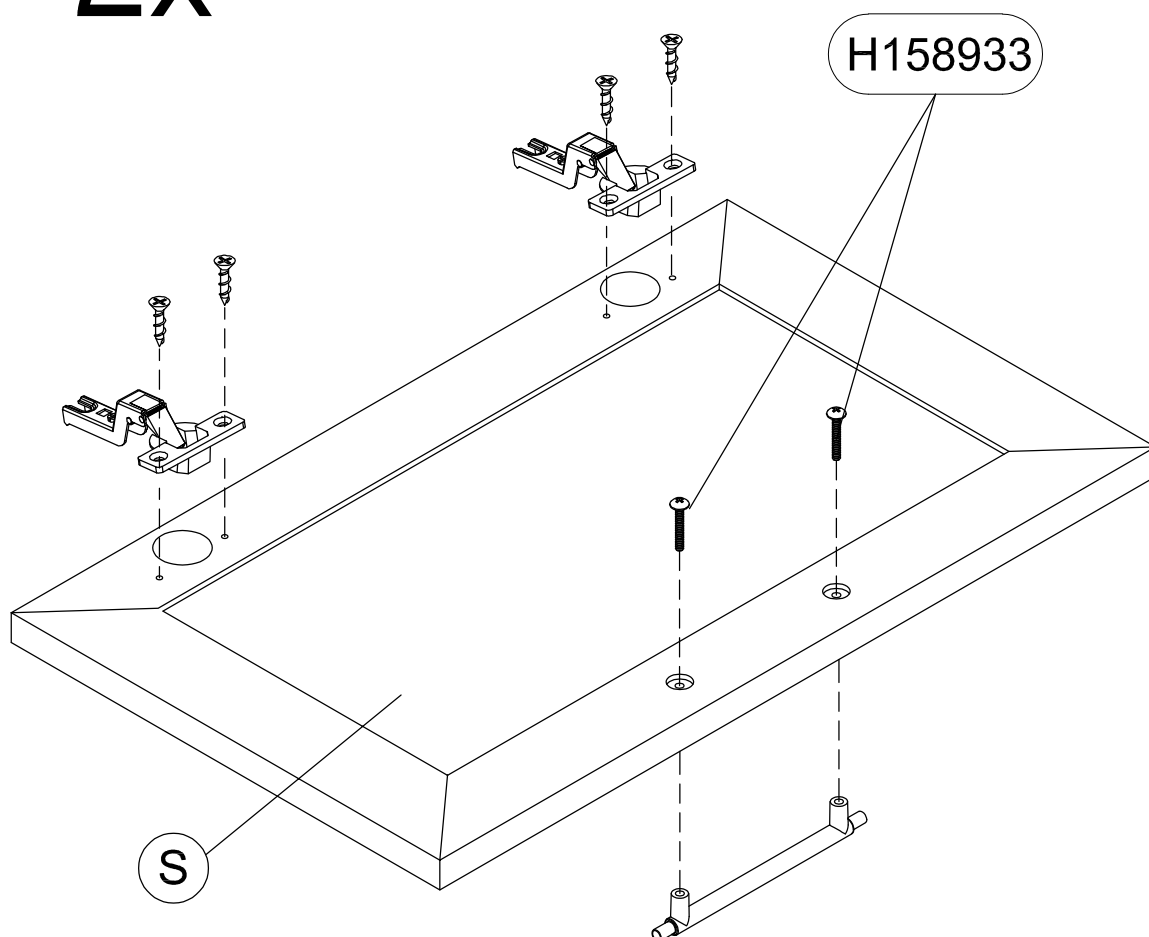
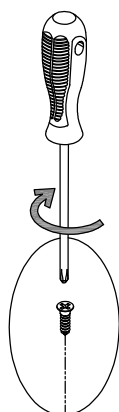
H180971



[2]

Handle

2x



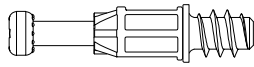
Have an assembly question or need a replacement part? Just call
1-800-950-4782, we are here to help.

STEP 2

Prepare Panels

A217159

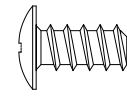
H217209



[4]

KD Bolt

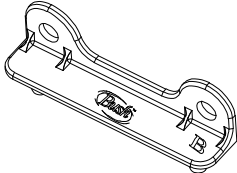
H146988



[4]

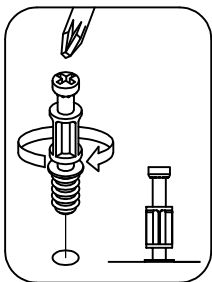
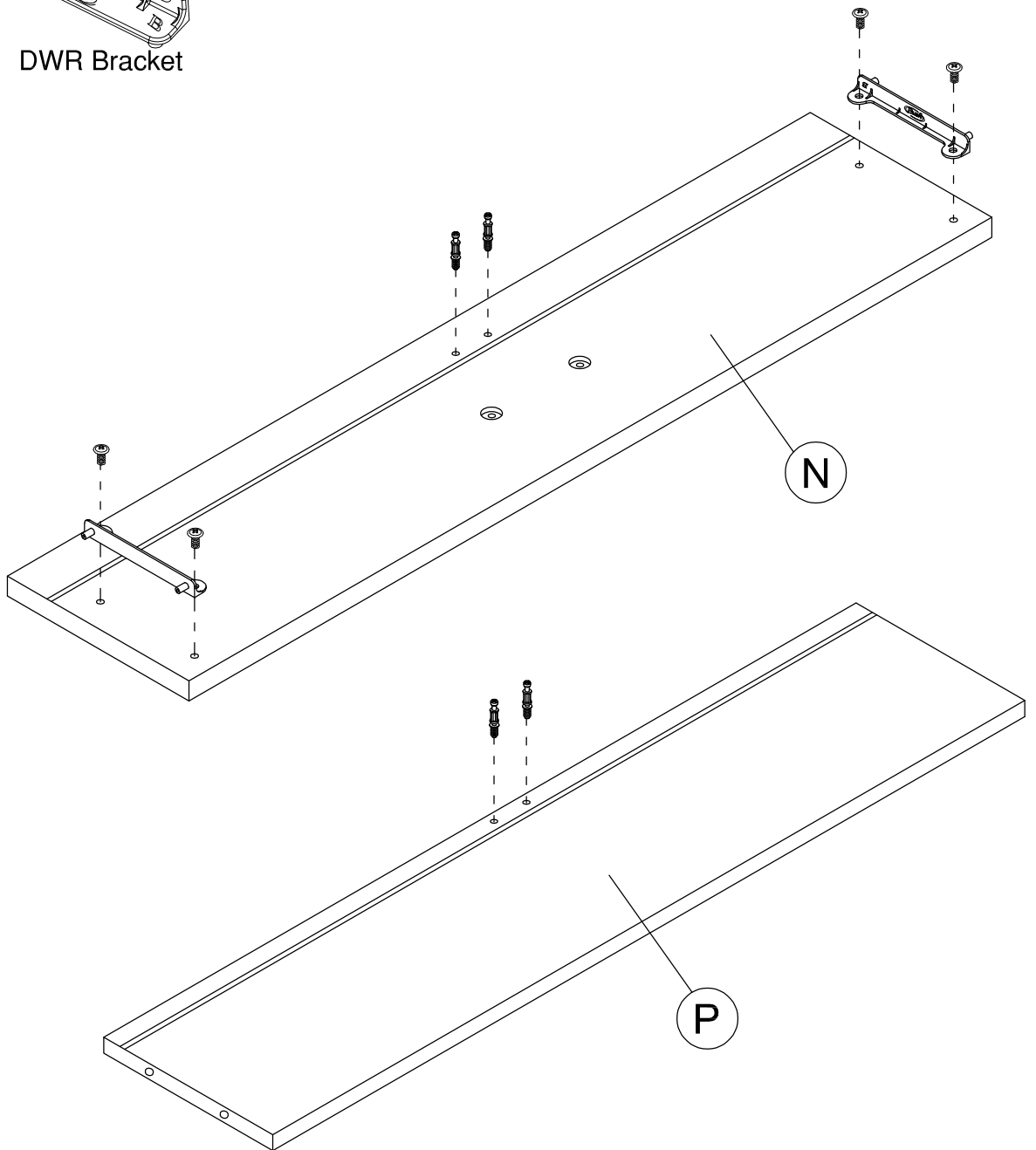
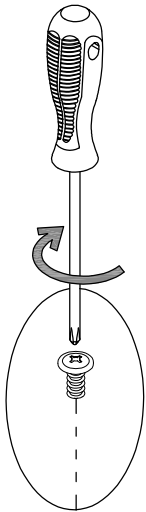
#12 x 1/2"

H211291



[2]

DWR Bracket



Have an assembly question or need a replacement part? Just call
1-800-950-4782, we are here to help.

STEP 3

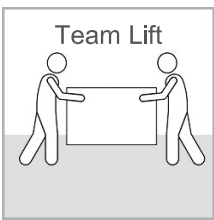
Build Drawer

A217159

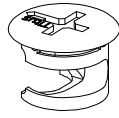
Scan QR Code to Watch Video on:



How to Tighten KD Cams

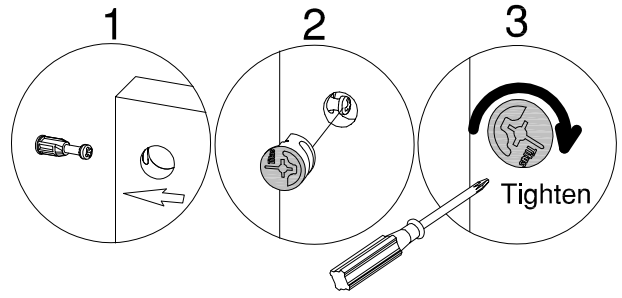


H194549

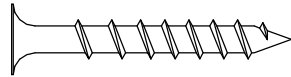


[4]

KD Bolt



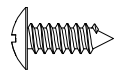
H23198



[4]

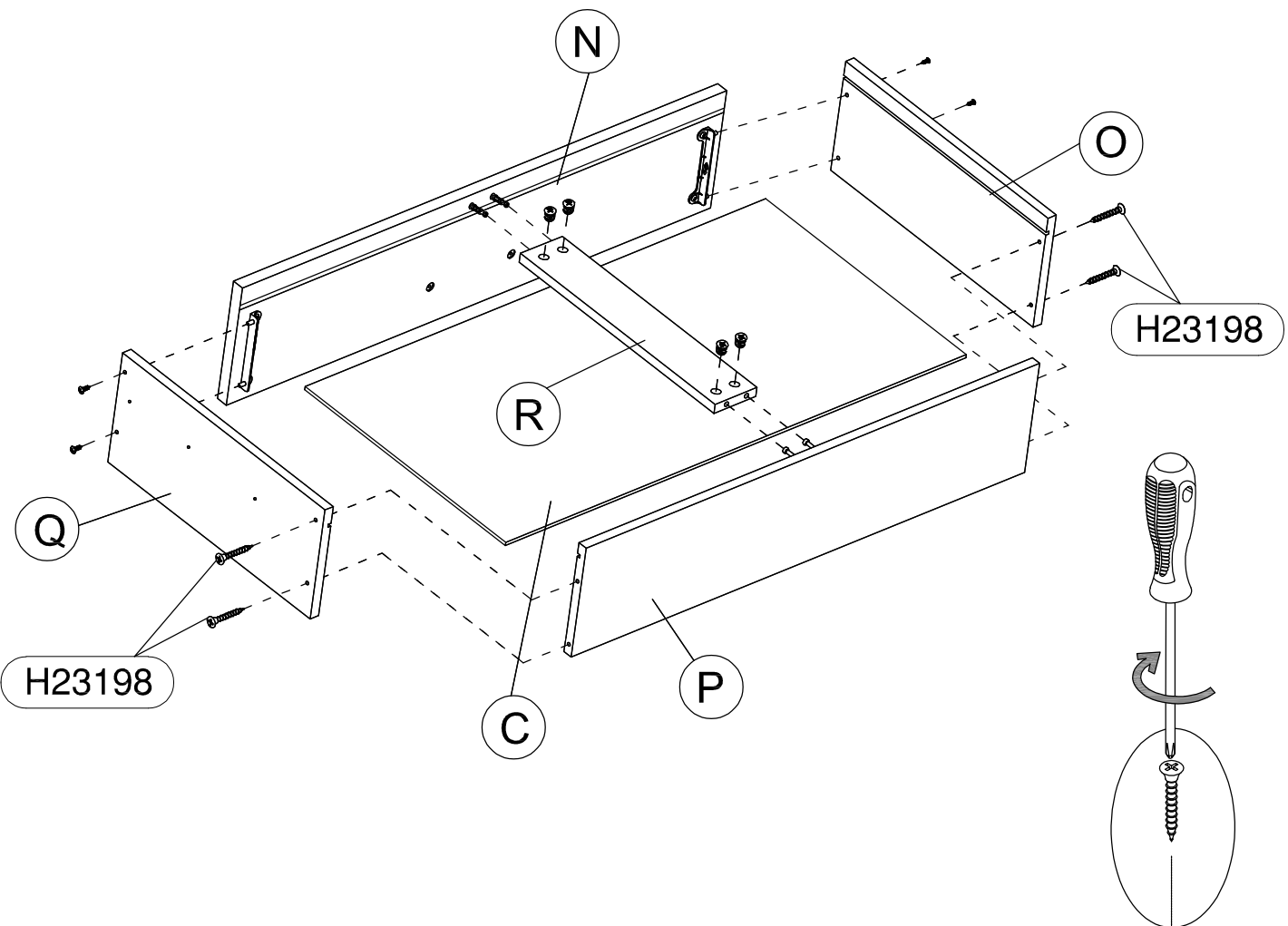
#10 x 1-1/2"

H211930



[4]

#8 -18x 15/32"



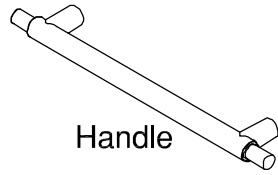
Have an assembly question or need a replacement part? Just call **1-800-950-4782**, we are here to help.

STEP 4

Install Hardware

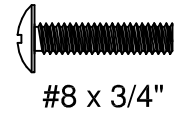
A217159

H180971

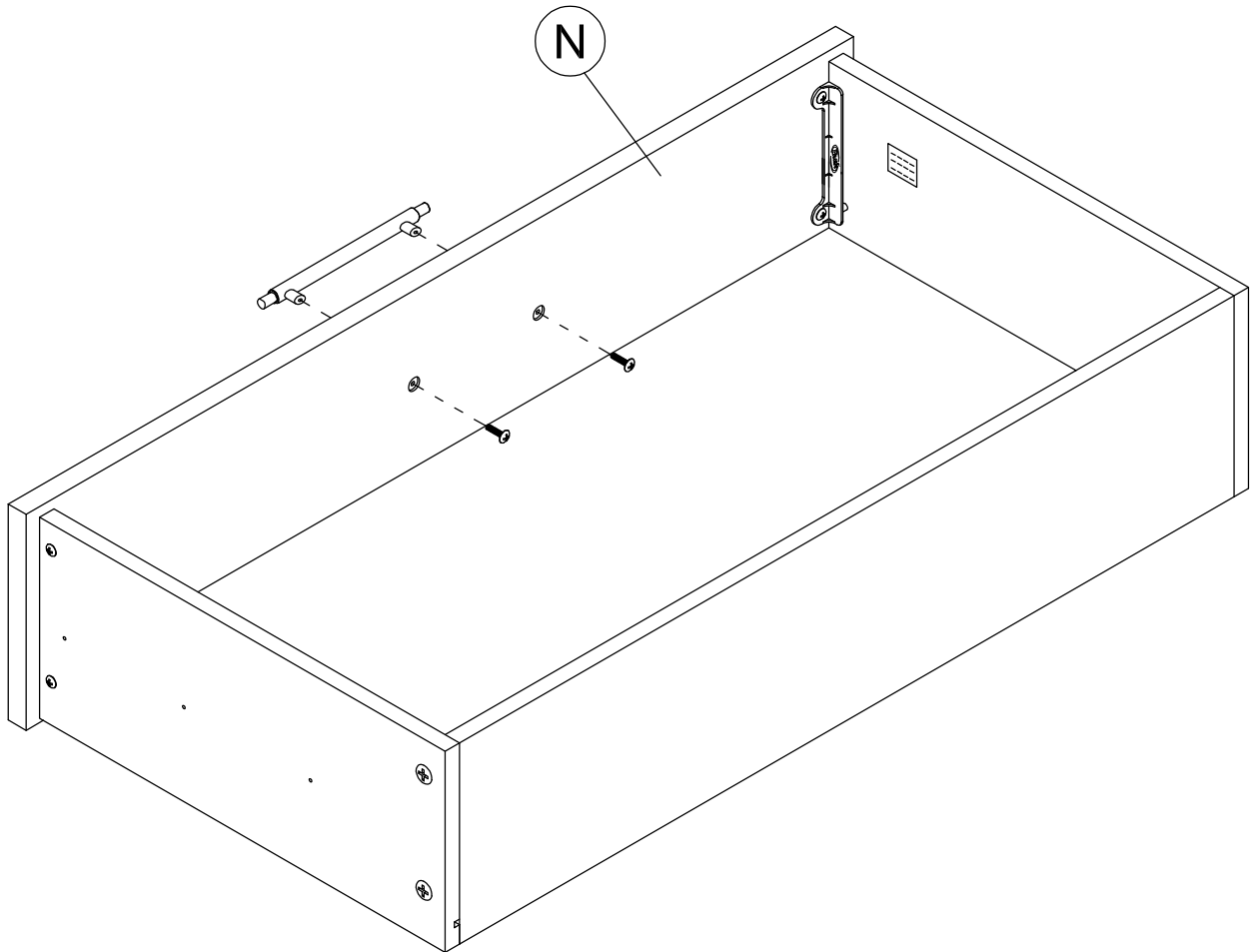
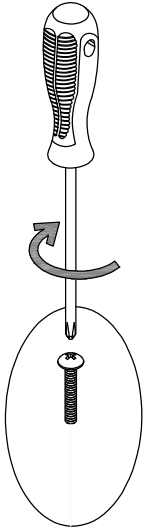


[1]

H158933



[2]



Have an assembly question or need a replacement part? Just call
1-800-950-4782, we are here to help.

Scan QR Code to Watch Video on:

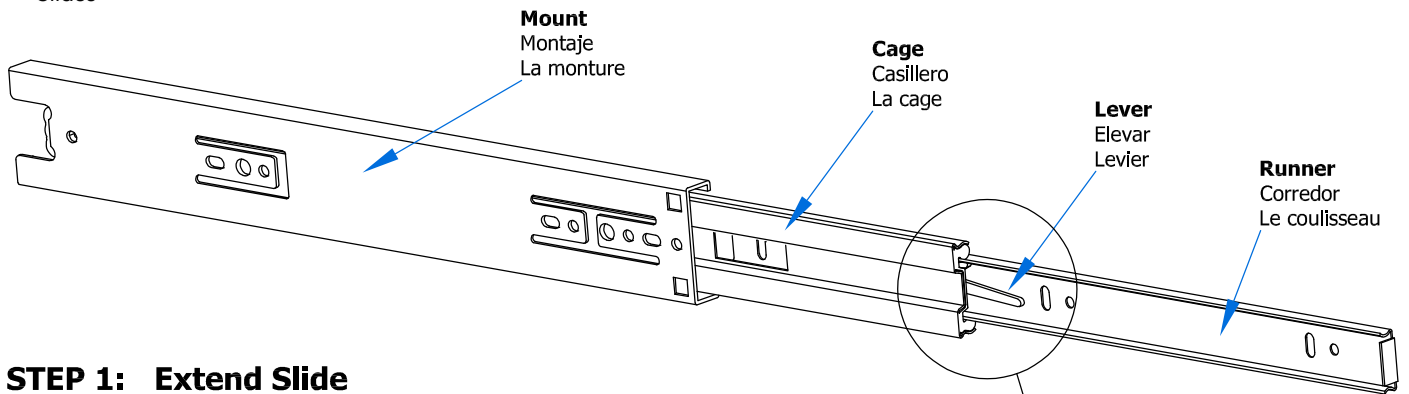


How to Separate and Install Drawer Slides

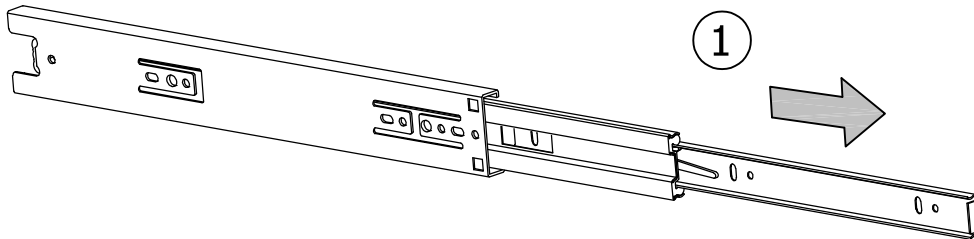
**Slides Must Be Separated Before Assembly.
After Separated, Set Aside Until Needed for Assembly.**

Las diapositivas deben separarse antes del montaje.
Después de la separación, déjelo a un lado hasta que sea necesario.

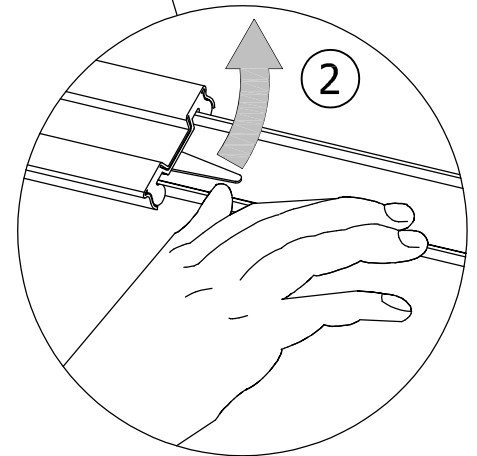
Les glissières doivent être séparées avant l'assemblage.
Après la séparation, mettez de côté jusqu'au moment de l'assemblage.



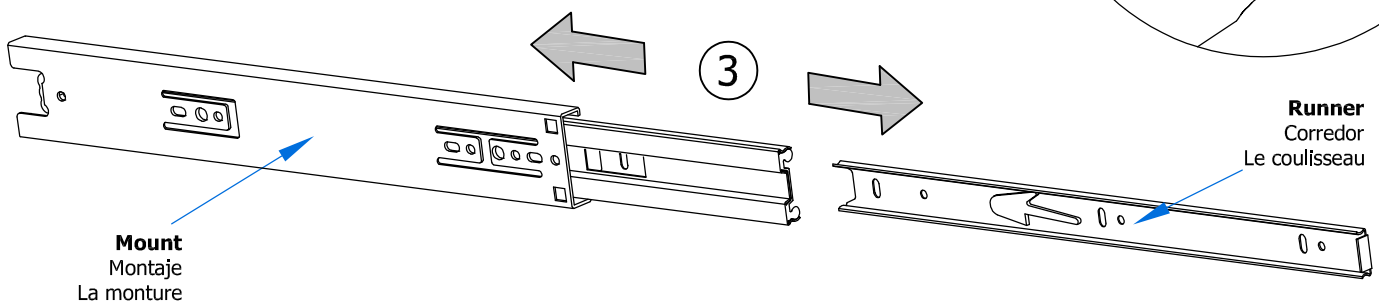
STEP 1: Extend Slide
Extender la diapositiva
Extendre la diapositive



STEP 2: Push Lever UP
Empujar hacia arriba
Lever le levier



STEP 3: Remove Runner
Quitar el corredor
Enlever le coureur



Have an assembly question or need a replacement part? Just call **1-800-950-4782**, we are here to help.

STEP 6

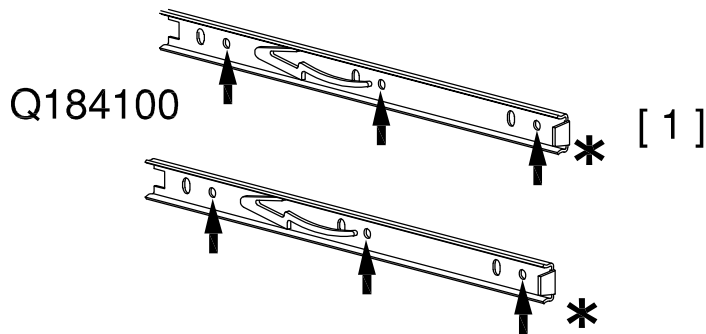
Install Slide Runners

A217159

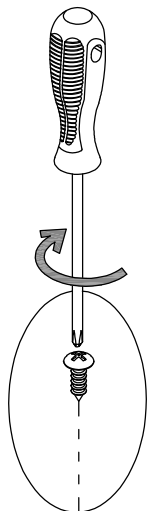
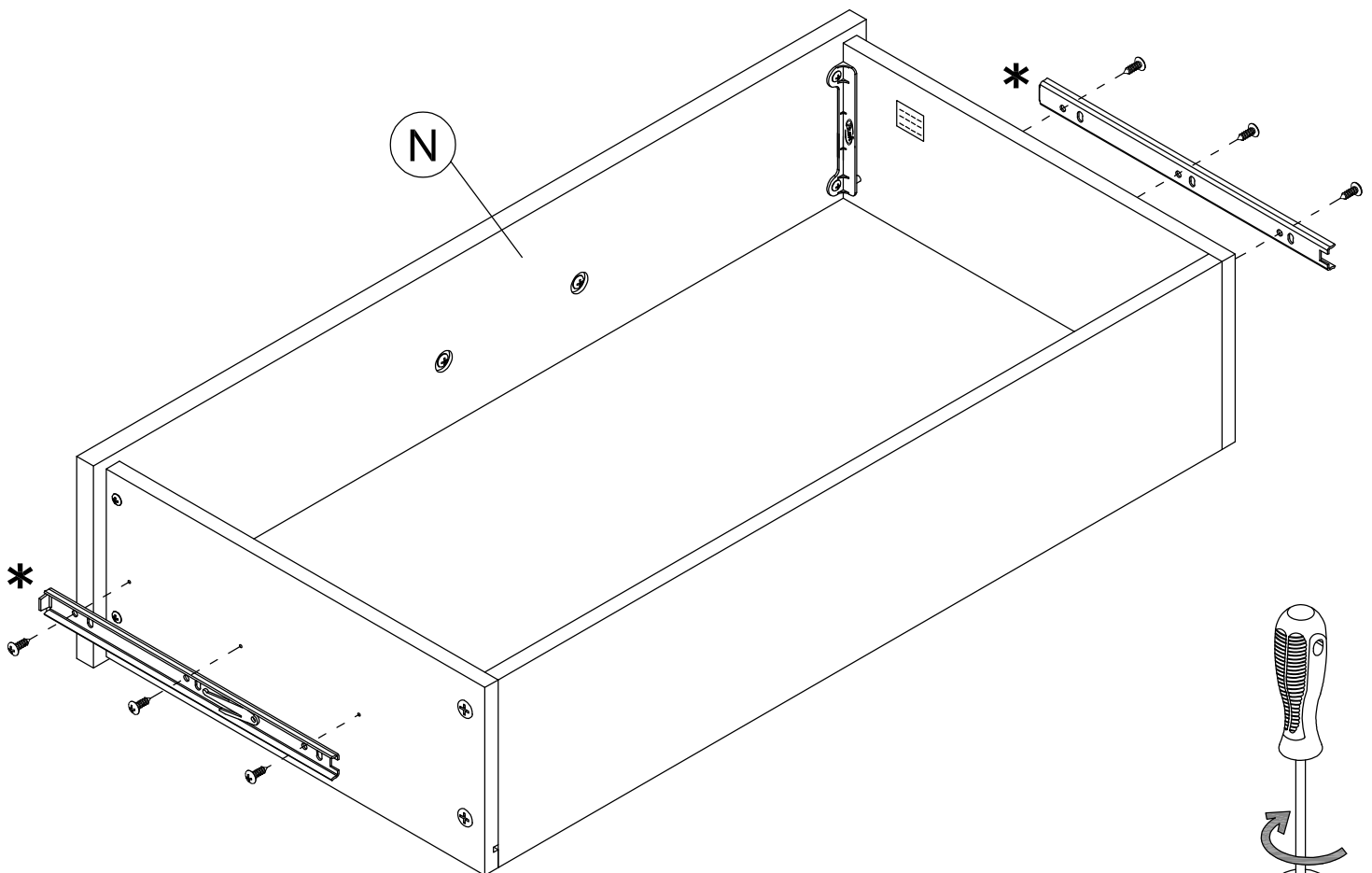
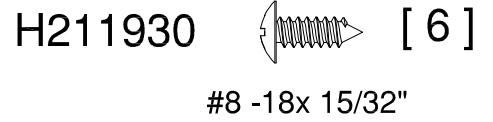
Scan QR Code to Watch Video on:



How to Separate and Install Drawer Slides



10"(250mm) Slide Runner



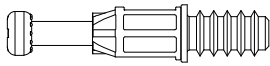
Have an assembly question or need a replacement part? Just call **1-800-950-4782**, we are here to help.

STEP 7

Prepare Panels

A217159

H72988



[12]

KD Bolt

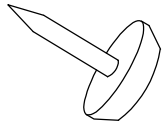
H38169



[2]

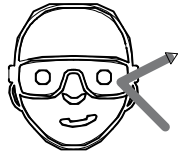
Wood Dowel
8 x 30mm

H217166

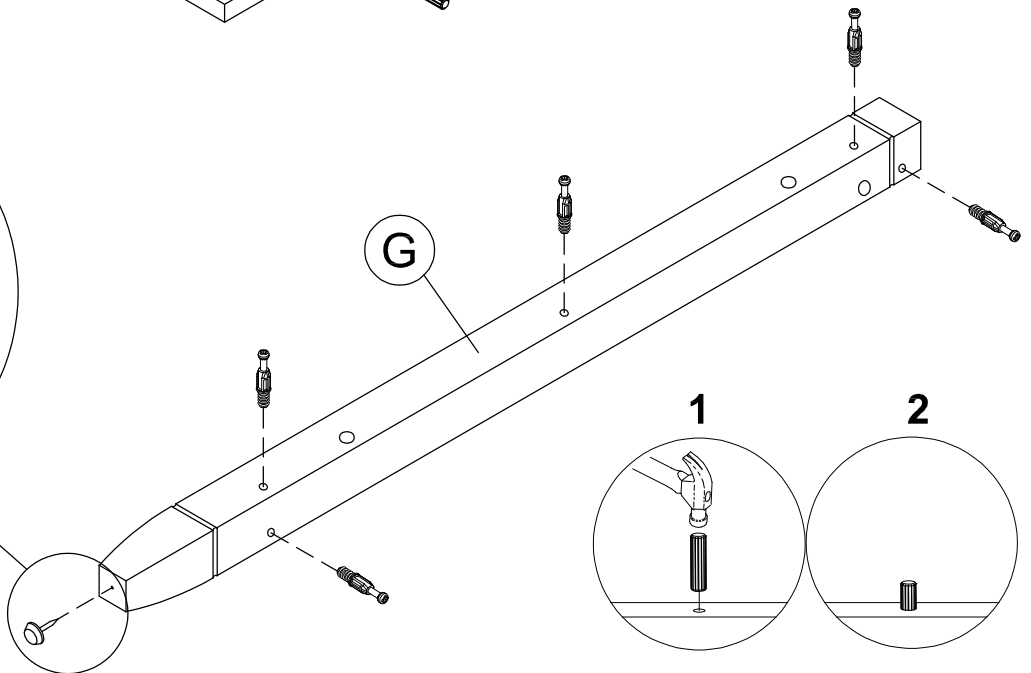
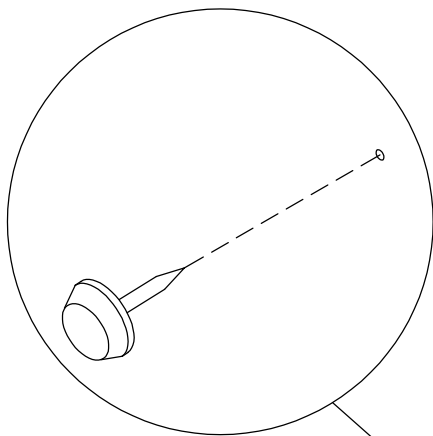
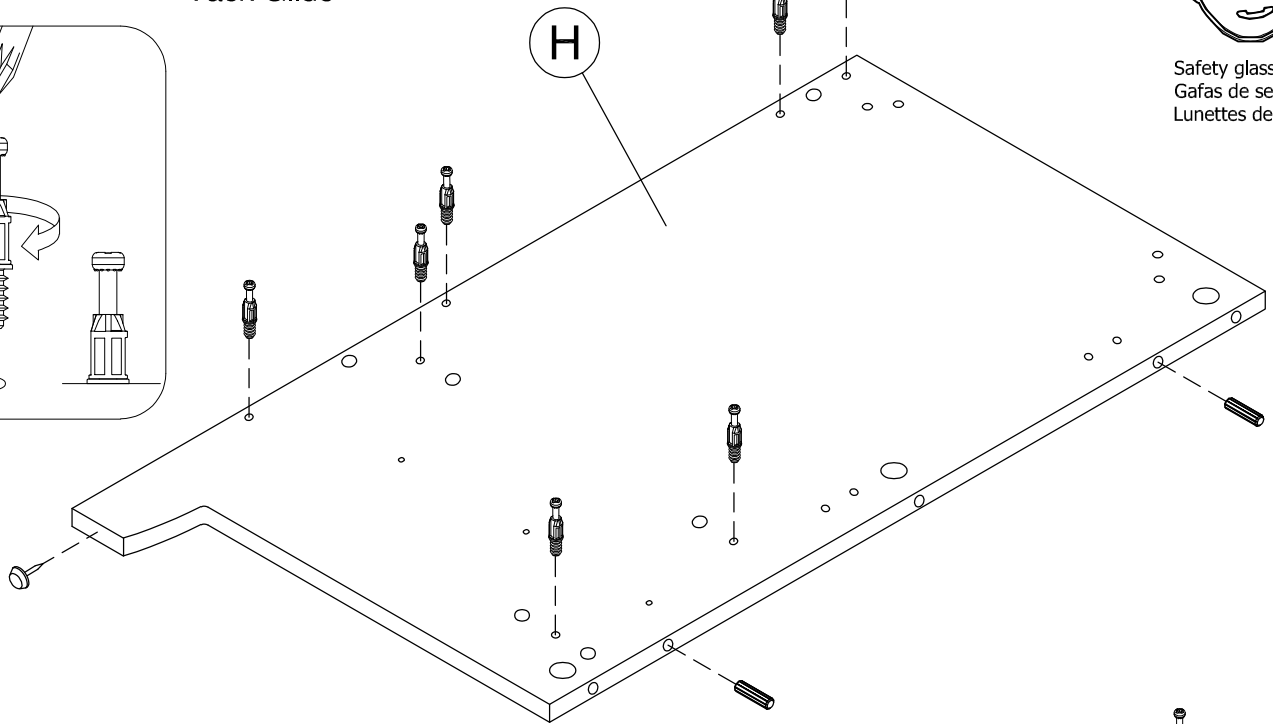
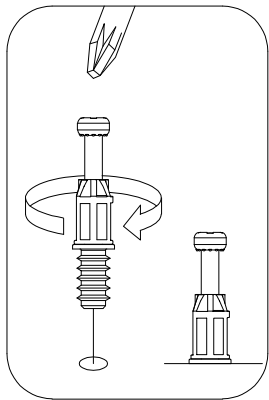


Tack Glide

[2]



Safety glasses
Gafas de seguridad
Lunettes de protection



Have an assembly question or need a replacement part? Just call
1-800-950-4782, we are here to help.

STEP 8

Assemble Panel

A217159

Scan QR Code to Watch Video on:

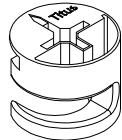


How to Tighten KD Cams

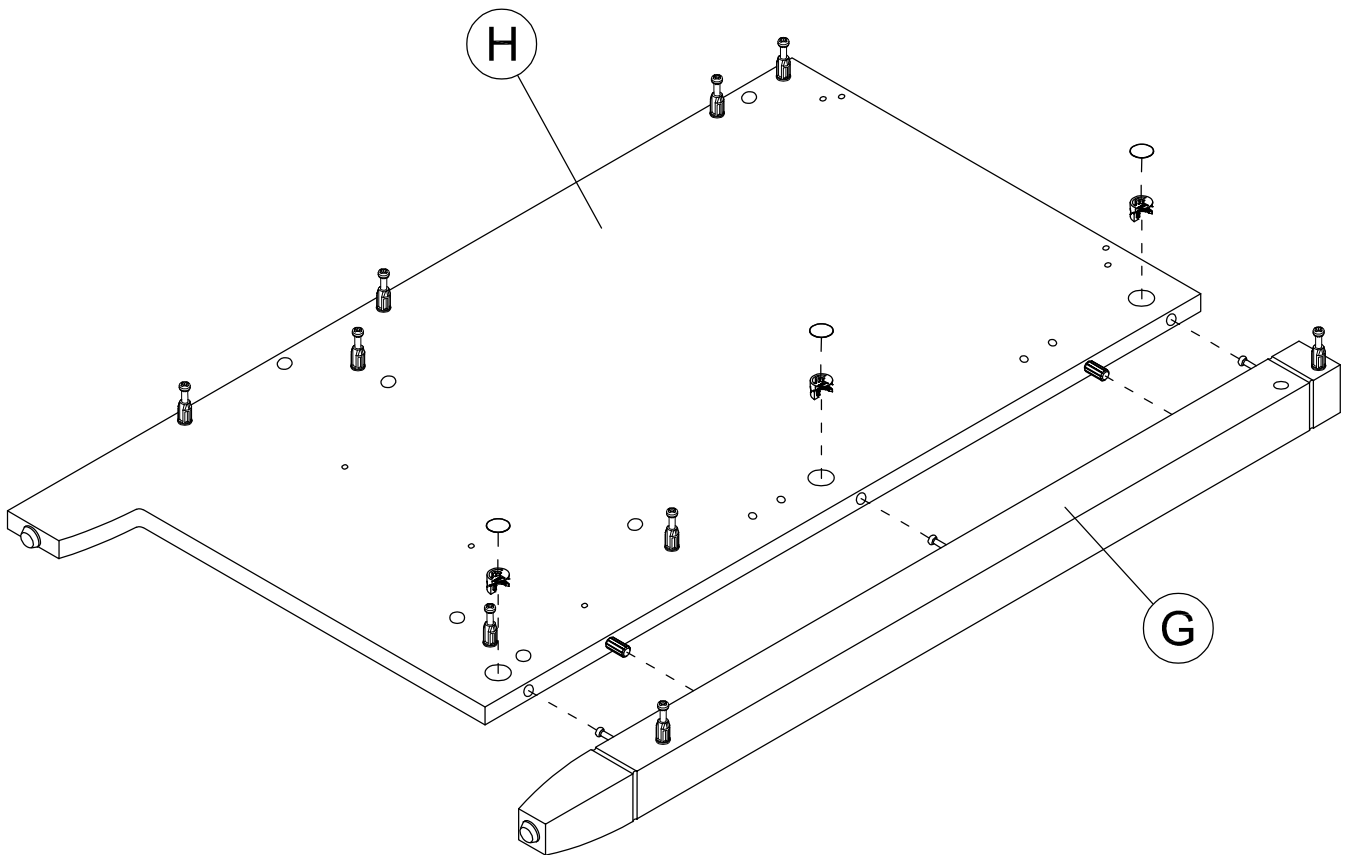
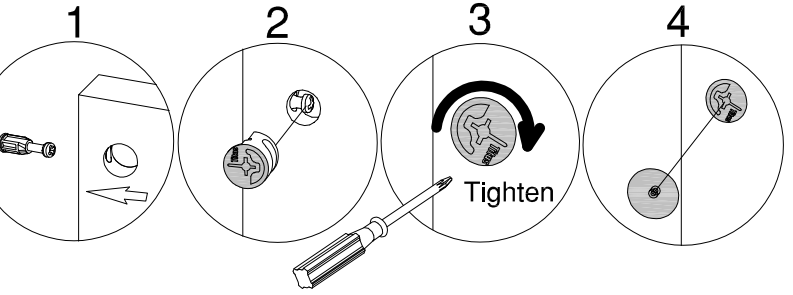


[3]

H181468



KD Cam



Have an assembly question or need a replacement part? Just call
1-800-950-4782, we are here to help.

STEP 9

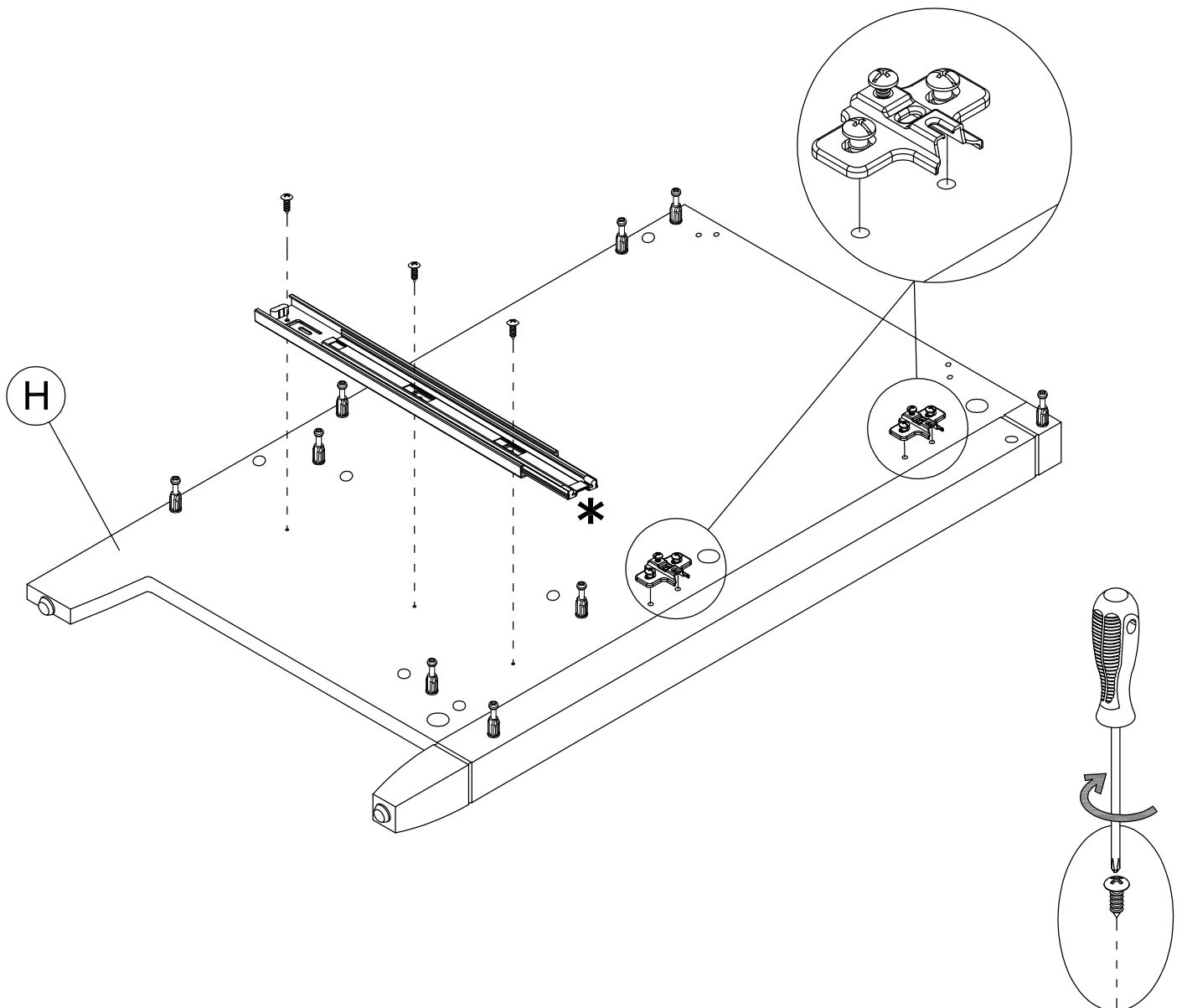
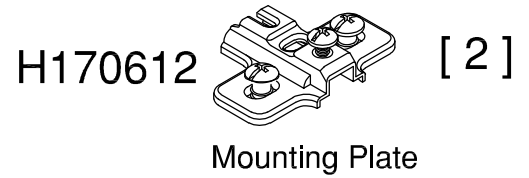
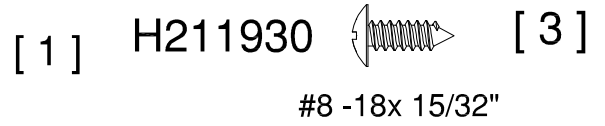
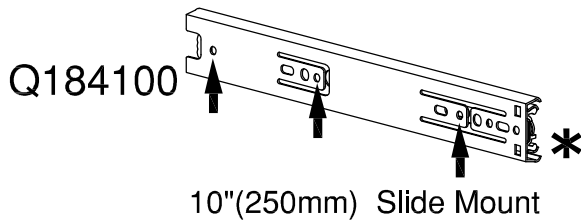
Install Hardware

A217159

Scan QR Code to Watch Video on:



How to Separate and Install Drawer Slides



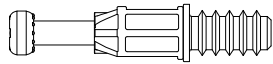
Have an assembly question or need a replacement part? Just call
1-800-950-4782, we are here to help.

STEP 10

Prepare Panels

A217159

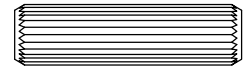
H72988



[12]

KD Bolt

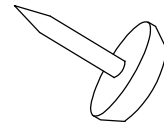
H38169



[2]

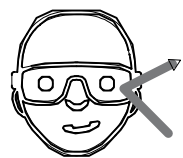
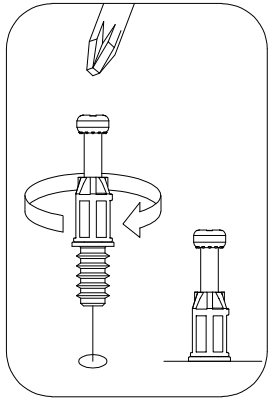
Wood Dowel
8 x 30mm

H217166

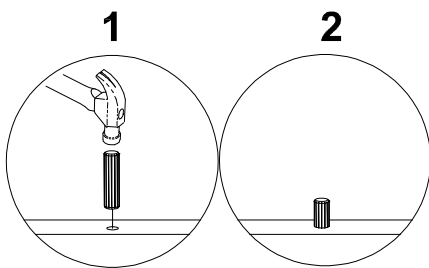
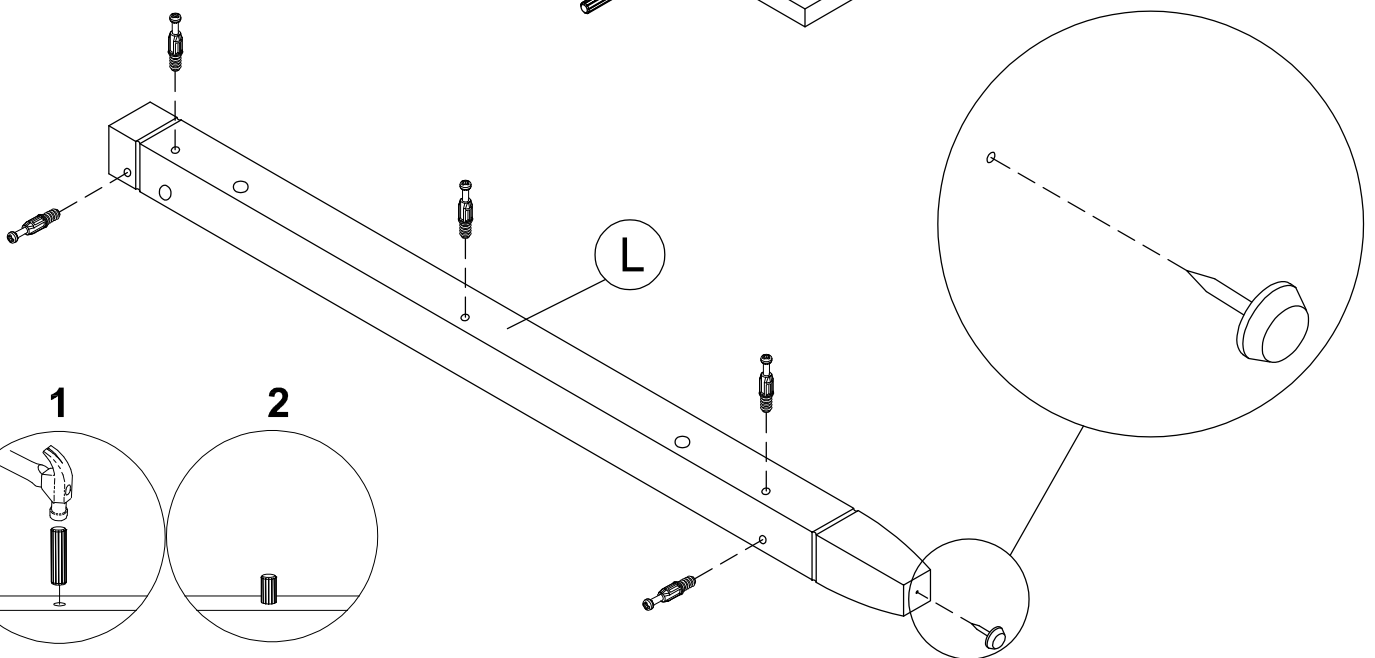
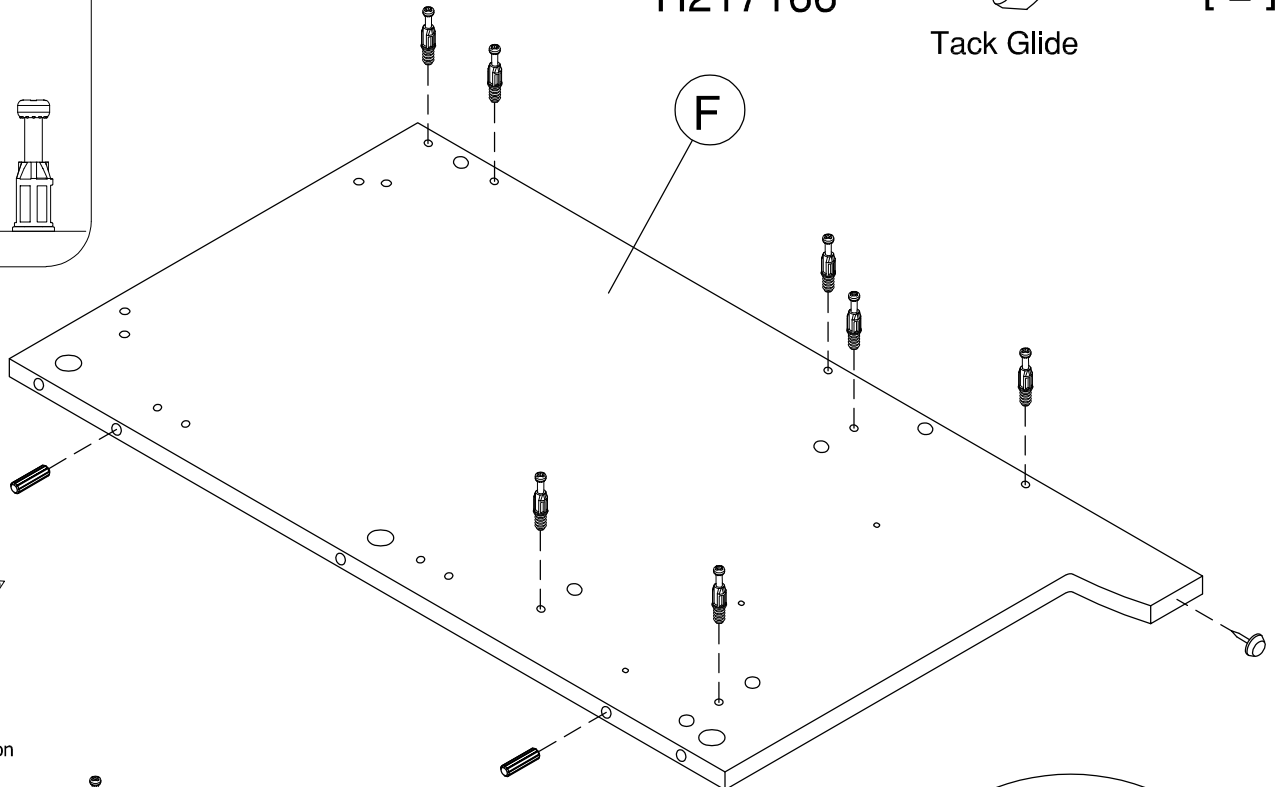


[2]

Tack Glide



Safety glasses
Gafas de seguridad
Lunettes de protection



Have an assembly question or need a replacement part? Just call
1-800-950-4782, we are here to help.

STEP 11

Assemble Panel

A217159

Scan QR Code to Watch Video on:

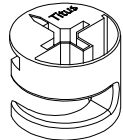


How to Tighten KD Cams

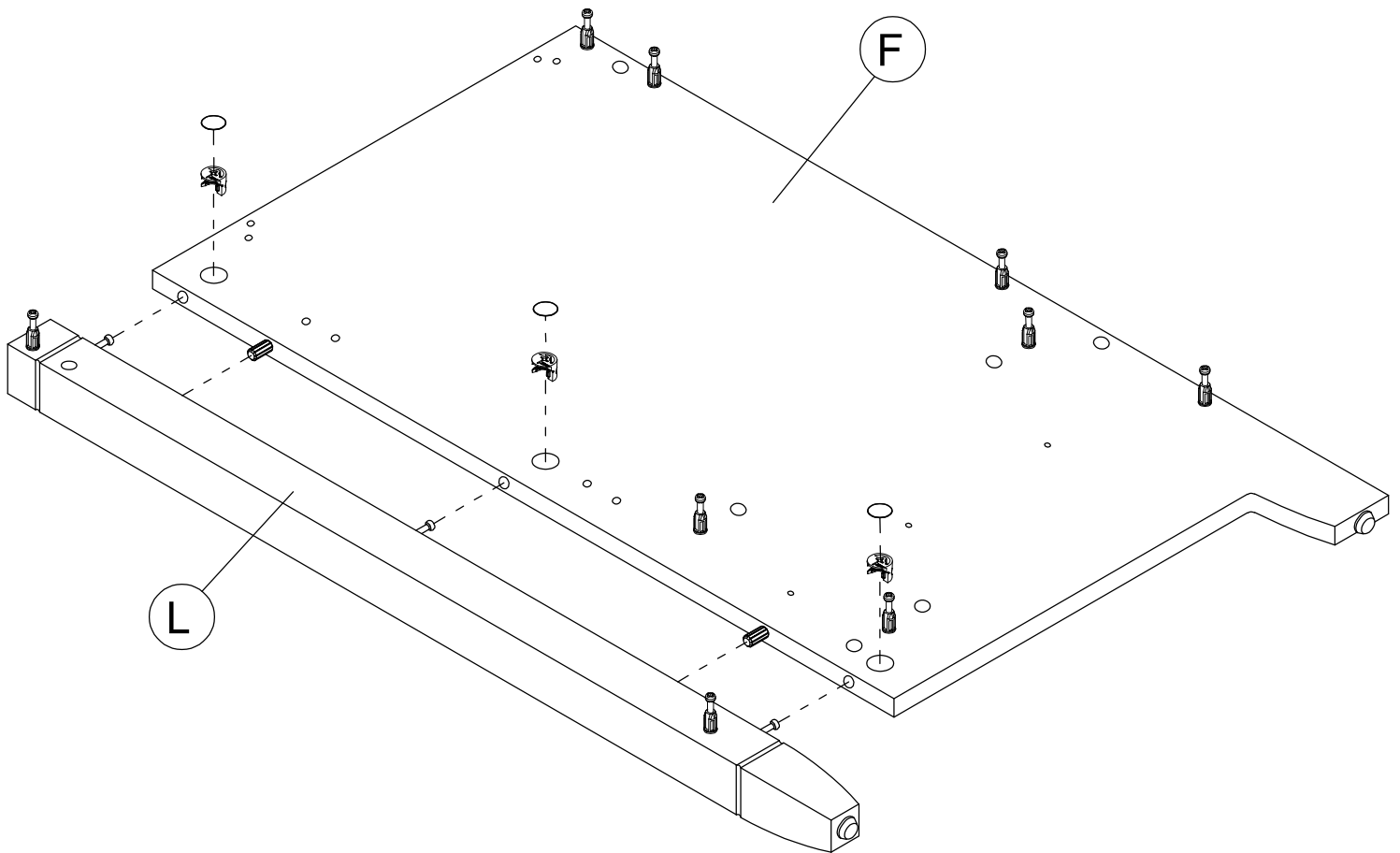
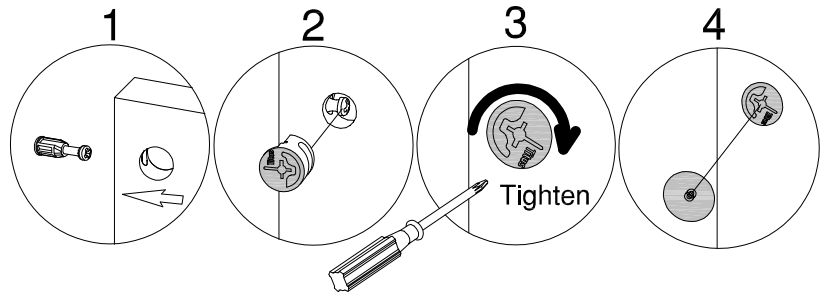


[3]

H181468



KD Cam



Have an assembly question or need a replacement part? Just call **1-800-950-4782**, we are here to help.

STEP 12

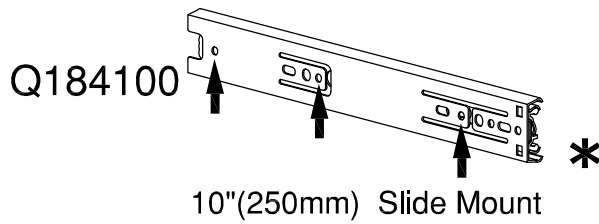
Install Hardware

A217159

Scan QR Code to Watch Video on:



How to Separate and Install Drawer Slides



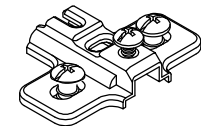
10"(250mm) Slide Mount

H211930 [3]

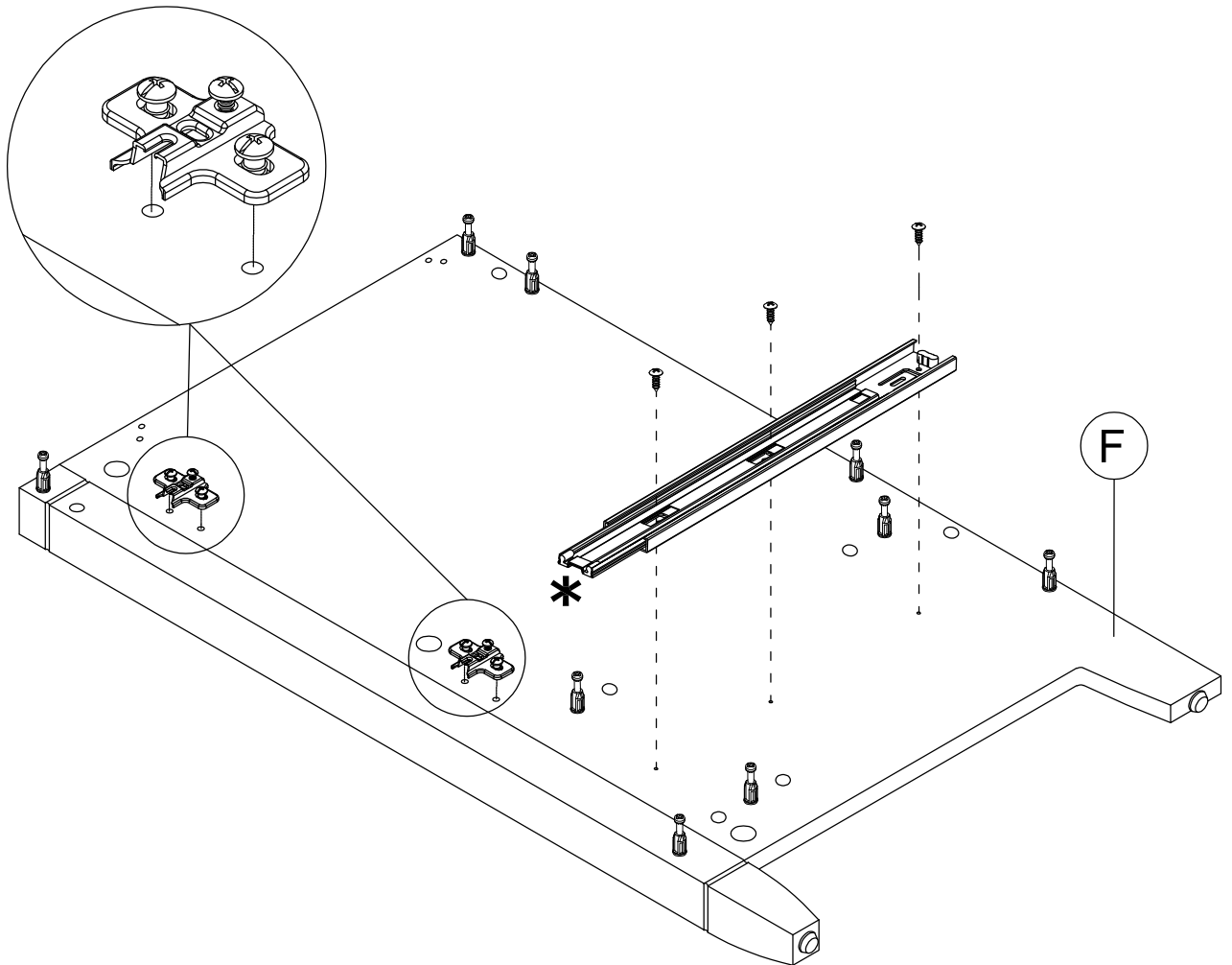
#8 -18x 15/32"

[1]

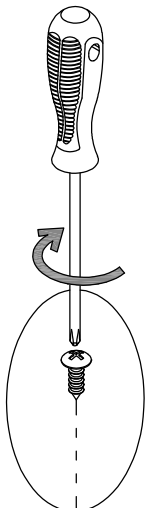
H170612 [2]



Mounting Plate



F



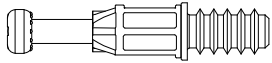
Have an assembly question or need a replacement part? Just call **1-800-950-4782**, we are here to help.

STEP 13

Prepare Panels

A217159

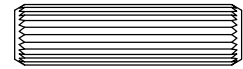
H72988



[3]

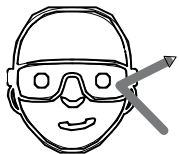
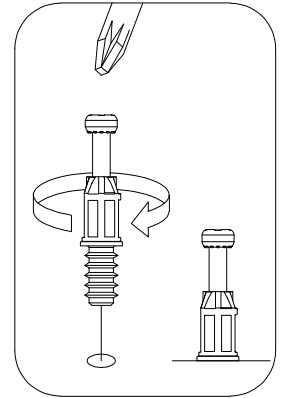
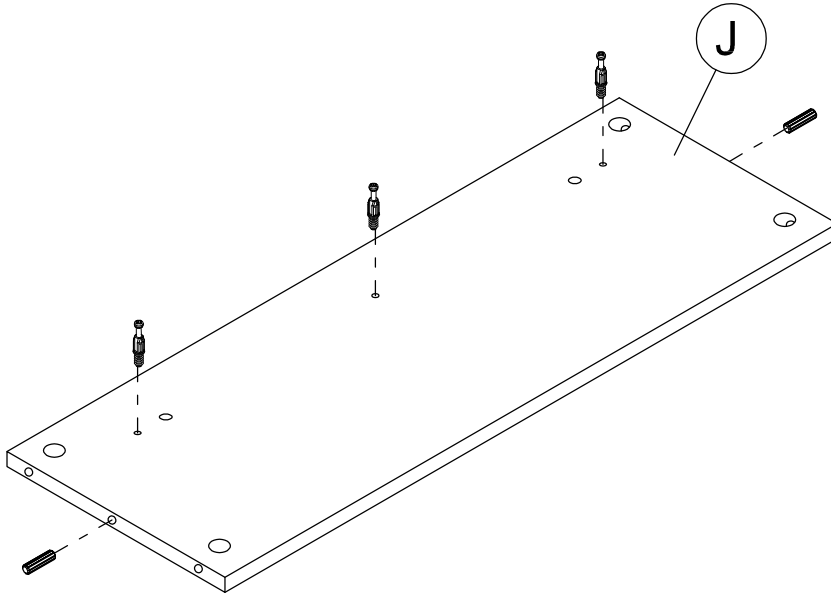
KD Bolt

H38169

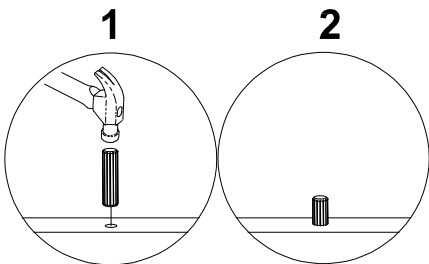
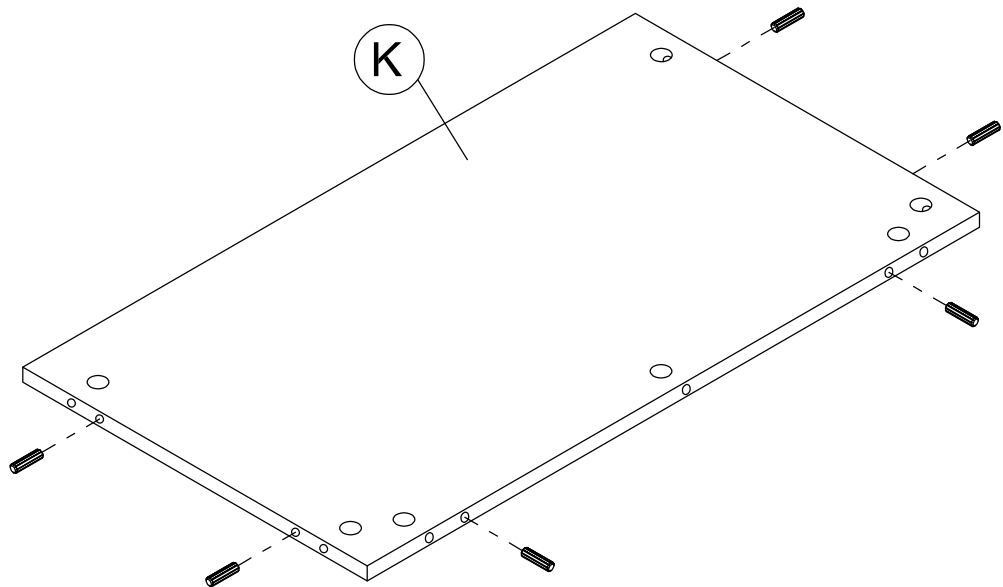


[8]

Wood Dowel
8 x 30mm



Safety glasses
Gafas de seguridad
Lunettes de protection



Have an assembly question or need a replacement part? Just call
1-800-950-4782, we are here to help.

STEP 14

Assemble Panel

A217159

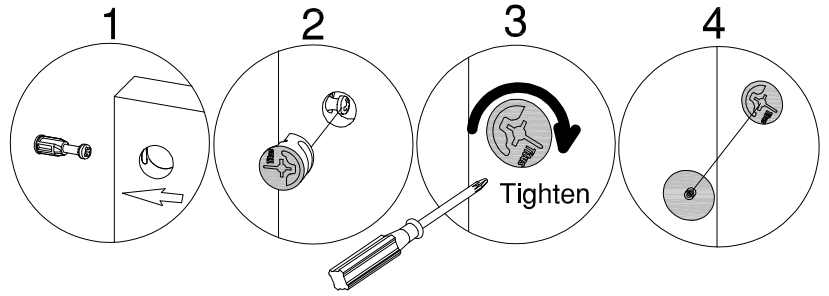
Scan QR Code to
Watch Video on:



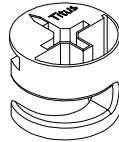
How to Tighten
KD Cams



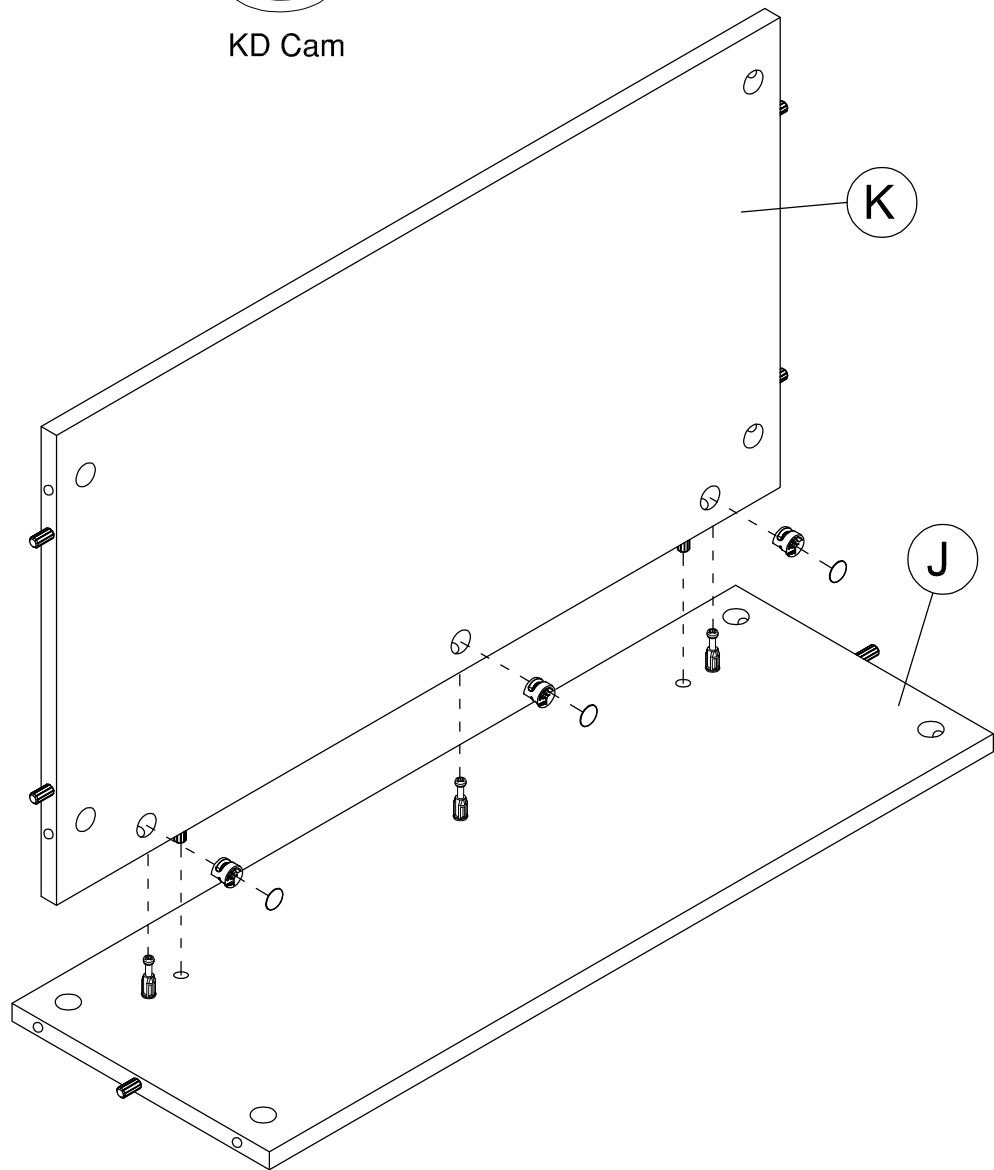
[3]



H181468



[3]



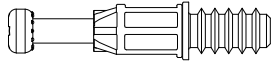
Have an assembly question or need a replacement part? Just call
1-800-950-4782, we are here to help.

STEP 15

Prepare Panels

A217159

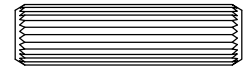
H72988



[3]

KD Bolt

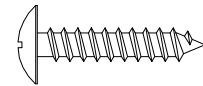
H38169



[10]

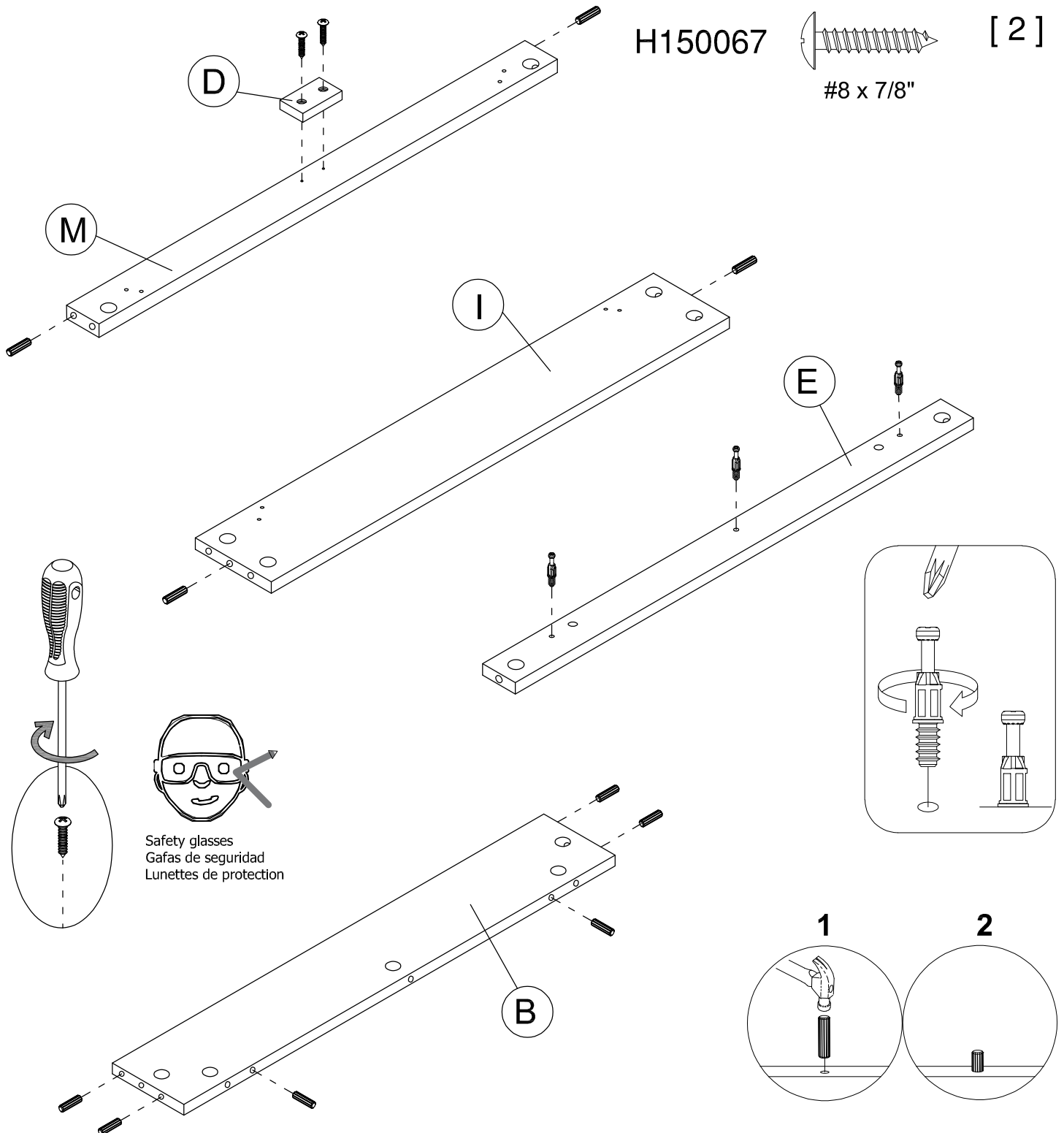
Wood Dowel
8 x 30mm

H150067



[2]

#8 x 7/8"



Have an assembly question or need a replacement part? Just call
1-800-950-4782, we are here to help.

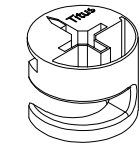
Scan QR Code to Watch Video on:



How to Tighten KD Cams



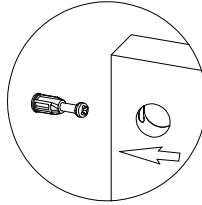
H181468



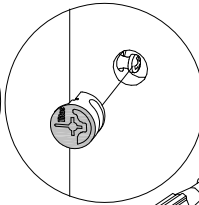
KD Cam

[3]

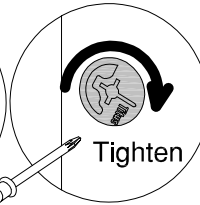
1



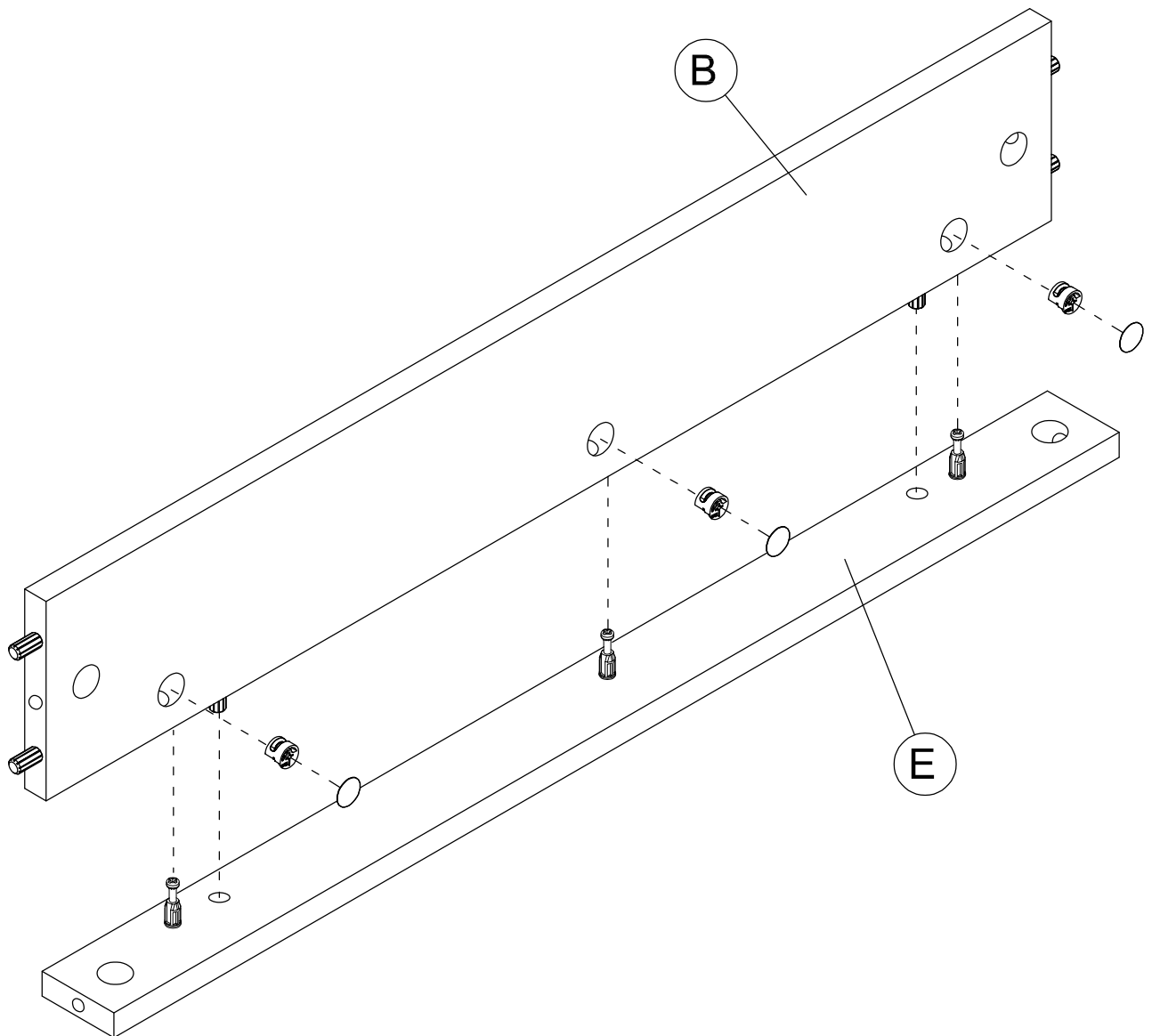
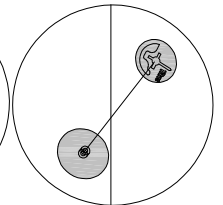
2



3



4



Have an assembly question or need a replacement part? Just call **1-800-950-4782**, we are here to help.

STEP 17

Assemble Panels

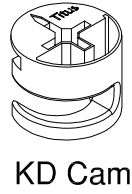
A217159

Scan QR Code to
Watch Video on:

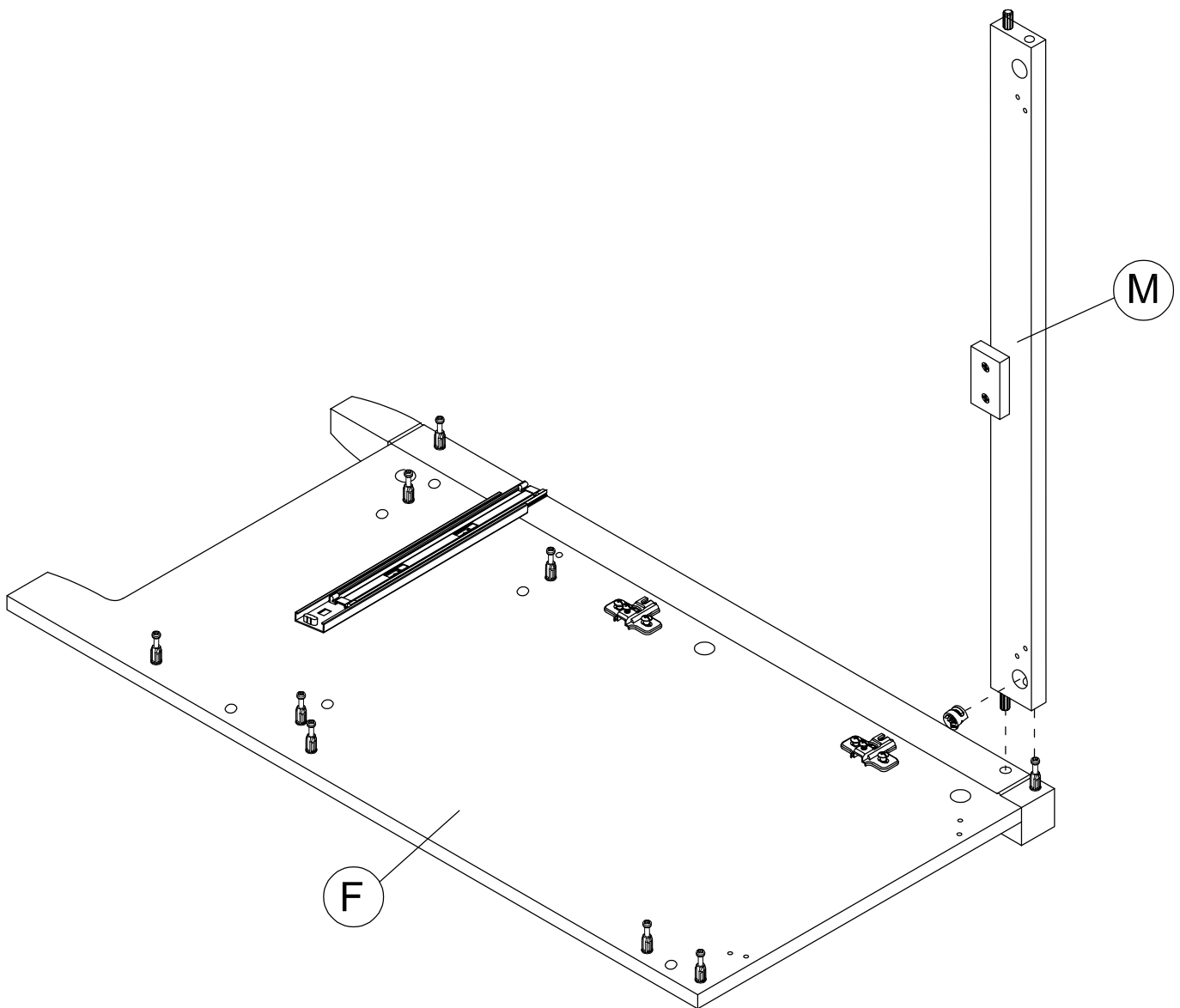
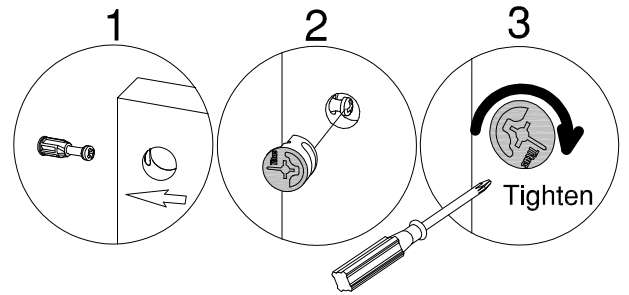


How to Tighten
KD Cams

H181468



[1]



Have an assembly question or need a replacement part? Just call
1-800-950-4782, we are here to help.

STEP 18

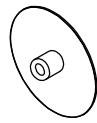
Assemble Panels

A217159

Scan QR Code to Watch Video on:



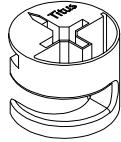
How to Tighten KD Cams



Cover Cap

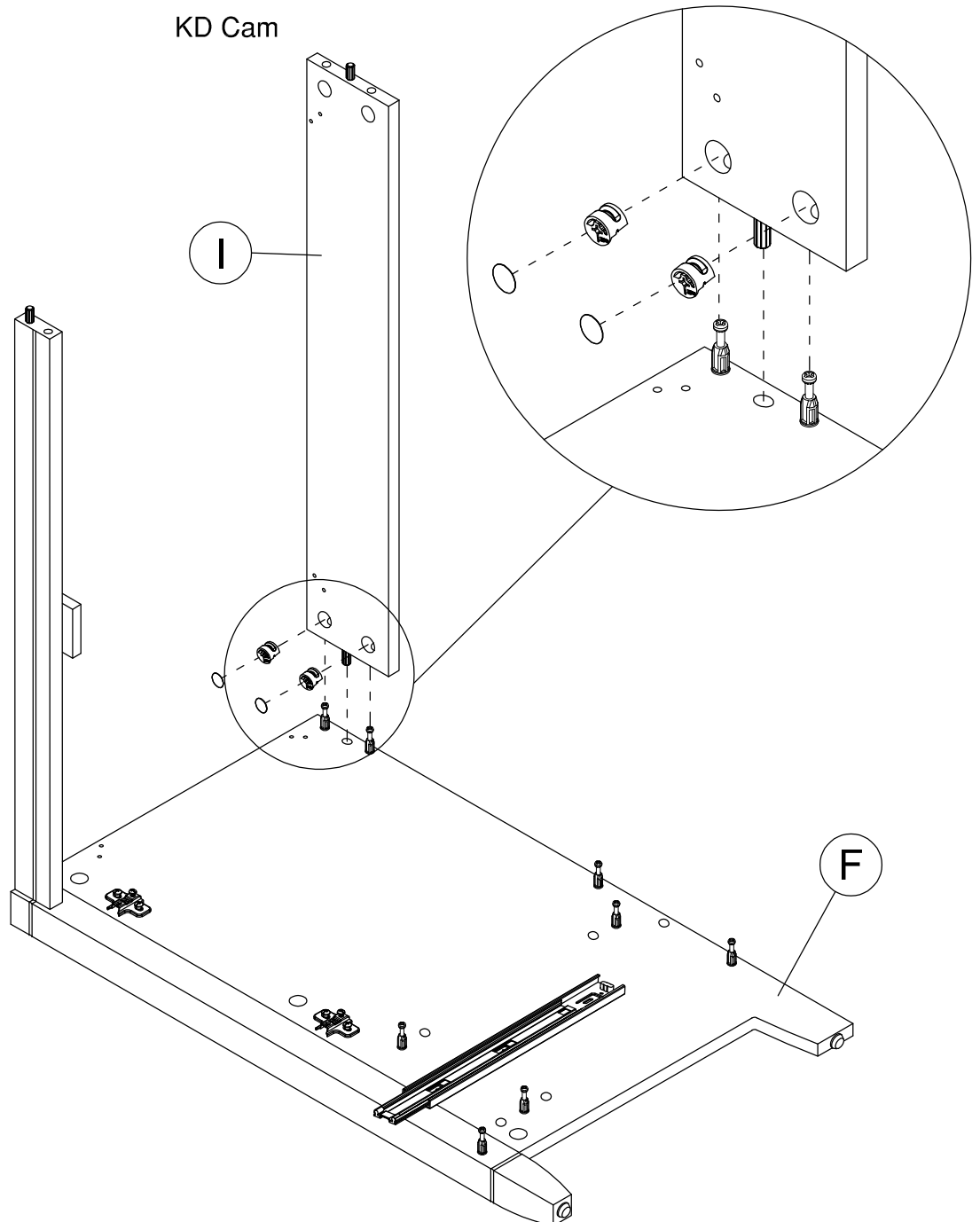
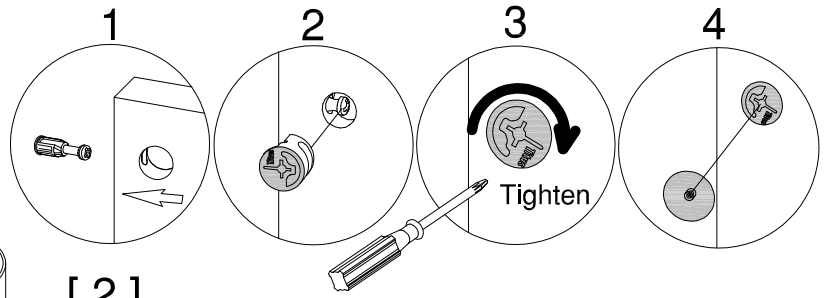
[2]

H181468



KD Cam

[2]



Have an assembly question or need a replacement part? Just call **1-800-950-4782**, we are here to help.

STEP 19

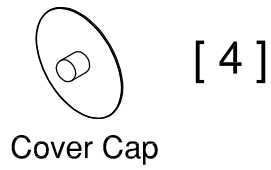
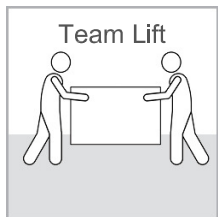
Assemble Panels

A217159

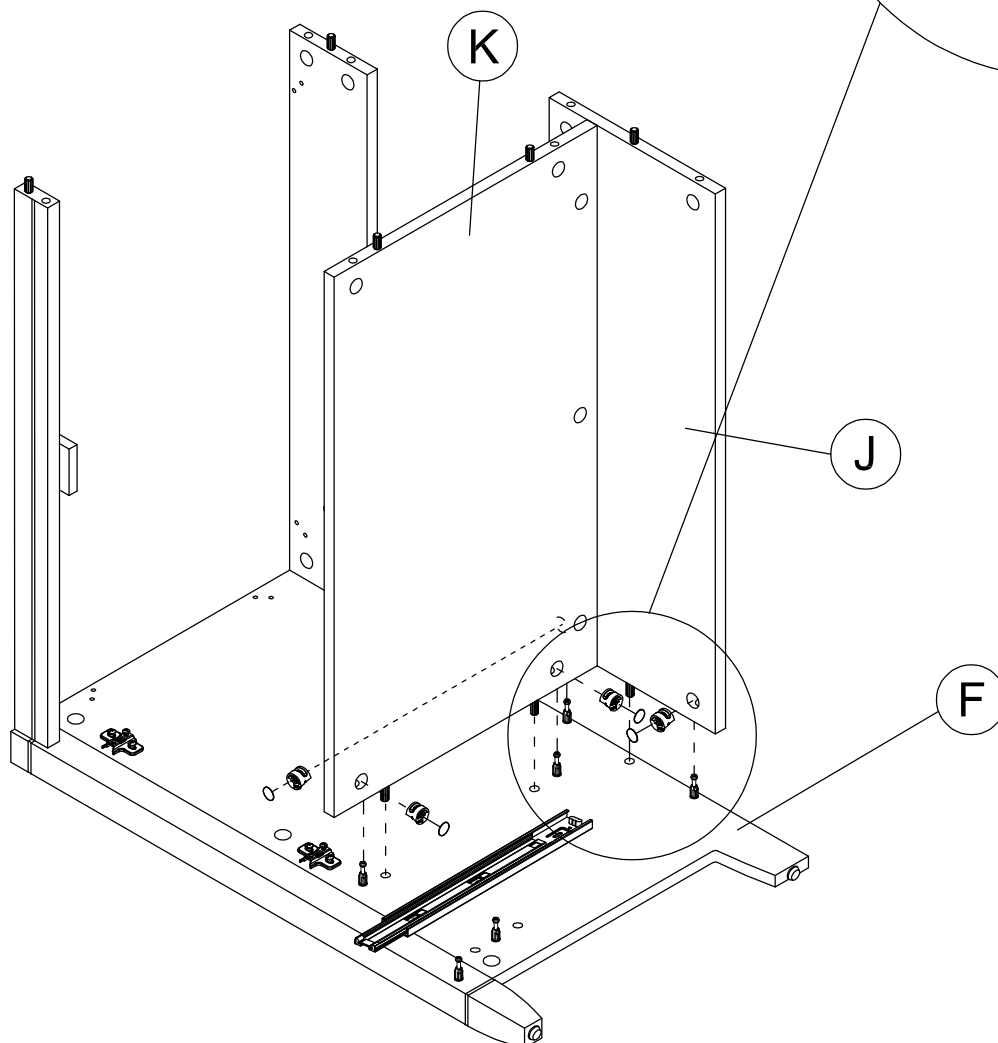
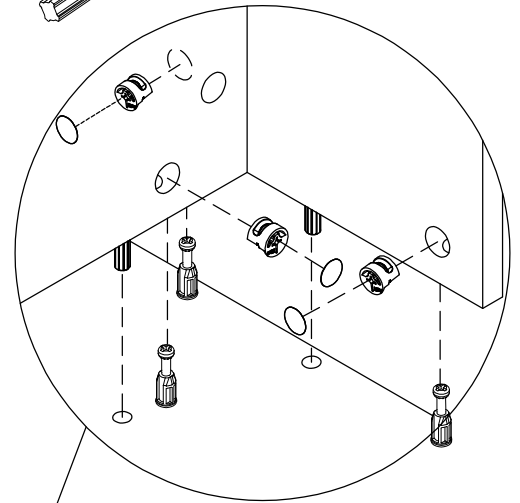
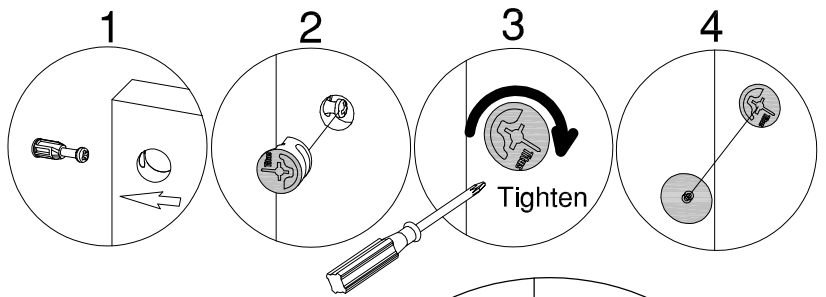
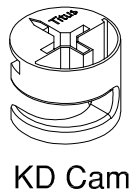
Scan QR Code to Watch Video on:



How to Tighten KD Cams



H181468



Have an assembly question or need a replacement part? Just call **1-800-950-4782**, we are here to help.

STEP 20

Assemble Panels

A217159

Scan QR Code to Watch Video on:

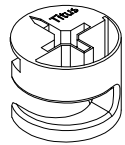


How to Tighten KD Cams



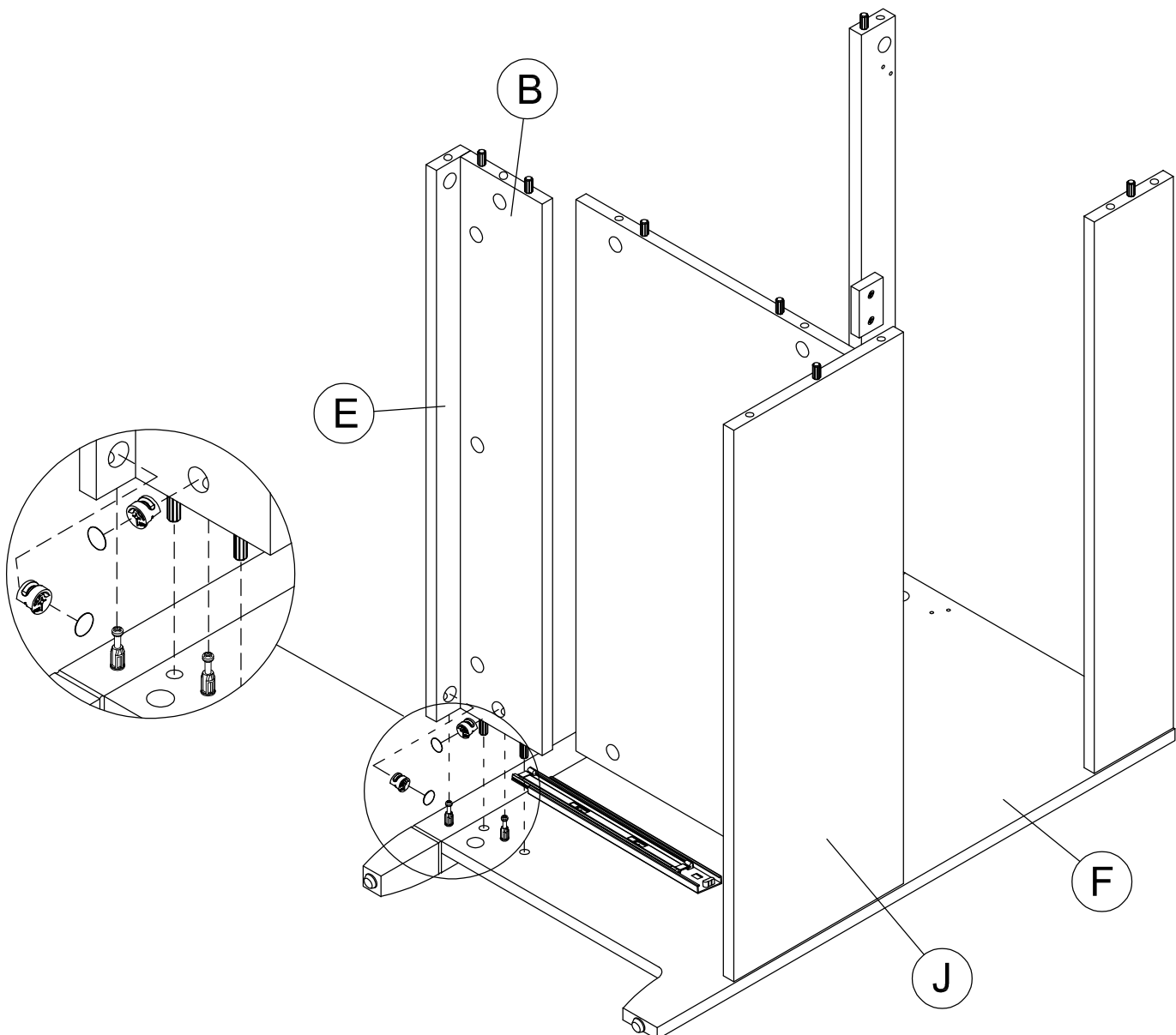
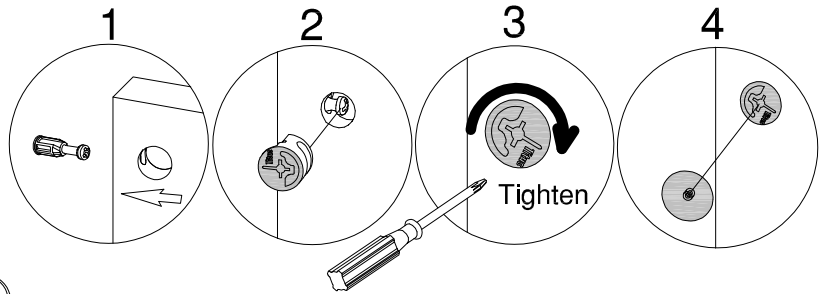
[2]

H181468



KD Cam

[2]



Have an assembly question or need a replacement part? Just call **1-800-950-4782**, we are here to help.

STEP 21

Assemble Panels

A217159

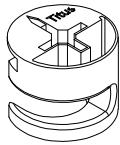
Scan QR Code to Watch Video on:



How to Tighten KD Cams



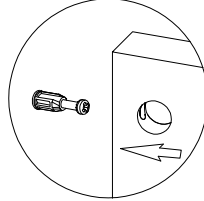
H181468



KD Cam

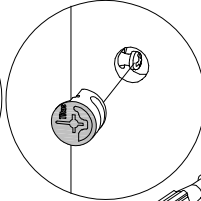
[8]

1

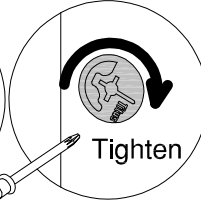


[9]

2

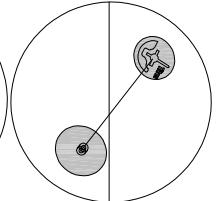


3

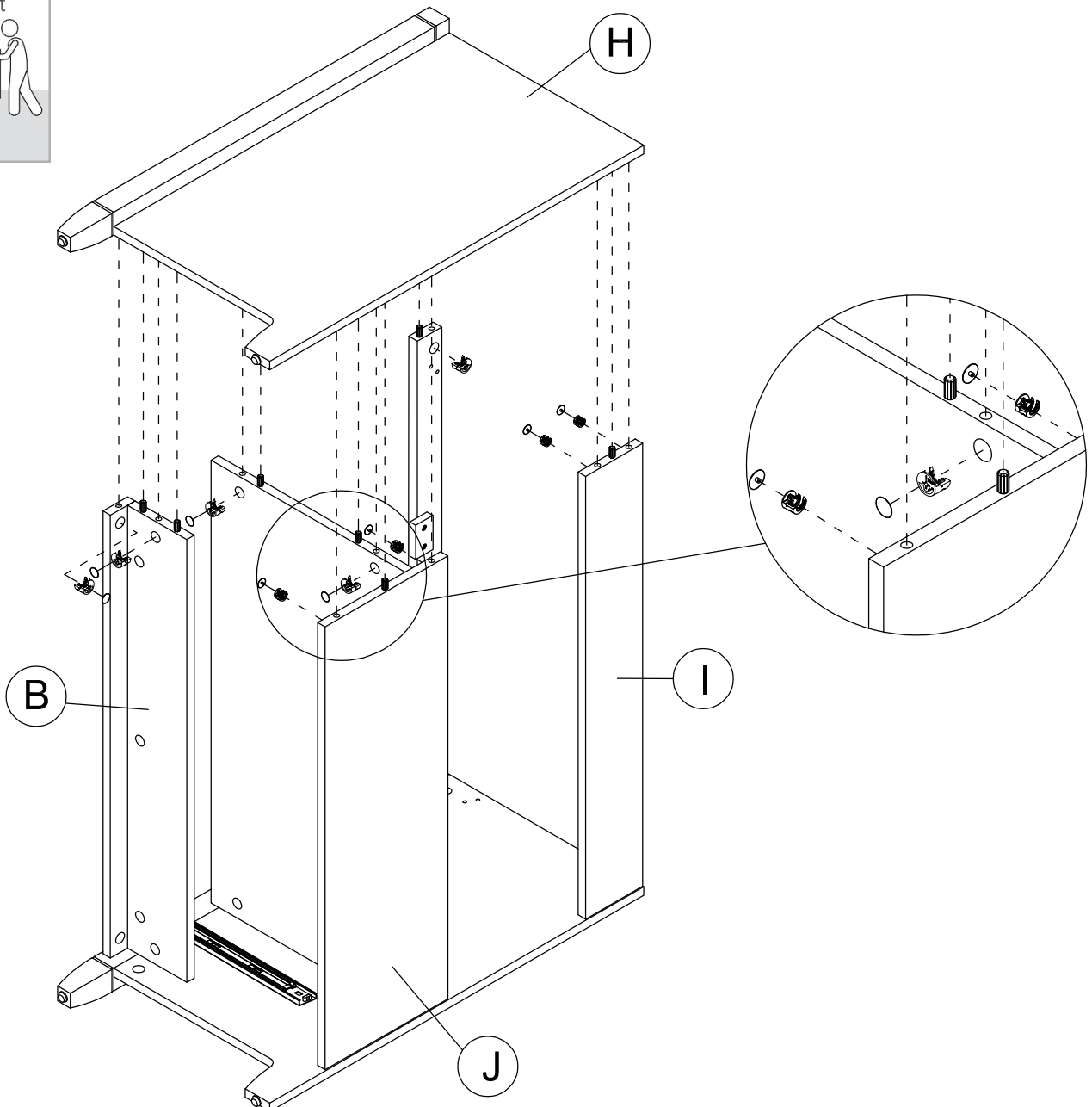


Tighten

4



Team Lift

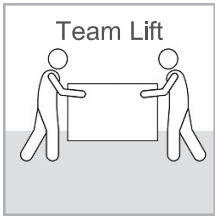


Have an assembly question or need a replacement part? Just call **1-800-950-4782**, we are here to help.

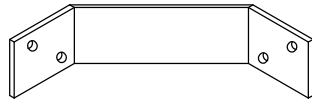
STEP 22

Install Hardware

A217159

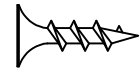


H200042



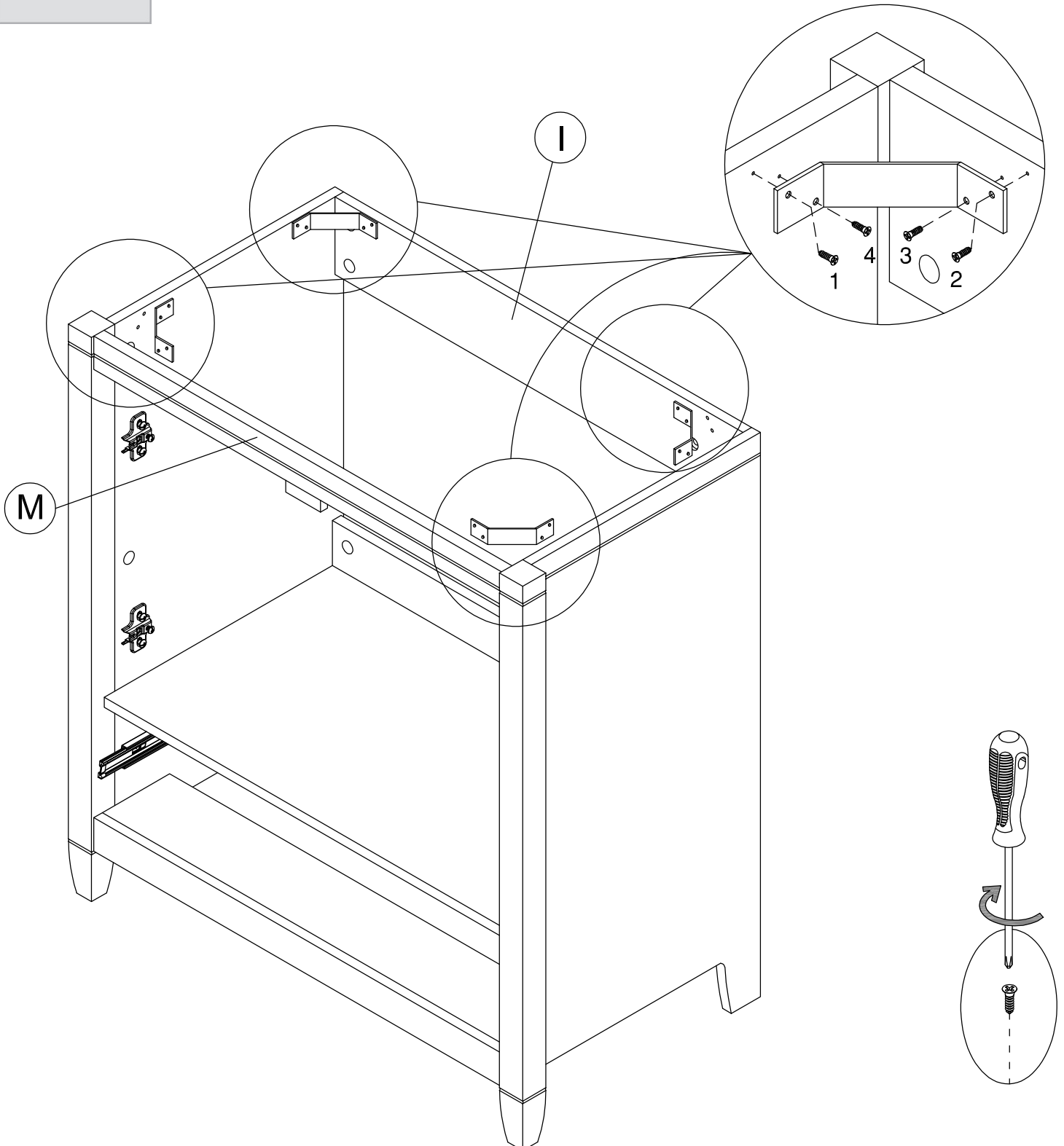
Corner Bracket

[4] H153242



[16]

#8 x 5/8"



Have an assembly question or need a replacement part? Just call
1-800-950-4782, we are here to help.

STEP 23

Install and Adjust Doors

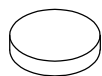
A217159

Scan QR Code to Watch Video on:



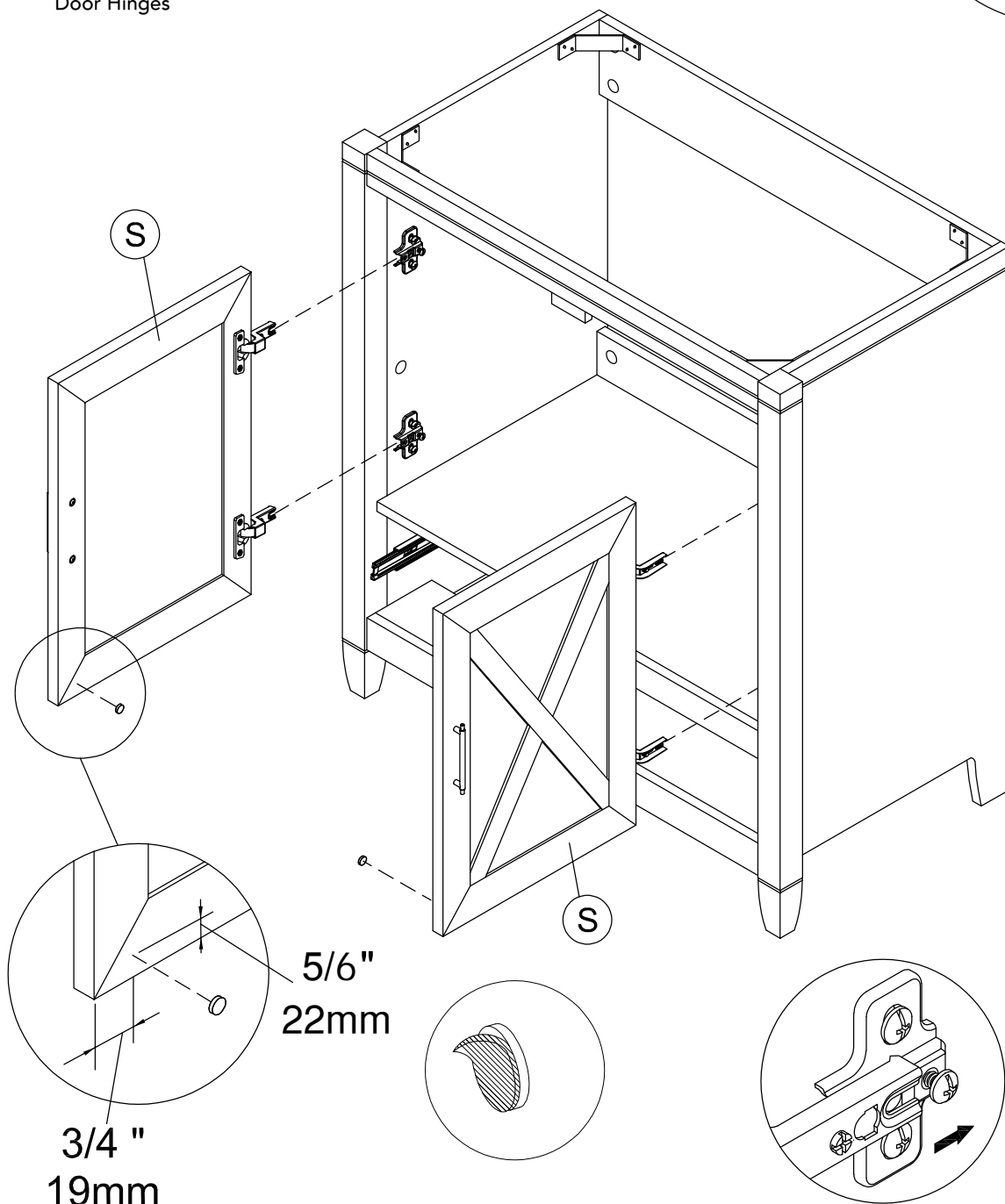
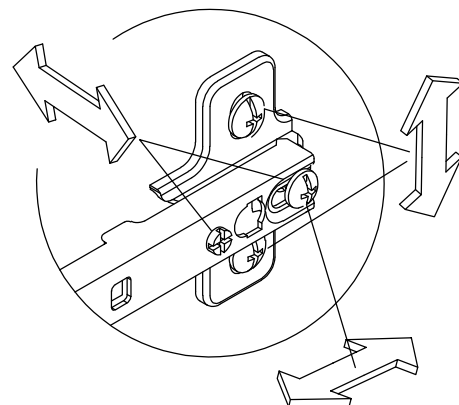
How to Adjust Door Hinges

H77351



[2]

Clear Bumper
Ø12x2mm

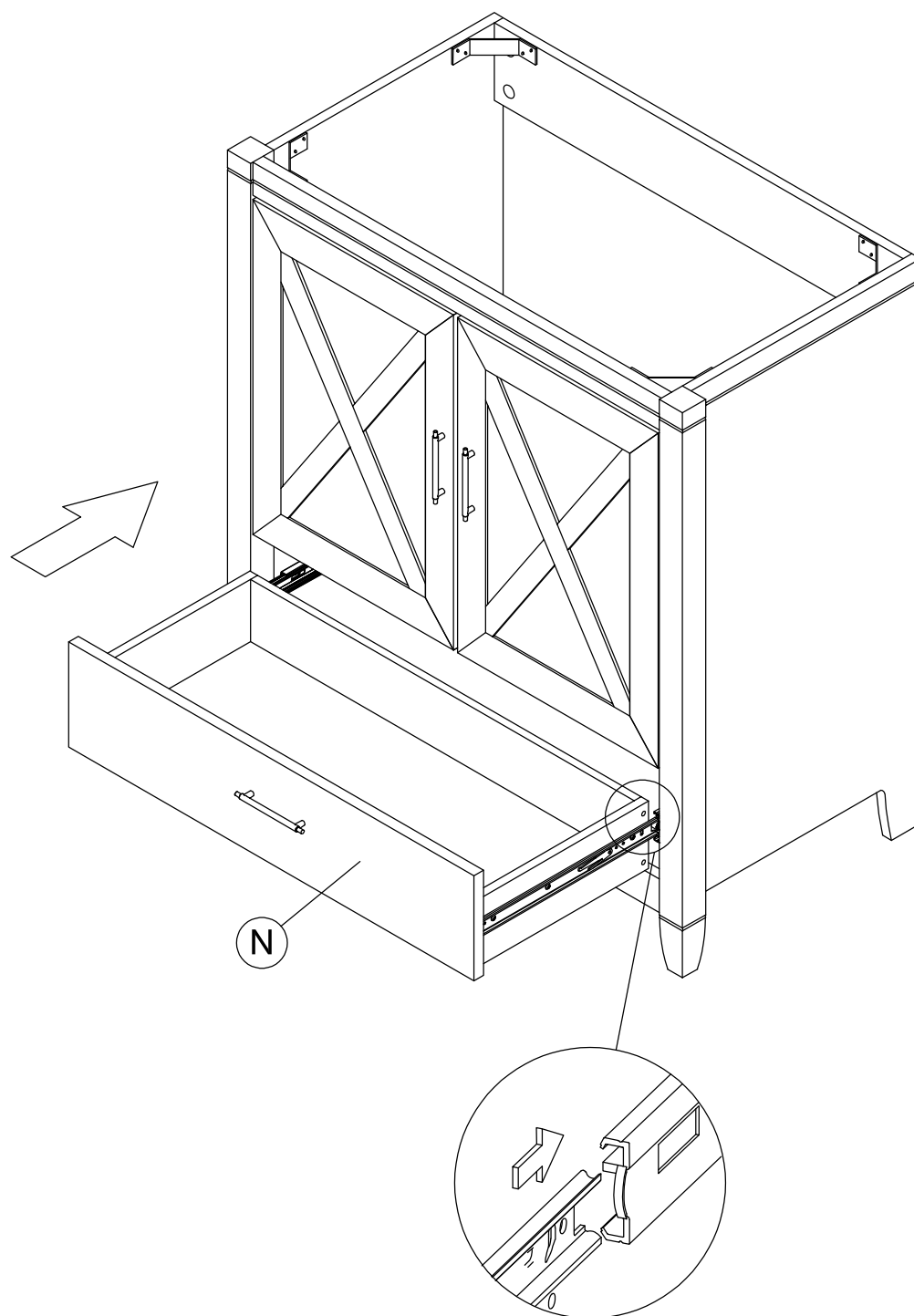


Have an assembly question or need a replacement part? Just call **1-800-950-4782**, we are here to help.

Scan QR Code to
Watch Video on:



How to Separate
and Install Drawer
Slides



Have an assembly question or need a replacement part? Just call
1-800-950-4782, we are here to help.

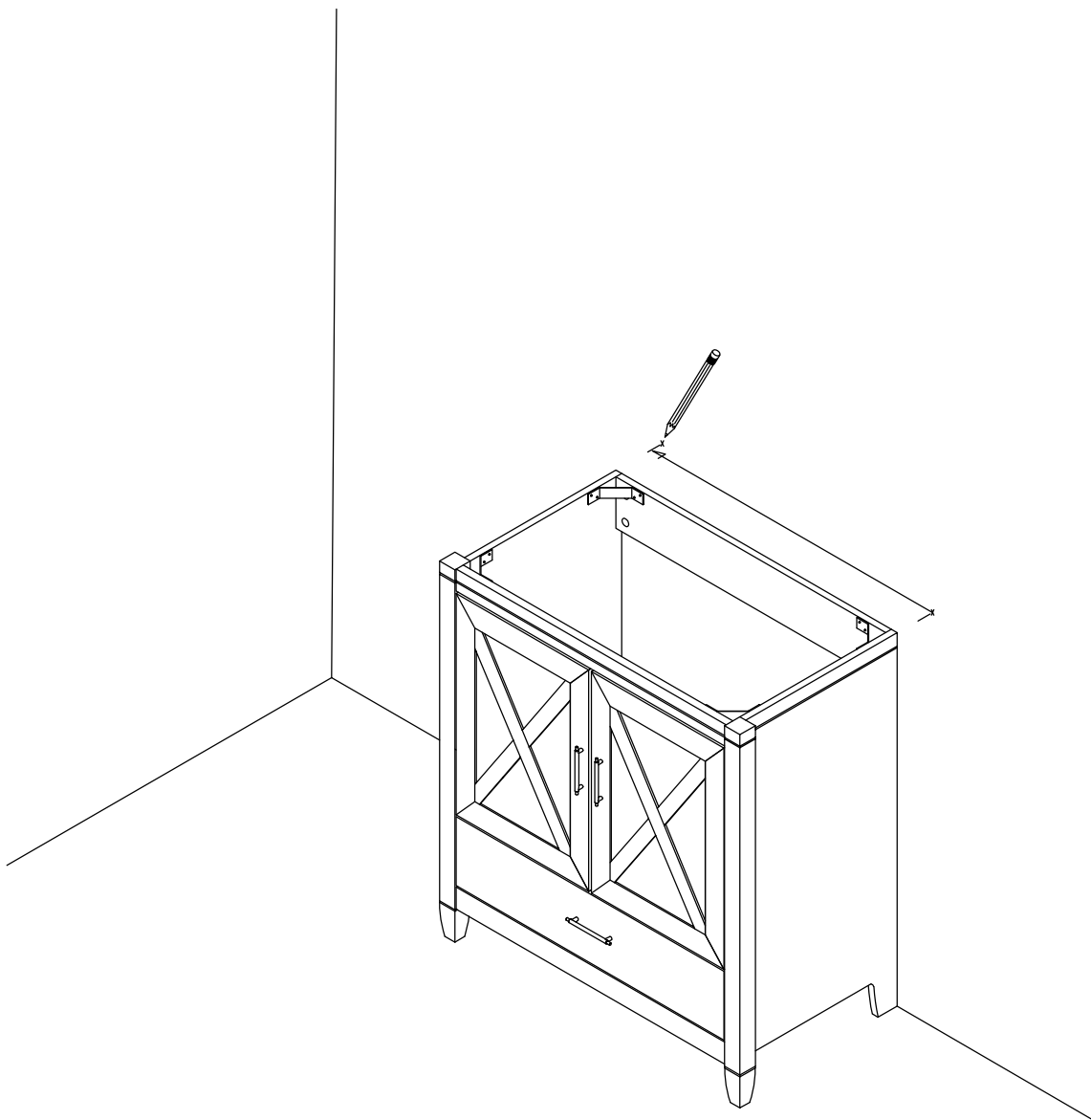
Scan QR Code to
Watch Video on:



Vanity Base
Attachment to
Wall Studs

Secure unit to wall studs. Unit intended for attachment against drywall. Consult your installation professional for installation against walls NOT made from drywall.

1. Place unit in desired location against wall.
2. Check level of unit and shim as required to achieve level top.
3. Mark top edge of unit and sides with pencil.



Have an assembly question or need a replacement part? Just call
1-800-950-4782, we are here to help.

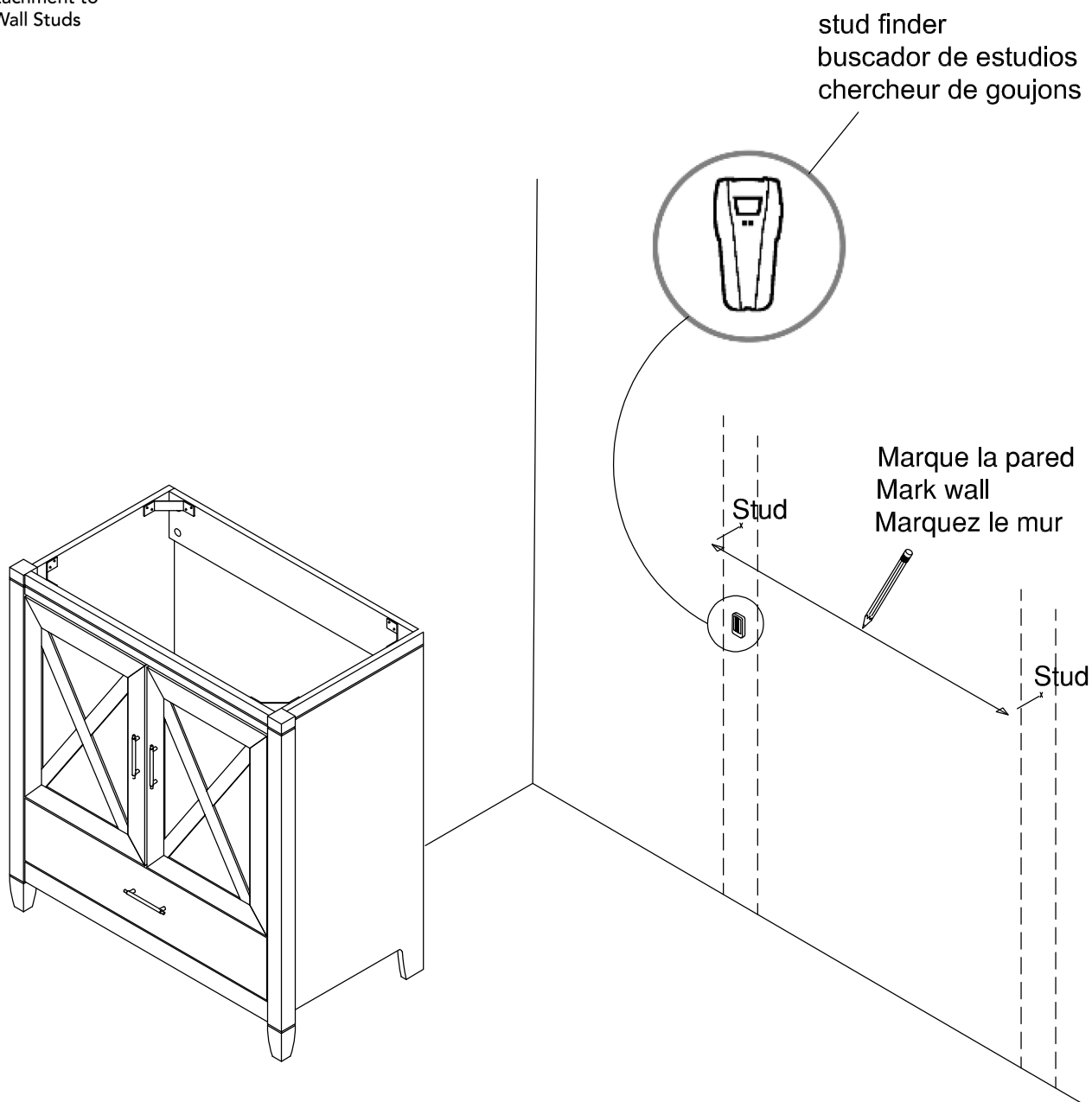
Scan QR Code to Watch Video on:



Vanity Base Attachment to Wall Studs

Move unit away from wall.

Using stud finder, locate and mark with pencil the centerline of 2 studs behind the unit.



Have an assembly question or need a replacement part? Just call **1-800-950-4782**, we are here to help.

Scan QR Code to Watch Video on:



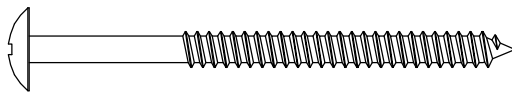
Vanity Base Attachment to Wall Studs

Place unit back against wall, verify level, and transfer stud centerline marks to unit top rail at back.

Drill (2) 1/8" (3mm) x 2.5" (60mm) holes through top rail into stud and secure using (2) #10 x 2.5" screws provided.

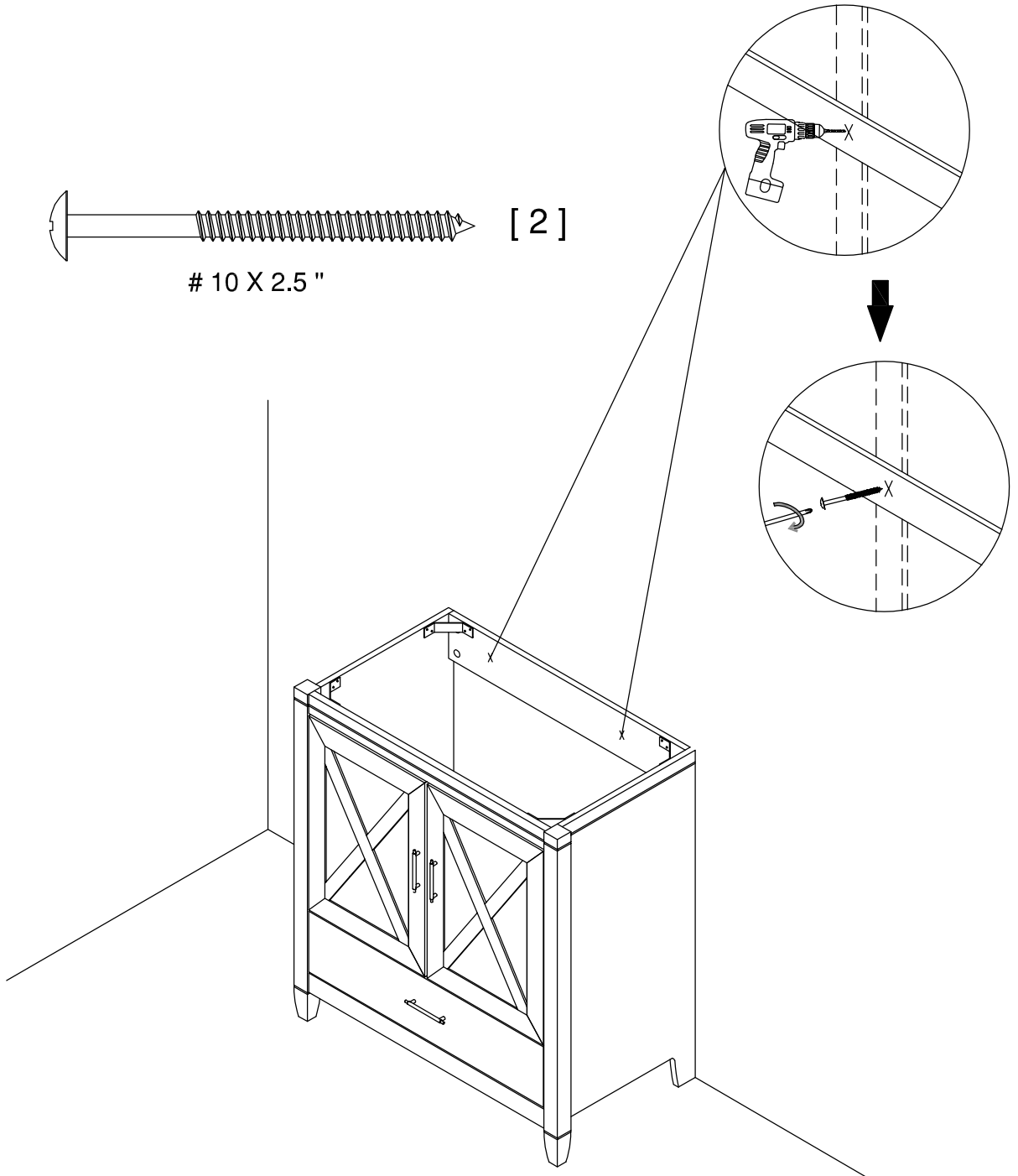
NOTE: There may be plumbing or electrical lines in the walls of residential dwellings. Care must be taken when drilling into walls. If you are not confident in your installation abilities, please consult an installation professional.

H217165



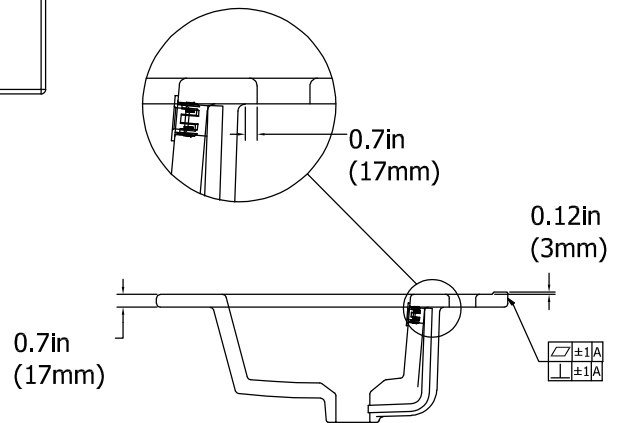
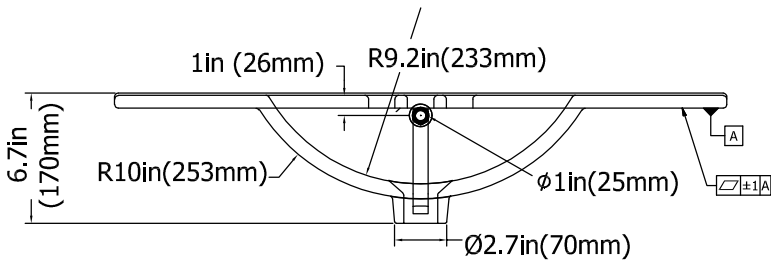
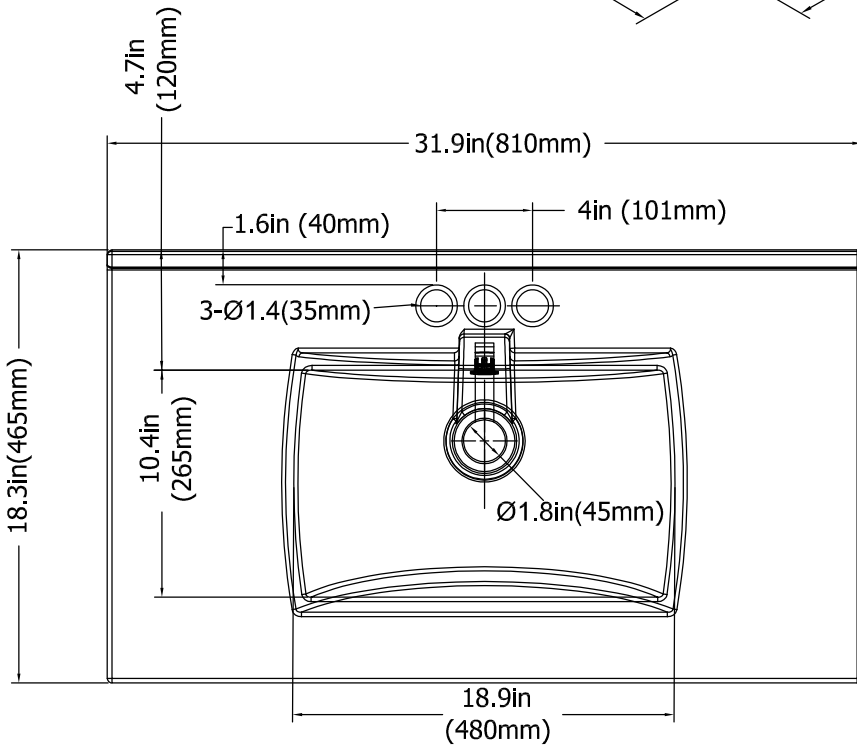
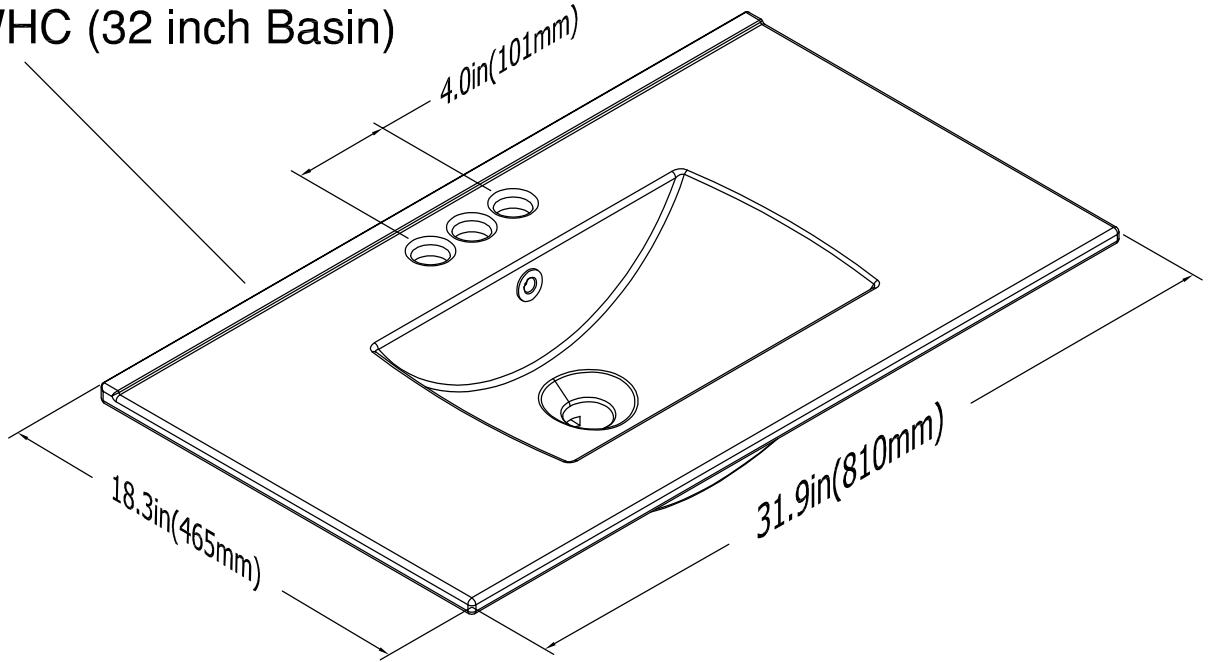
10 X 2.5 "

[2]

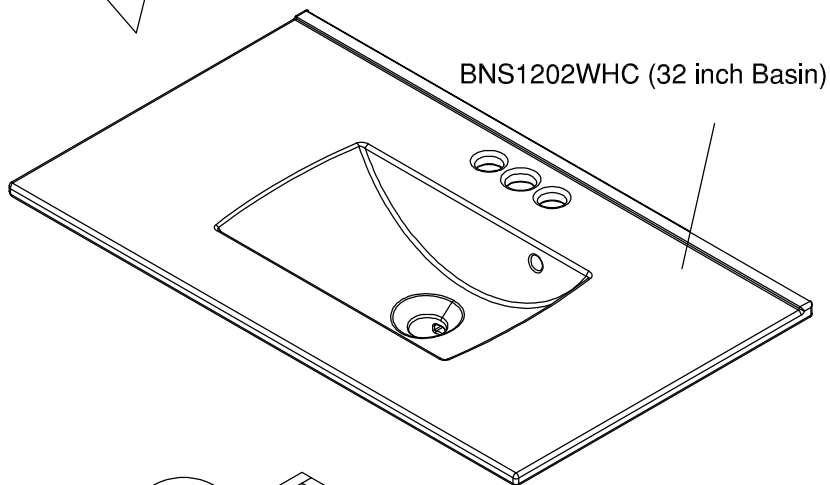
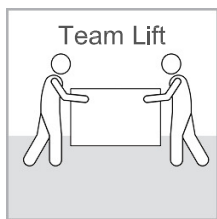


Have an assembly question or need a replacement part? Just call **1-800-950-4782**, we are here to help.

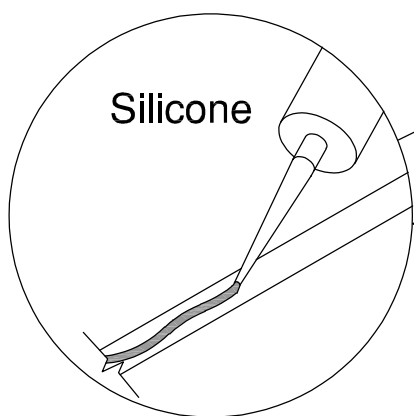
BNS1202WHC (32 inch Basin)



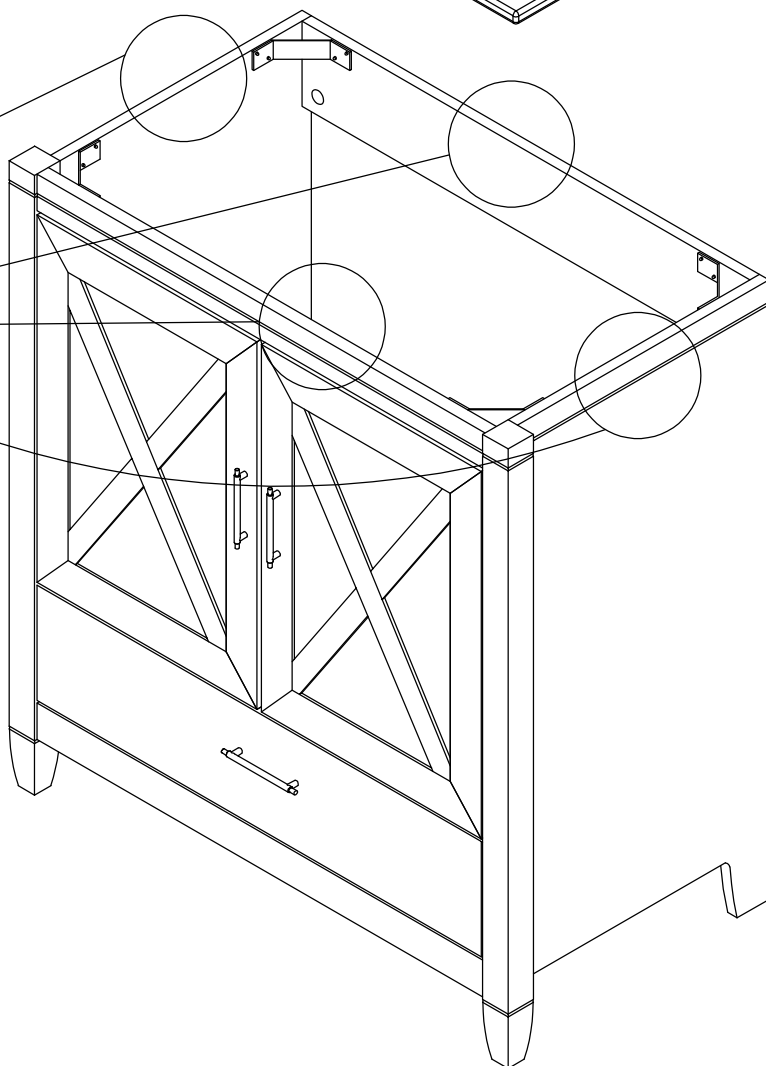
Have an assembly question or need a replacement part? Just call **1-800-950-4782**, we are here to help.



Use only through-wall plumbing attachments. Follow the instructions included with your plumbing fixtures. Install plumbing fixture and drain to basin before attaching basin to vanity using 100% silicone adhesive. Allow adhesive 24 hours cure time to achieve full strength. Consult a plumbing professional for specific installation questions and consult a local codes as applicable. Use only plumbing fixtures designed to fit either single hole or 3 hole, 4" centerline faucets.



Faucet, drain, silicone and all other plumbing components, tools and hardware are not included. Ensure the vanity is installed on a level floor. Unevenness can cause the vanity to become misaligned, resulting in twisting of the cabinet.



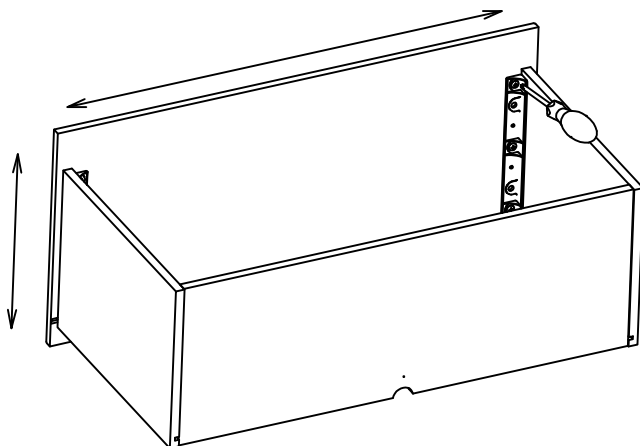
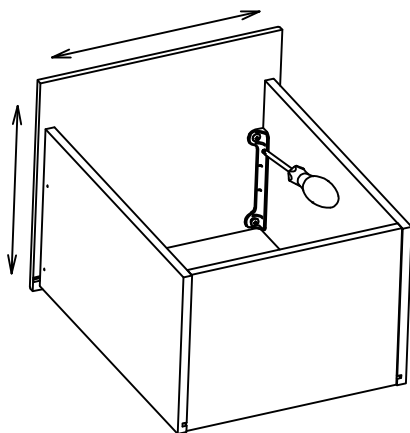
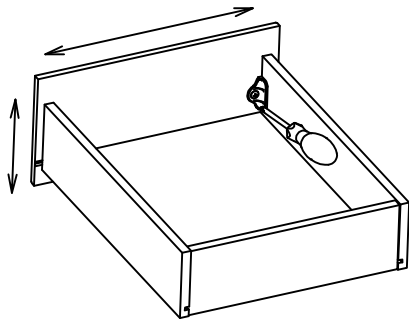
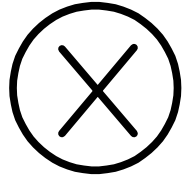
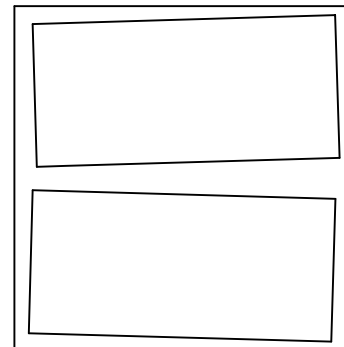
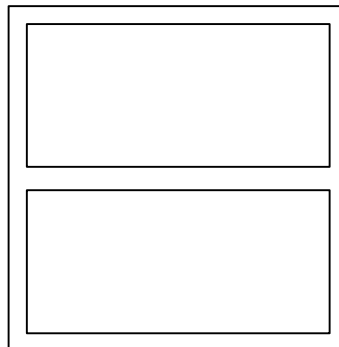
Have an assembly question or need a replacement part? Just call **1-800-950-4782**, we are here to help.

Scan QR Code to Watch Video on:



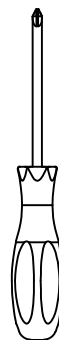
How to Adjust Drawer Fronts

DRAWER FRONT VIEW



REQUIRED TOOL: PHILLIPS SCREWDRIVER

HERRAMIENTA REQUERIDA: DESTORNILLADOR PHILLIPS
 OUTIL REQUIS: TOURNEVIS CRUCIFORME



1. LOOSEN SCREWS.
2. ADJUST DRAWER FRONTS.
3. TIGHTEN SCREWS.

1. Afloje los tornillos
2. Ajustar frentes de cajón
3. Apriete los tornillos

1. Desserrer les vis
2. Ajuster les façades des tiroirs
3. Serrer les vis

Have an assembly question or need a replacement part? Just call **1-800-950-4782**, we are here to help.

STEP 31

Maximum Loading and Cleaning

A217159

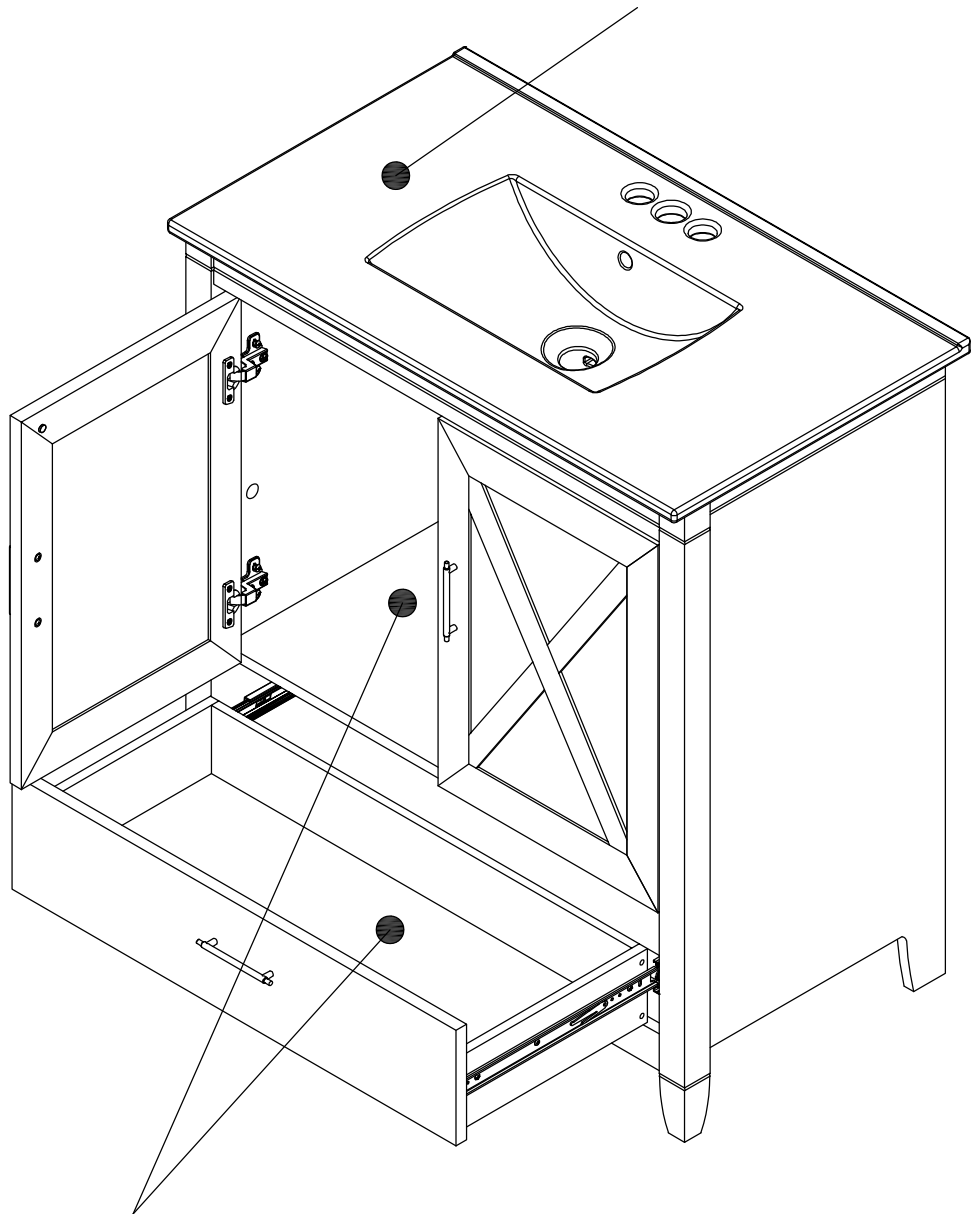
Scan QR Code to
Watch Video on:



How to Clean
the Surface

Gently clean
surfaces with a damp
sponge eraser.

MAXIMUM WEIGHT: 25 LBS (11.34 KG)
PESO MÁXIMO: 25 LBS (11.34 KILOGRAMO)
POIDS MAXIMUM: 25 LBS (11.34 KILOGRAMME)



MAXIMUM WEIGHT: 15 LBS (6.8 KG)
PESO MÁXIMO: 15 LBS (6.8 KILOGRAMO)
POIDS MAXIMUM: 15 LBS (6.8 KILOGRAMME)

Congratulations! You are all done. If you
have any questions or concerns, please call.

Have an assembly question or need a replacement part? Just call
1-800-950-4782, we are here to help.

KWVN132WAS

A	[1]	BNS1202WHC	K	[1]	W 199586
B	[1]	W 199578	L	[1]	W 200050
C	[1]	W 199589	M	[1]	W 204068
D	[1]	W 199593	N	[1]	W 211214
E	[1]	W 199581	O	[1]	W 211215
F	[1]	W 211212	P	[1]	W 211216
G	[1]	W 200051	Q	[1]	W 211217
H	[1]	W 211213	R	[1]	W 199594
I	[1]	W 204069	S	[2]	S 217185
J	[1]	W 199585			

H192368



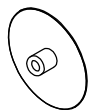
[28]

Cover Cap

KWVN132DG

A	[1]	BNS1202WHC	K	[1]	W 199569
B	[1]	W 199561	L	[1]	W 200048
C	[1]	W 199572	M	[1]	W 204064
D	[1]	W 199576	N	[1]	W 211220
E	[1]	W 199564	O	[1]	W 211221
F	[1]	W 211218	P	[1]	W 211222
G	[1]	W 200049	Q	[1]	W 211223
H	[1]	W 211219	R	[1]	W 199577
I	[1]	W 204065	S	[2]	S 217186
J	[1]	W 199568			

H200206



[28]

Cover Cap

Have an assembly question or need a replacement part? Just call
1-800-950-4782, we are here to help.

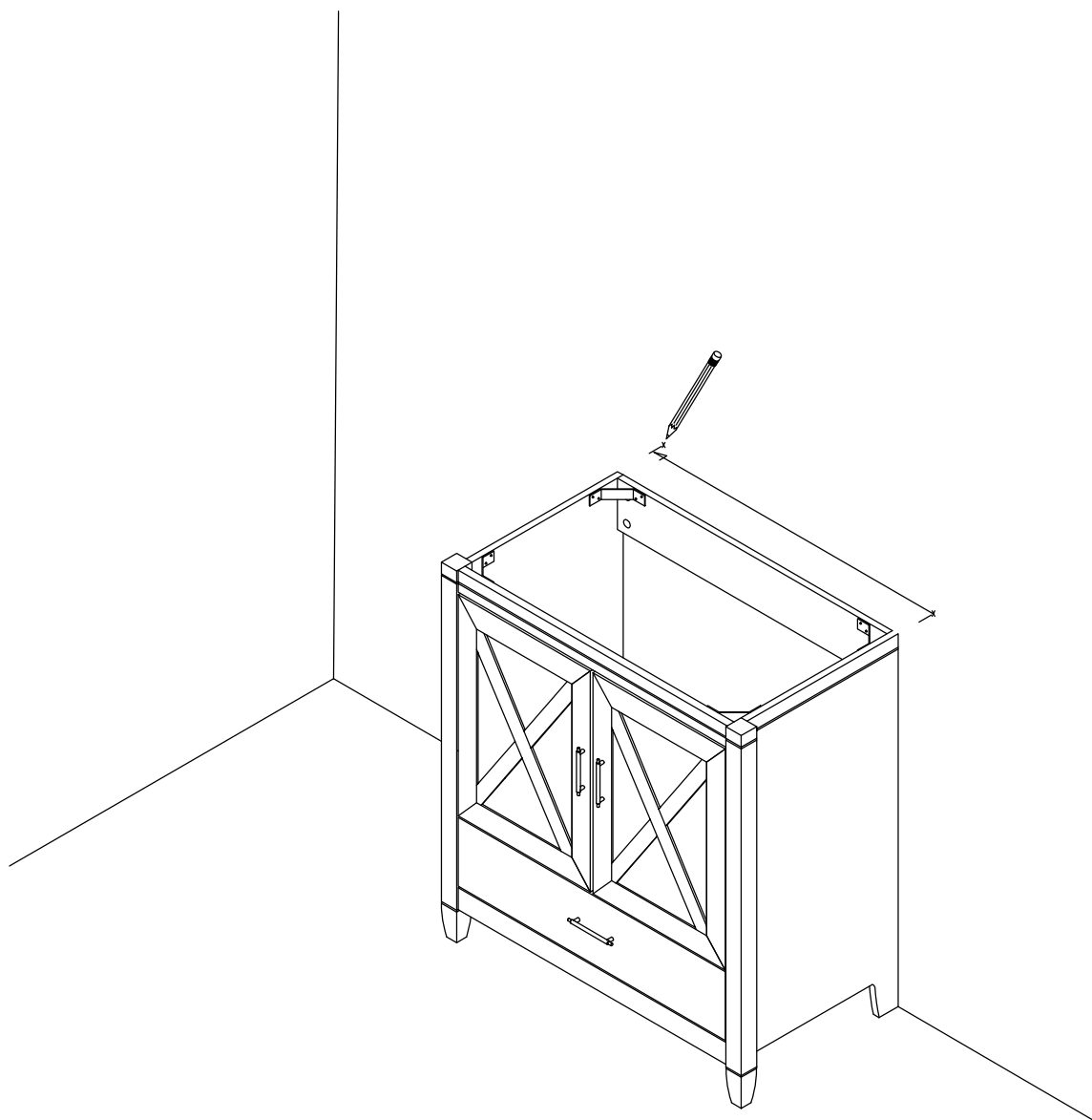
Scan QR Code to
Watch Video on:



Vanity Base
Attachment to
Wall Studs

Asegure la unidad a los montantes de la pared. Unidad destinada a fijación contra paneles de yeso. Consulte a su instalador para la instalación contra paredes que NO estén hechas de paneles de yeso.

1. Coloque la unidad en la ubicación deseada contra la pared.
2. Verifique el nivel de la unidad y calce según sea necesario para alcanzar el nivel superior.
3. Marque el borde superior de la unidad y los lados con un lápiz.



Have an assembly question or need a replacement part? Just call
1-800-950-4782, we are here to help.

Scan QR Code to Watch Video on:

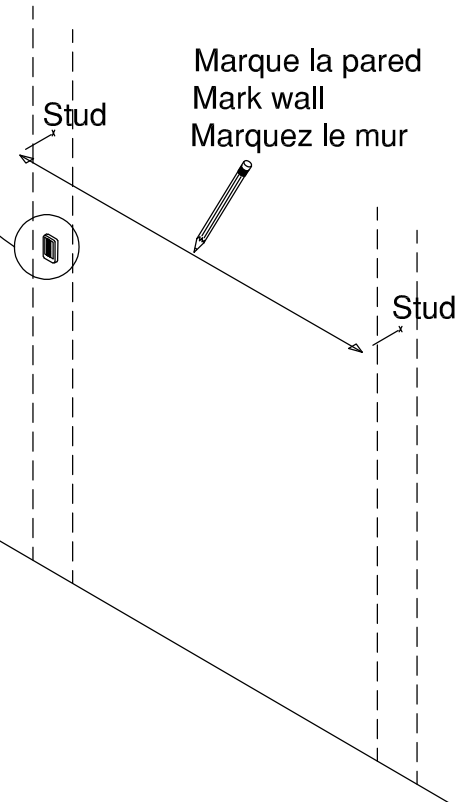
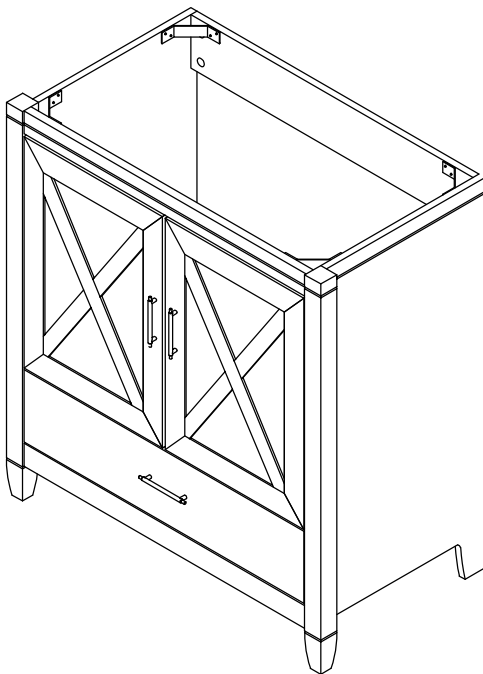
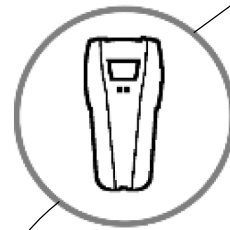


Vanity Base Attachment to Wall Studs

Aleje la unidad de la pared.

Con el buscador de vigas, ubique y marque con lápiz la línea central de 2 vigas detrás de la unidad.

stud finder
buscador de estudios
chercheur de goujons



Have an assembly question or need a replacement part? Just call **1-800-950-4782**, we are here to help.

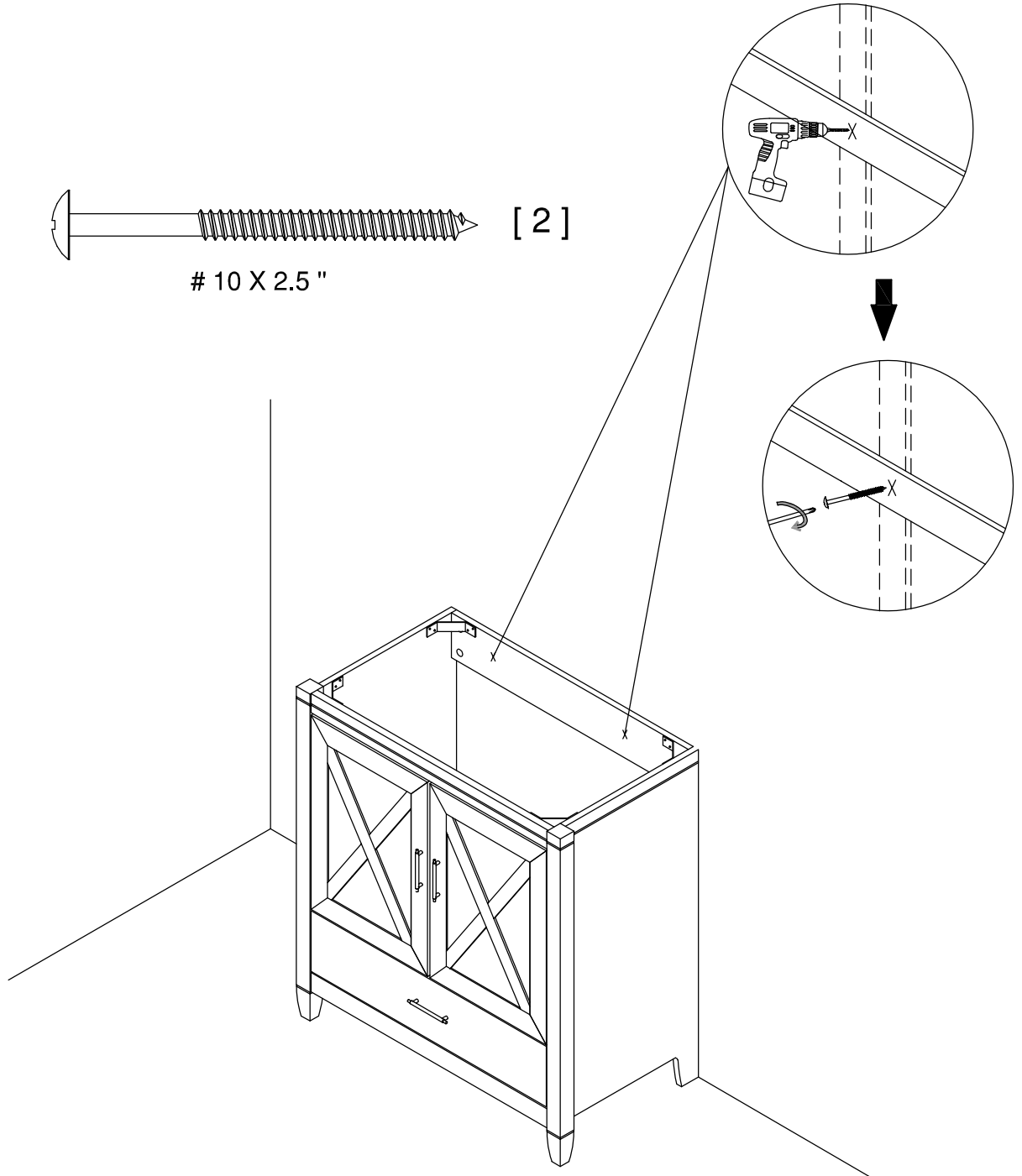
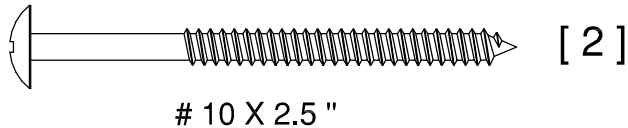
Scan QR Code to
Watch Video on:



Vanity Base
Attachment to
Wall Studs

Coloque la unidad contra la pared, verifique el nivel y transfiera las marcas de la línea central de los montantes al riel superior de la unidad en la parte posterior. Taladre (2) orificios de 1/8 "(3 mm) x 2,5" (60 mm) a través del riel superior en el montante y asegúrelos con (2) tornillos # 10 x 2,5 "incluidos. NOTA: Puede haber tuberías o líneas eléctricas en las paredes de las viviendas residenciales. Se debe tener cuidado al perforar paredes. Si no está seguro de sus capacidades de instalación, consulte a un instalador profesional.

H217165



Have an assembly question or need a replacement part? Just call
1-800-950-4782, we are here to help.

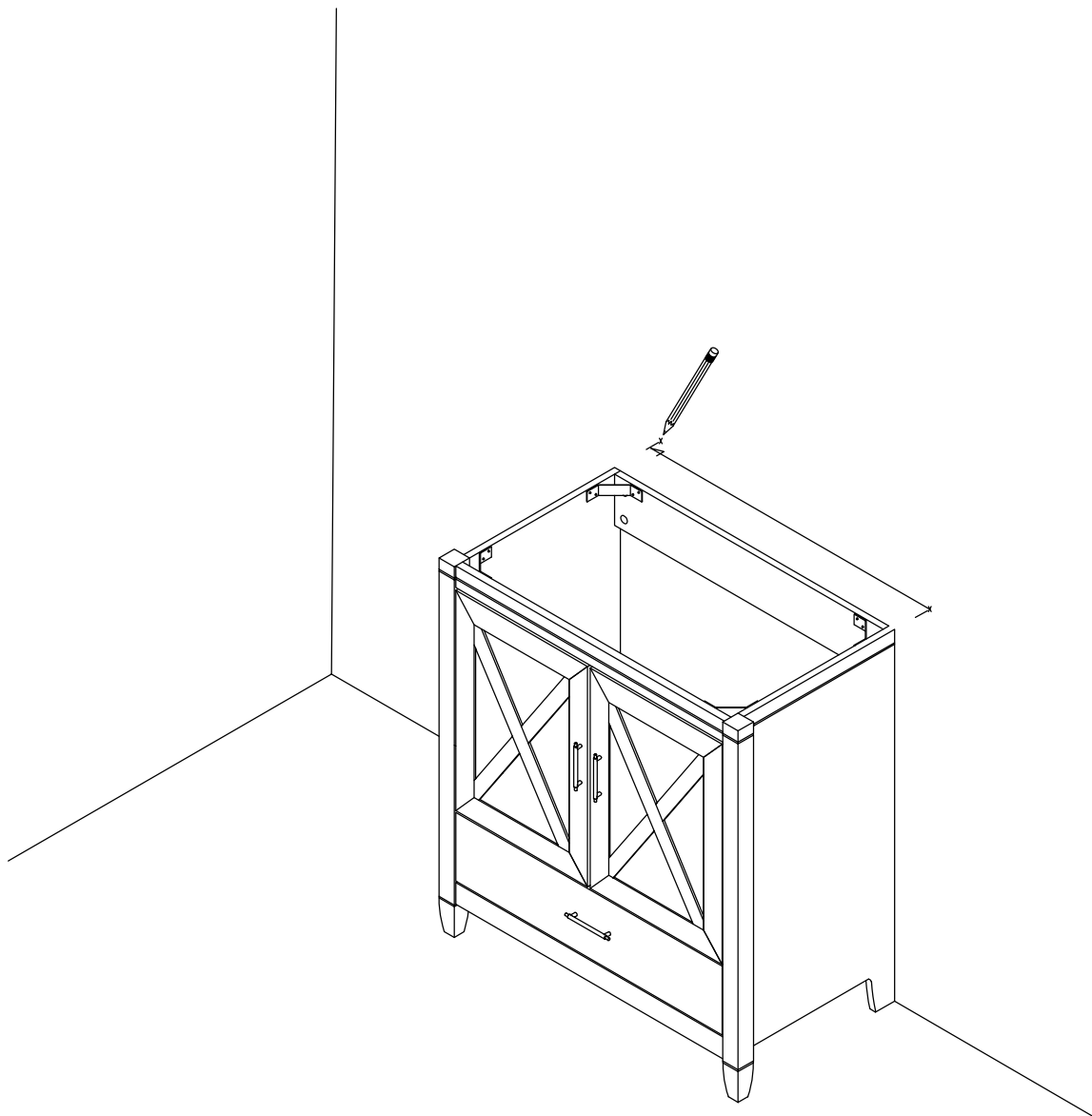
Scan QR Code to
Watch Video on:



Vanity Base
Attachment to
Wall Studs

Fixez l'unité aux montants muraux. Unité destinée à être fixée contre des cloisons sèches. Consultez votre professionnel de l'installation pour l'installation contre des murs NON fabriqués à partir de cloisons sèches.

1. Placez l'unité à l'emplacement souhaité contre le mur.
2. Vérifiez le niveau de l'unité et calez si nécessaire pour atteindre le niveau supérieur.
3. Marquer le bord supérieur de l'appareil et les côtés avec un crayon.



Have an assembly question or need a replacement part? Just call
1-800-950-4782, we are here to help.

Scan QR Code to Watch Video on:

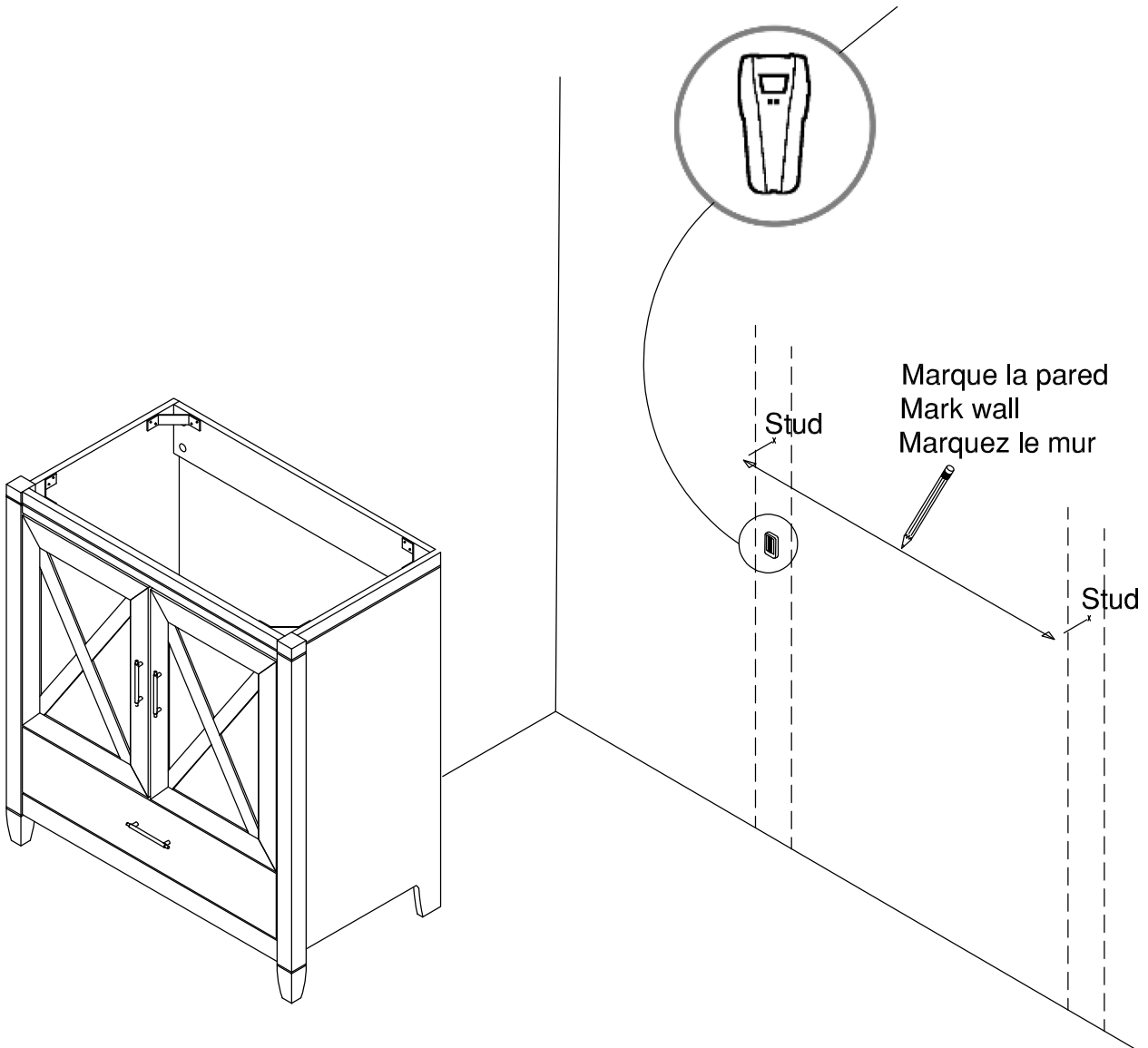


Vanity Base Attachment to Wall Studs

Éloignez l'appareil du mur.

À l'aide du détecteur de montants, localisez et marquez avec un crayon la ligne centrale de 2 montants derrière l'unité.

stud finder
buscador de estudios
chercheur de goujons



Have an assembly question or need a replacement part? Just call **1-800-950-4782**, we are here to help.

Scan QR Code to
Watch Video on:



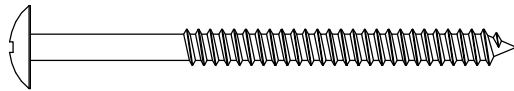
Vanity Base
Attachment to
Wall Studs

Placez l'unité contre le mur, vérifiez le niveau et transférez les marques de ligne centrale des montants sur le rail supérieur de l'unité à l'arrière.

Percez (2) trous de 1/8 " (3 mm) x 2,5" (60 mm) à travers le rail supérieur dans le montant et fixez à l'aide des (2) vis # 10 x 2,5 " fournies.

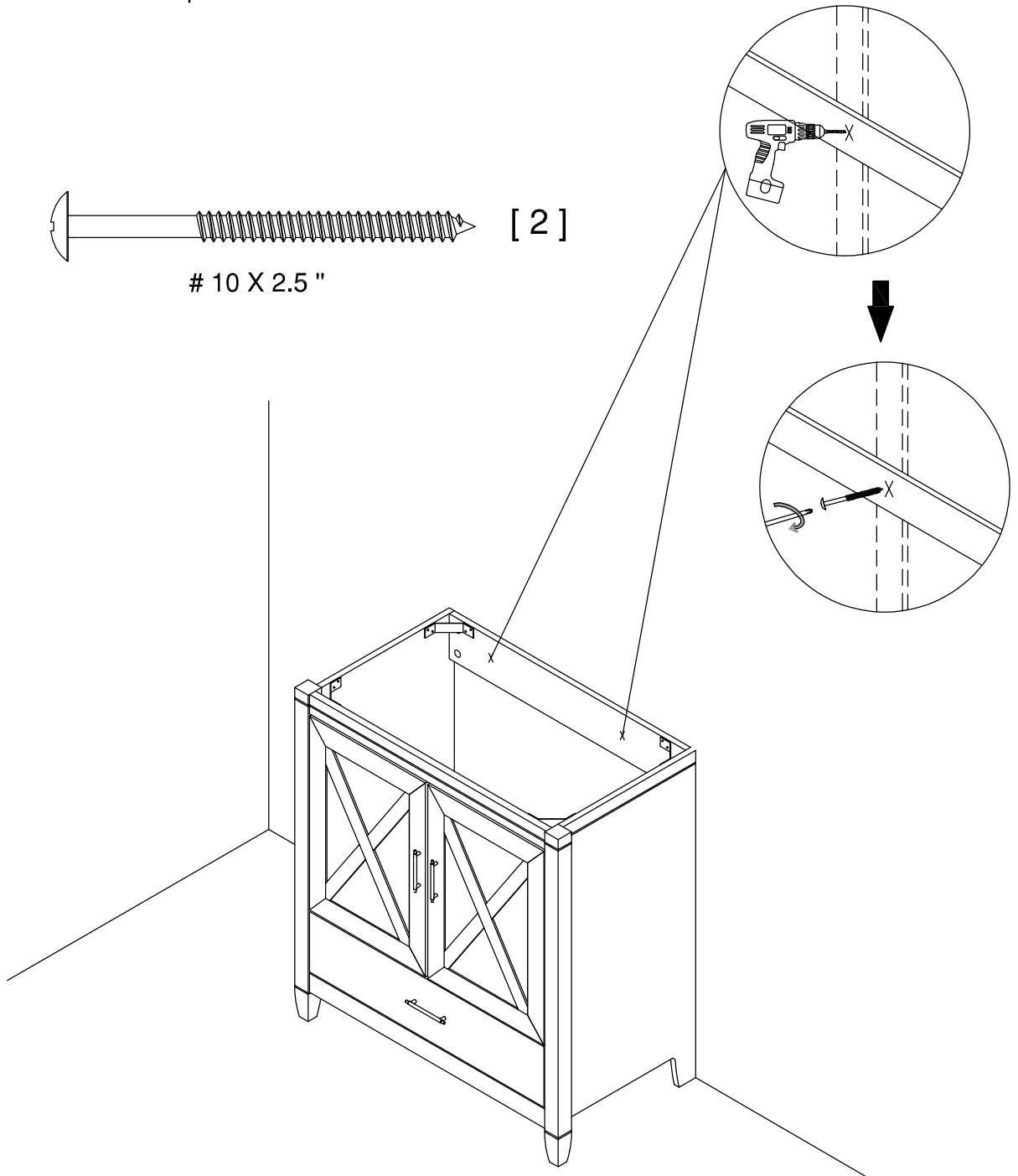
REMARQUE: Il peut y avoir de la plomberie ou des lignes électriques dans les murs des habitations résidentielles. Des précautions doivent être prises lors du perçage dans les murs. Si vous n'êtes pas sûr de vos capacités d'installation, veuillez consulter un professionnel de l'installation.

H217165



10 X 2.5 "

[2]



Have an assembly question or need a replacement part? Just call
1-800-950-4782, we are here to help.

THIS PAGE INTENTIONALLY LEFT BLANK

THIS PAGE INTENTIONALLY LEFT BLANK

THIS PAGE INTENTIONALLY LEFT BLANK

WARRANTY INFORMATION/INFORMATIONS POUR LA GARANTIE/INFORMACIÓN DE GARANTÍA

BUSH FURNITURE'S WRITTEN WARRANTY TO YOU

In order to provide you with timely assistance, please thoroughly inspect your furniture for missing or defective parts immediately after opening the carton. To receive replacement or missing parts under this warranty, call our Consumer Service Department TOLL-FREE at 1-800-950-4782. Please have the Model, Part, and Lot Numbers found in the instruction manual available for your reference. You will also need your sales receipt or other proof of purchase. Replacement part(s) will be shipped to you at no charge with Bush Industries assuming all shipping and handling charges.

This Bush Furniture product is warranted to the original purchaser at the time of purchase and for a period of one year thereafter.

We warrant to you, the original purchaser, that our furniture and all its parts and components are free of defects in material or workmanship. "Defects," as used in this warranty, is defined as any imperfection which impairs the use of the furniture product.

Our warranty is expressly limited to the replacement of furniture parts and components. For one year after the date of purchase, Bush will replace any parts that are defective in material or workmanship.

This warranty applies under conditions of normal use. Our Bush Furniture products are not intended for outdoor use. This warranty does not cover: 1) defects caused by improper assembly or disassembly; 2) defects occurring after purchase due to product modification, intentional damage, accident, misuse, abuse, negligence or exposure to the elements; and 3) labor or assembly costs. 4) batteries are not included.

IMPLIED WARRANTIES, INCLUDING THE WARRANTY OF MERCHANTABILITY, SHALL NOT EXTEND BEYOND THE DURATION OF THE WRITTEN WARRANTY STATED ABOVE, AND IN NO EVENT SHALL BUSH BE LIABLE FOR INCIDENTAL OR CONSEQUENTIAL DAMAGES RESULTING FROM USE OF THE PRODUCT. Some states do not allow a limitation on how long an implied warranty lasts or the exclusion or limitation of incidental or consequential damages, so the above limitation and exclusion may not apply to you.

This warranty gives you specific legal rights. You may also have other rights that may vary from state to state.

VOTRE GARANTIE BUSH FURNITURE

Afin de vous assister rapidement, veuillez inspecter votre mobilier en détail immédiatement après l'ouverture du carton en cas de pièces manquantes ou défectueuses. Pour recevoir une pièce de rechange ou manquante couverte par cette garantie, appelez notre département de service clientèle GRATUITEMENT au 1-800-950-4782. Veuillez tenir à disposition les numéros de modèle, de pièce et de lot qui se trouvent dans le manuel d'instruction pour votre référence. Vous aurez également besoin de votre reçu ou d'une autre preuve d'achat. La (les) pièce(s) de rechange vous sera (seront) envoyée(s) sans frais, Bush Industries se chargeant de tous les frais d'expédition.

Tout le produit Bush Furniture est garanti à l'acheteur original à partir de la date d'achat pour une période d'un an.

Nous vous garantissons, à vous l'acheteur original, que notre mobilier et toutes ses pièces et composants sont sans défaut de matériau ou de fabrication. Le terme "défauts" utilisé dans cette garantie, est défini comme étant toutes les imperfections qui compromettent l'utilisation du meuble.

Notre garantie est expressément limitée au remplacement des pièces et des composants du mobilier. Pendant un an après la date d'achat, Bush remplacera toute pièce défectueuse dans le matériau ou sa fabrication.

Cette garantie d'applique sous des conditions d'utilisation normale. Nos produits ne sont pas destinés à être utilisés en plein air. Cette garantie ne couvre pas: 1) les défauts causés par un mauvais assemblage ou démontage, 2) les défauts ayant lieu après l'achat et dus à la modification du produit, des dommages intentionnels, des accidents, une mauvaise utilisation, un mauvais traitement, la négligence ou l'exposition aux éléments, et 3) les frais de main d'œuvre ou d'assemblage. 4) les piles ne sont pas incluses.

LES GARANTIES TACITES, Y COMPRIS LA GARANTIE DE QUALITE MARCHANDE, NE S'ETENDRONT PAS AU-DELA DE LA DUREE ECRITE CITEE CI-DESSUS, ET BUSH NE SERA EN AUCUN CAS RESPONSABLE DES DOMMAGES ACCESSOIRES OU INDIRECTS RESULTANT DE L'UTILISATION DU PRODUIT. Certains états ne permettent pas d'appliquer une limite à la durée de la garantie tacite, ni une exclusion ou limitation des dommages accessoires ou indirects; dans ce cas les limitations ou exclusion ci-dessus peuvent ne pas s'appliquer à vous.

Cette garantie vous donne des droits légaux spécifiques. Il se peut que vous ayez également d'autres droits qui peuvent varier d'un état à l'autre.

GARANTIA ESCRITA DE BUSH FURNITURE PARA USTED

Para brindarle asistencia oportuna, por favor, verifique detalladamente que a su mueble no le falte o tenga piezas defectuosas inmediatamente después de abrir la caja. Para recibir un reemplazo o la parte faltante bajo esta garantía, llame a nuestro Departamento de Servicio al Consumidor GRATIS al 1-800-950-4782. Sírvase traer los números de modelo, parte y lote que se encuentran en el manual de instrucciones disponible para su referencia. Además, necesitará el recibo de su compra u otra prueba de compra. La(s) pieza(s) de reemplazo le será(n) enviada(s) sin recargo por Bush Industries asumiendo los gastos de envío y manipuleo.

Todo mueble de Bush Furniture es garantizado al comprador original al momento de la compra y por un periodo de uno año en adelante.

Le garantizamos a usted, el comprador original, que nuestros muebles sus partes y componentes están libres de defectos en materiales o trabajo. "Defectos", según se usa en esta garantía, se define como una imperfección que perjudica el uso del producto mobiliario.

Nuestra garantía se limita expresamente al reemplazo de partes y componentes mobiliarios. Durante uno año después de la fecha de compra, Bush reemplazará cualquier parte defectuosa en material o trabajo.

Esta garantía se aplica bajo condiciones de uso normal. Nuestros productos de Bush Furniture no son para uso en exteriores. Esta garantía no cubre: 1) defectos causados por un ensamblaje o desensamblaje inadecuado; 2) defectos que ocurran después de la compra debido a modificación del producto, daño intencional, accidente, mal uso, abuso, negligencia o exposición a los elementos; y 3) costos de trabajo o ensamblaje. 4) las baterías no están incluidas.

LAS GARANTÍAS IMPLICADAS, INCLUYENDO LA GARANTÍA DE COMERCIABILIDAD, NO SE EXTENDERÁN MÁS ALLÁ DE LA DURACIÓN DE LA GARANTÍA ESCRITA MENCIONADA, Y EN NINGÚN CASO BUSH SERÁ RESPONSABLE POR DAÑOS INCIDENTALES O CONSIGUIENTES COMO RESULTADO DEL USO DEL PRODUCTO. Algunos estados no permiten una limitación sobre el tiempo de duración de la garantía implicada o la exclusión o limitación de daños incidentales o consiguientes, de manera que la limitación y exclusión mencionadas pueden no aplicarse para usted.

Esta garantía le otorga derechos legales específicos. Puede también tener otros derechos que pueden variar según los estados.

1-Year
Manufacturer's
Warranty

Register your product online:

Scan the QR Code or go to
[https://bushfurniture.com/
activate-warranty/](https://bushfurniture.com/activate-warranty/)



Assembly tips & how to videos:

Scan the QR Code to access our video
guides [https://bushfurniture.com/
help-faq/#assembling](https://bushfurniture.com/help-faq/#assembling)

