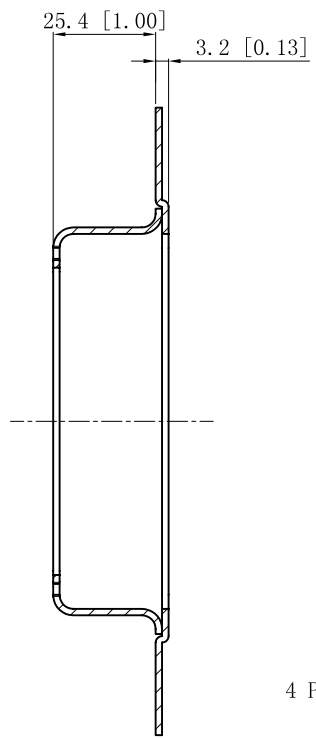
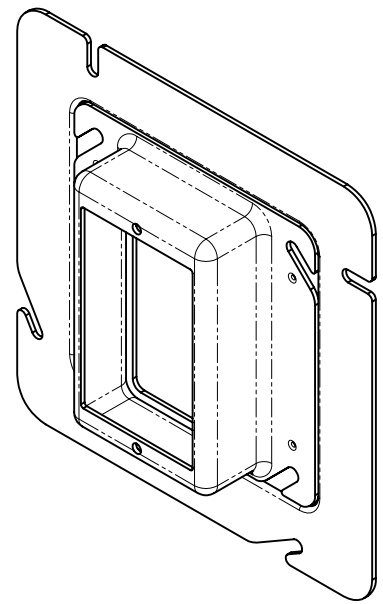
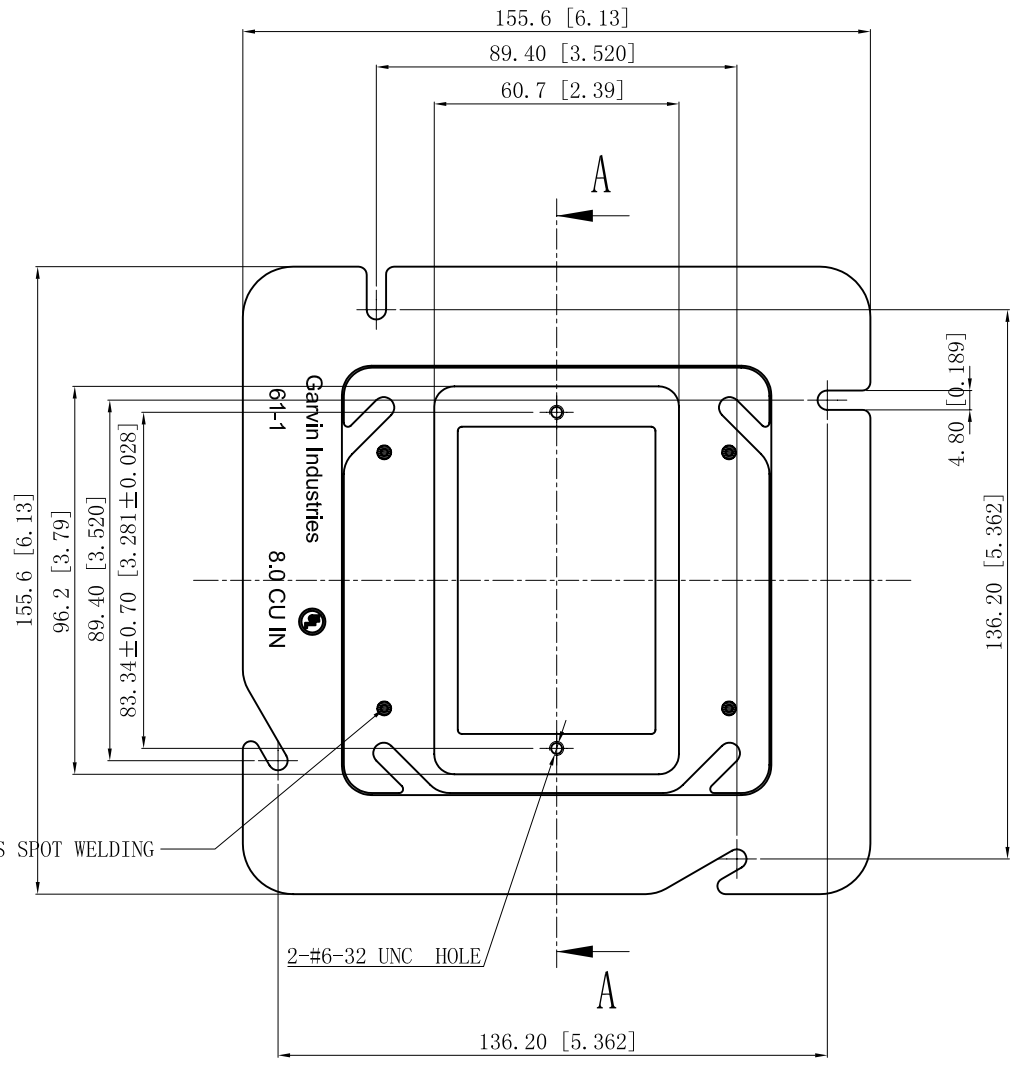


SIDES	BOTTOM
Material: Steel-(0.062")-G60 Galvanized	



CUTAWAY VIEW A-A



DESCRIPTION
TRADE REFERENCE TERMS

This data sheet is for reference only .GARVIN INDUSTRIES reserves the right to make changes to the design without prior notice.

STANDARD PACKING	<h1 style="text-align: center;">GARVIN INDUSTRIES</h1> <h2 style="text-align: center;">SINGLE GANG MUD RINGS 6" SQUARE</h2>		
25 PCS			
	TITLE	DWG NO.	REV
	A4	61-1	D
DATA SHEET			