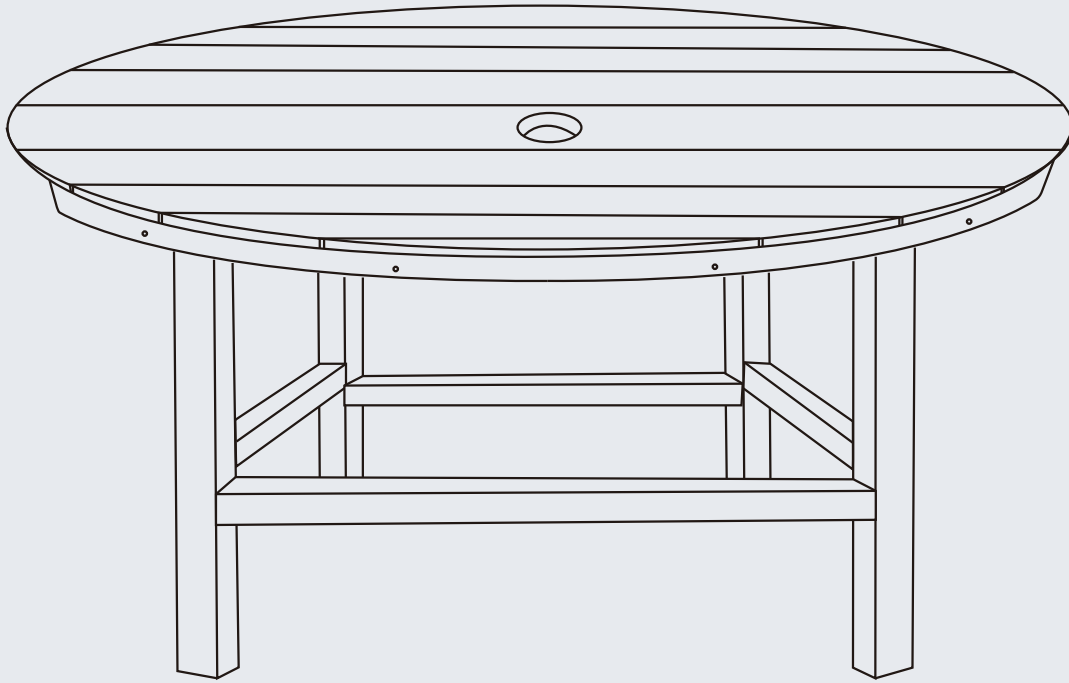


# INSTRUCTION MANUAL



Outdoor Poly Adirondack 38" Round Coffee Table

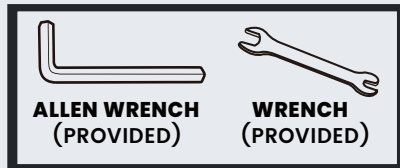
V1.0

## ! CARE & MAINTENANCE

Please keep this instruction for your future reference.

- Be careful when assembly, avoid hurting the top surface.
- Clean the table with lukewarm water, mild detergent & soft cloth.
- Firmly secure all bolts before use, do not use any part of this item as a step ladder.
- Reconfirm that all bolts, screws, and nuts are secure every 90 days.
- Do not use or store this item in the proximity of open flame or flammable/combustible chemicals.
- Be aware that some parts are heavy and have sharp edges.
- Do not overtighten screws. (Insert all screws before tighten screws.)
- Please do not exceed the weight limitations of this item.

## TOOLS REQUIRED



**TABLE**  
**330 LBS**  
**CAPACITY**

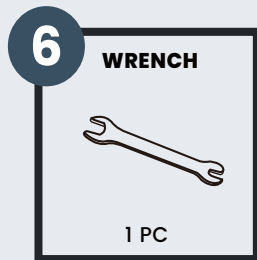
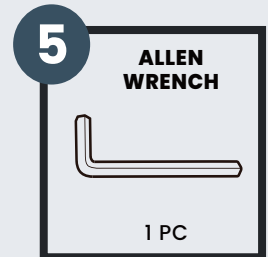
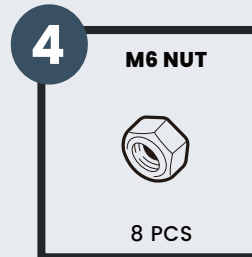
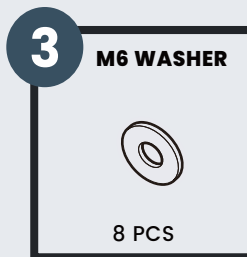
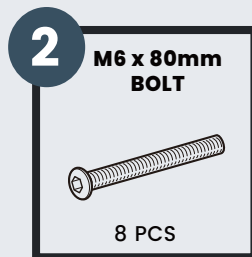
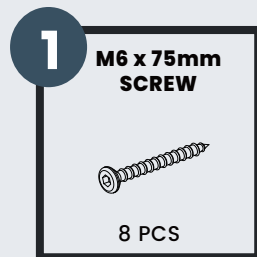


**1 PERSON**  
**ASSEMBLY**

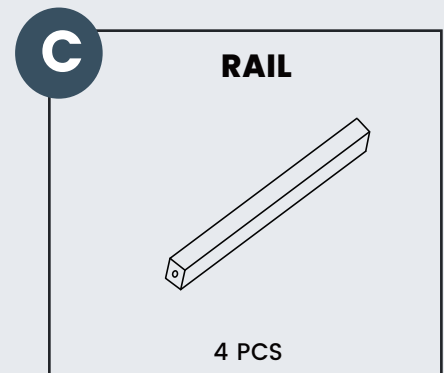
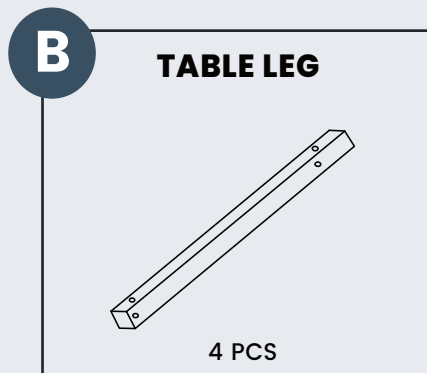
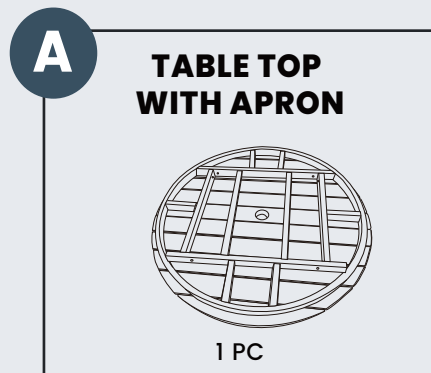


**UP TO 20 MIN.**  
**ASSEMBLY**

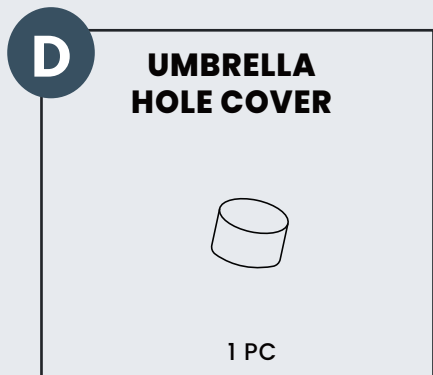
## HARDWARE



## PARTS

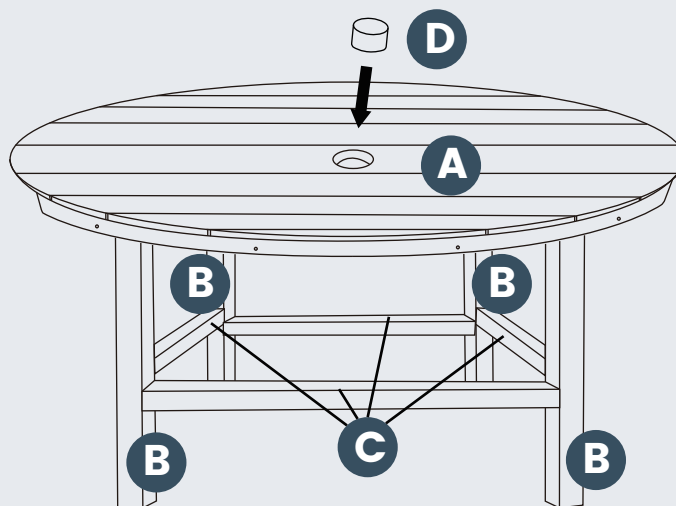


## PARTS



## PRODUCT ASSEMBLY - OVERALL VIEW

Look at the overall view of this table and learn the exact position of each part to be assembled.



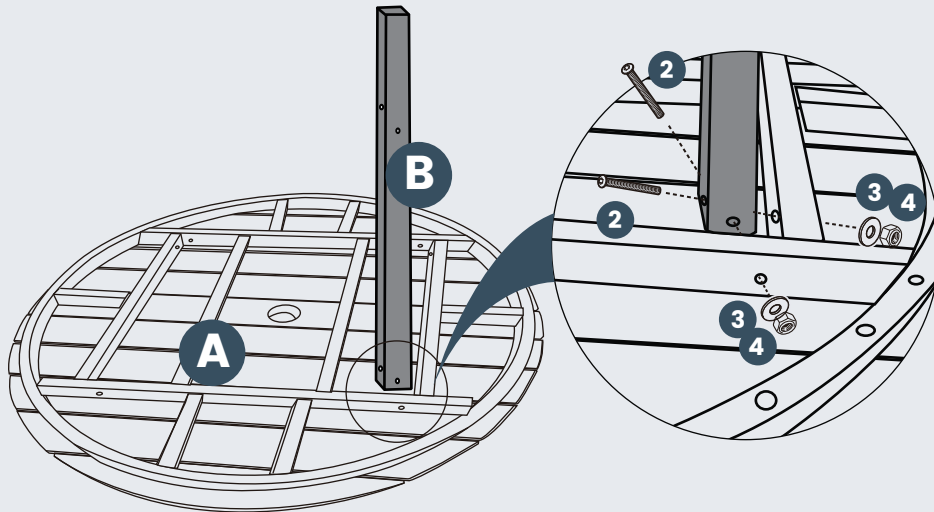
## PRODUCT ASSEMBLY

1

Place **Part A Table Top** upside down on soft surface like carpet to avoid damage. Place 1 pc of **Part B Table Leg** to apron of **Part A Table Top** as below.

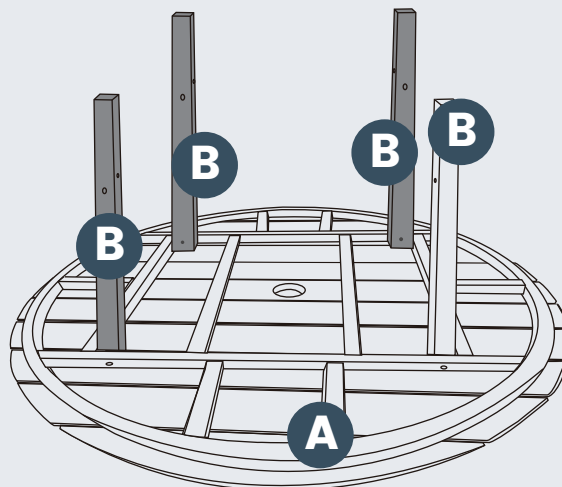
Attach this leg with 2 sets of **Hardware #2 Bolt, #3 Washer** and **#4 Nut**.

Pay attention to the different heights of base holes that meets the holes in the aprons.



2

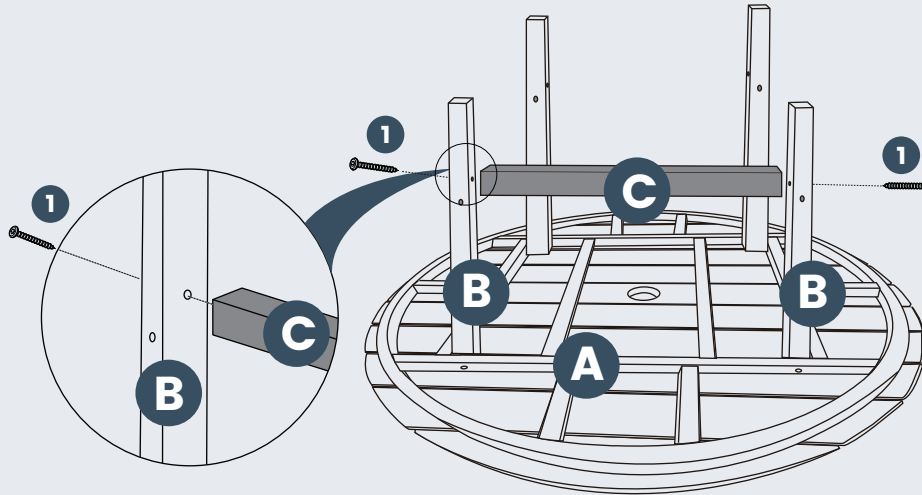
Do the same to assemble the other **Part B Table legs**.



## PRODUCT ASSEMBLY

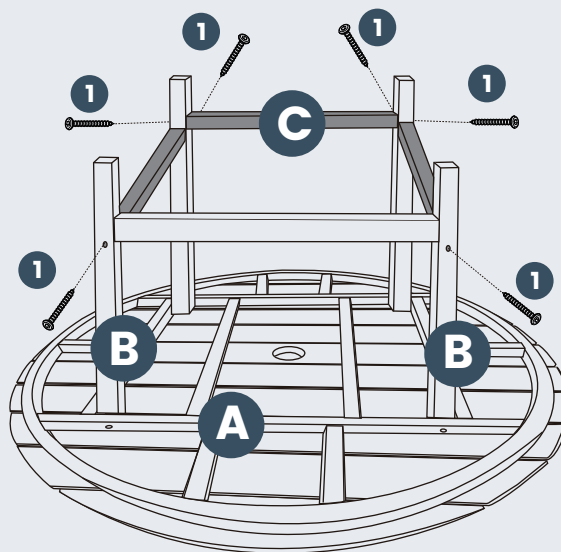
3

Attach **Part C Rail** between **Part B Table Legs** with 2 pcs of **Hardware #1 Screw**.



4

Do the same to attach the rest 3 pcs of **Part C Rails** to **Part B Table Legs** as below with 6 pcs of **Hardware #1 Screw**.

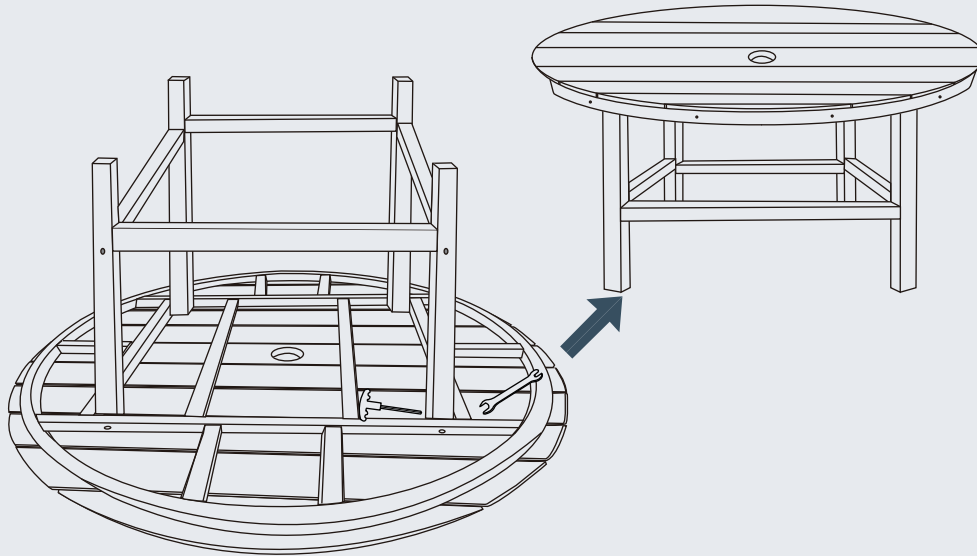


## PRODUCT ASSEMBLY

**5**

Tighten all the bolts and lock nuts as well as the screws again to ensure the steady of this table.

Remark: Please remove the umbrella hole cover when you insert the umbrella.



---

## CLEANING TIPS

**REGULAR CLEAN:** Use a mixture of warm water and mild soap. Gently scrub the surface with a soft bristle brush to remove any dirt or stains.

**QUICK CLEAN:** You can simply wipe down the furniture with a damp cloth.

Regular cleaning not only preserves the aesthetic appeal of your furniture, but also helps extend its lifespan.