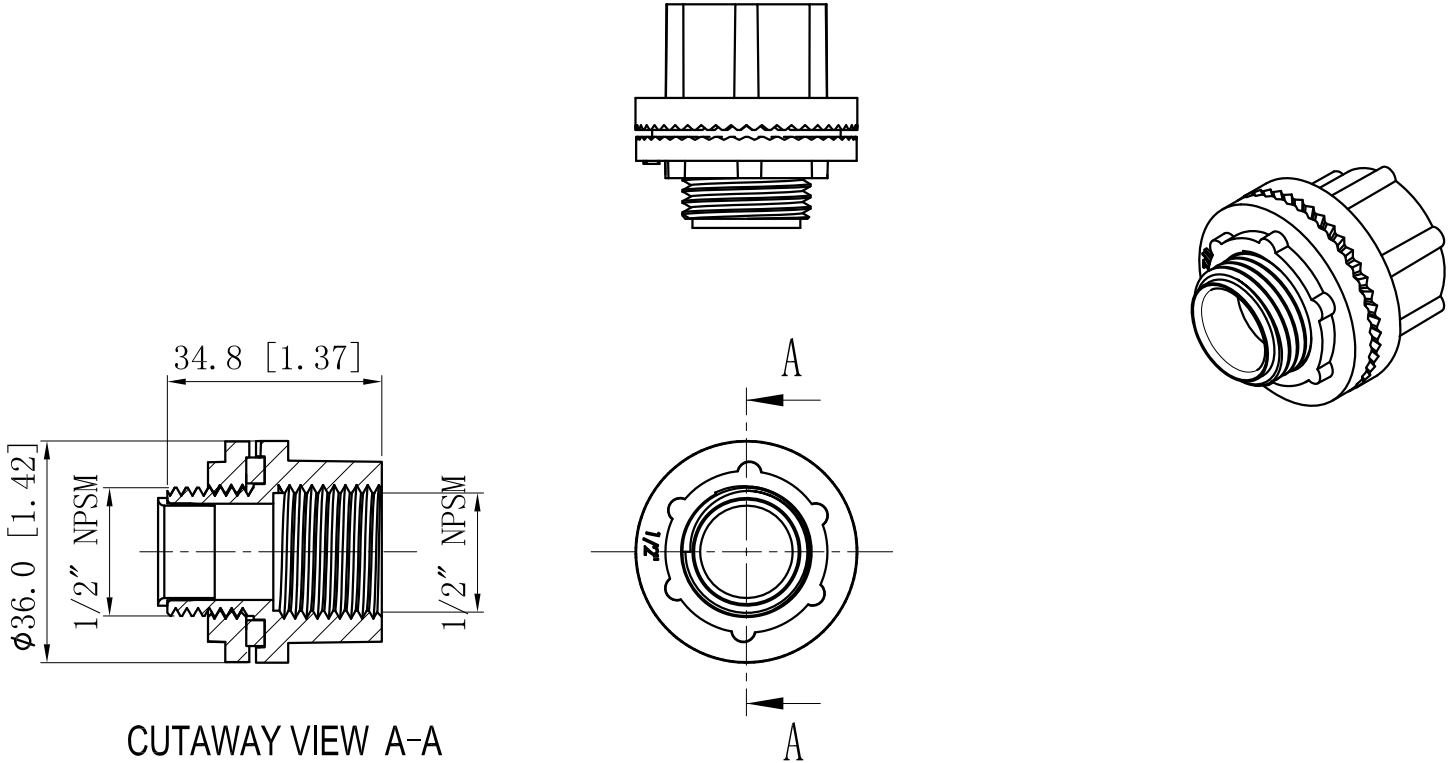


SIDES	BOTTOM
Material: 316 Stainless steel	



CUTAWAY VIEW A-A

This data sheet is for reference only .GARVIN INDUSTRIES reserves the right to make changes to the design without prior notice.

DESCRIPTION
TRADE REFERENCE TERMS

STANDARD PACKING
25 PCS

GARVIN INDUSTRIES		
TITLE WATERTIGHT HUB (INSULATED THROAT)		
SIZE A4	DWG NO. WH50-SS	REV
DATA SHEET		