

**BOSS**<sup>®</sup>  
AUDIO SYSTEMS



**BOSS**<sup>®</sup>  
AUDIO SYSTEMS



**MC720B** **USER'S MANUAL**  
**BLUETOOTH<sup>®</sup> | 4" (102 mm) WEATHER RATED**  
**CHROME SPEAKERS (1 PAIR) AND AMPLIFIER SYSTEM**  
FEATURING CLASS D AMPLIFIER



BOSS Audio Systems  
3451 Lunar Court • Oxnard, CA 93030  
[www.bossaudio.com](http://www.bossaudio.com)  
805-751-4853 Customer Service  
Tech Support: [www.bossaudio.com/support](http://www.bossaudio.com/support)



0720

The Bluetooth<sup>®</sup> word mark and logos are registered trademarks owned by Bluetooth SIG, Inc. and any use of such marks by BOSS Audio Systems is under license. Other trademarks and trade names are those of their respective owners.



## MC720B Motorcycle/UTV Amplified Speaker System

### Contents

|   |       |
|---|-------|
| Amplifier .....                               | 1 PC  |
| High-Performance, Weatherproof Speakers ..... | 2 PCS |
| Amplifier Mounting Screws .....               | 4 PCS |
| Mounting Hardware .....                       | 2 PCS |
| Rubber Mounting Shims .....                   | 4 PCS |
| Amplifier Mounting Hardware .....             | 8 PCS |
| Fuse .....                                    | 1 PC  |
| User's manual .....                           | 1 PC  |

### Features

Aux-In (3.5mm)  
Speaker Clamp Mounts  
Weatherproof Volume Control  
High-Impact, High Temperature Speaker Enclosures  
Weatherproof Speakers  
Bluetooth Audio Streaming

## MC720B Motorcycle/UTV Amplified Speaker System

### Specifications

|                            |                |
|----------------------------|----------------|
| Operation Voltage.....     | 10 ~ 16 V      |
| THD.....                   | <0.1%          |
| S/N.....                   | >85 dB         |
| Channel Separation .....   | >50 dB         |
| Frequency Response .....   | 50Hz - 15KHz   |
| Sensitivity.....           | >400mv         |
| Speaker Wires.....         | 4.6'           |
| Volume Control Wire.....   | 6.2'           |
| Audio Input Cable .....    | 1.9'           |
| Power Cable .....          | 6.2'           |
| Bracket Size Range .....   | 0.75" ~1.25"   |
| Fuse Rating .....          | 7.5A           |
| Amplifier dimensions ..... | 3.6"x2.3"x1.5" |

# MC720B Motorcycle/UTV Amplified Speaker System

## Installation

1. Screw the brackets to the bottom of the speakers.
2. Find a safe, ideal mounting location and fit the brackets over the chosen mounting bars.
3. Fasten the mounting screws after you review the safety of the mounting location.

## Wiring

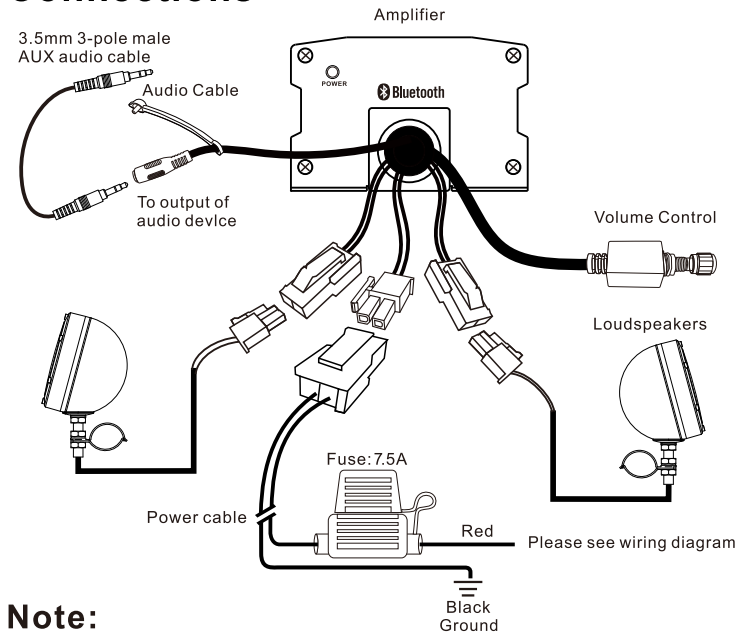
1. Be sure to run the wiring securely and far away from any moving components.
2. Connecting the power cable to the power source: You will need to connect the 12V red wire to a (fused 7.5 A) switched power source.
3. Use the 3.5mm stereo jack to connect to your entertainment source(MP3 player, etc).
4. Use your player device and wired remote volume controller to control your level of loudness.

## Bluetooth

To pair and connect your Bluetooth device to the MC720B  
Enter Settings > Bluetooth Menu > Search > "Boss Audio MC720B" >If Prompted to enter a passcode enter : "0000".

# MC720B Motorcycle/UTV Amplified Speaker System

## Connections



## Note:

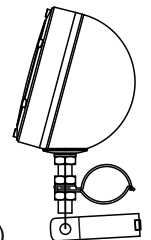
1. AUX 3.5 female input connector for output of other audio device like mobile phone, MP3, Ipad and so on.
2. Should use standard 3.5mm 3-pole male plug AUX cable (not included).
3. Stop BT connection first when using the 3.5mm AUX input as an audio source input.

## Amplifier and Loudspeaker Mounting

### Installation Reminder

The components and wiring should not be installed around any moving parts, keep away from ignition parts, fuel lines, or any hot exhaust.

Speakers should not be installed where they might inhibit safety features on the vehicle (i.e. lights, horns, brake levers, etc...).





## Power Supply Connection

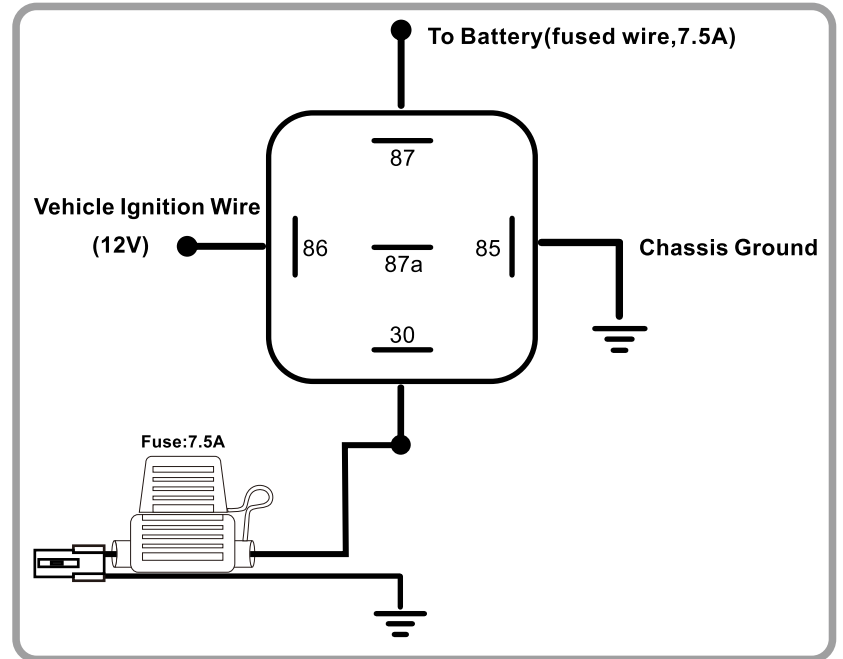
### Option A

Connected to Battery through a  
12 VDC SPDT Relay  
(Single Pole Double Throw)  
NOT INCLUDED, SOLD SEPARATELY

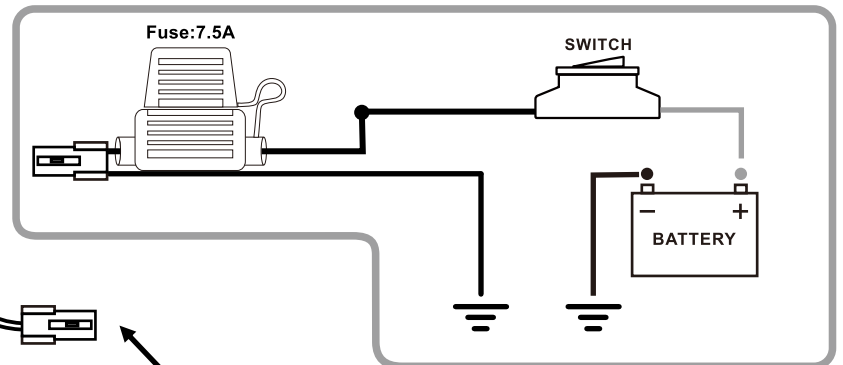
### Option B

Connected to Battery through a  
Waterproof Switch (250V AC/6A)  
NOT INCLUDED, SOLD SEPARATELY

### Option A (Relay)



### Option B (Switch)



Power Supply Cable

Speakers Plugs