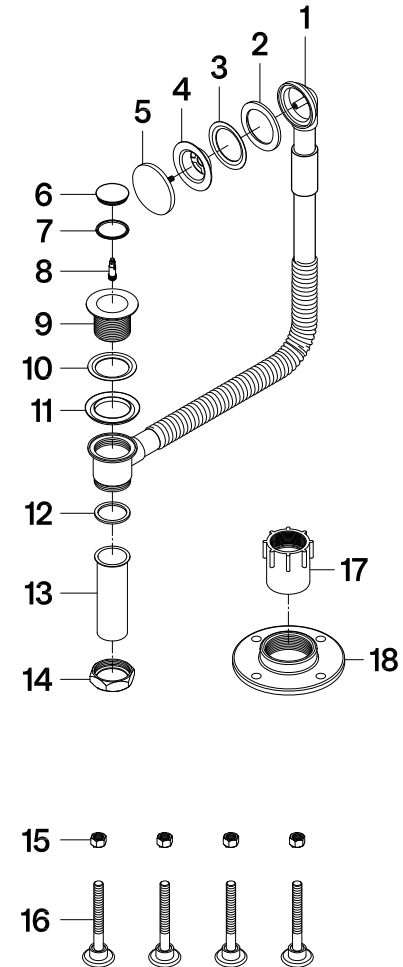
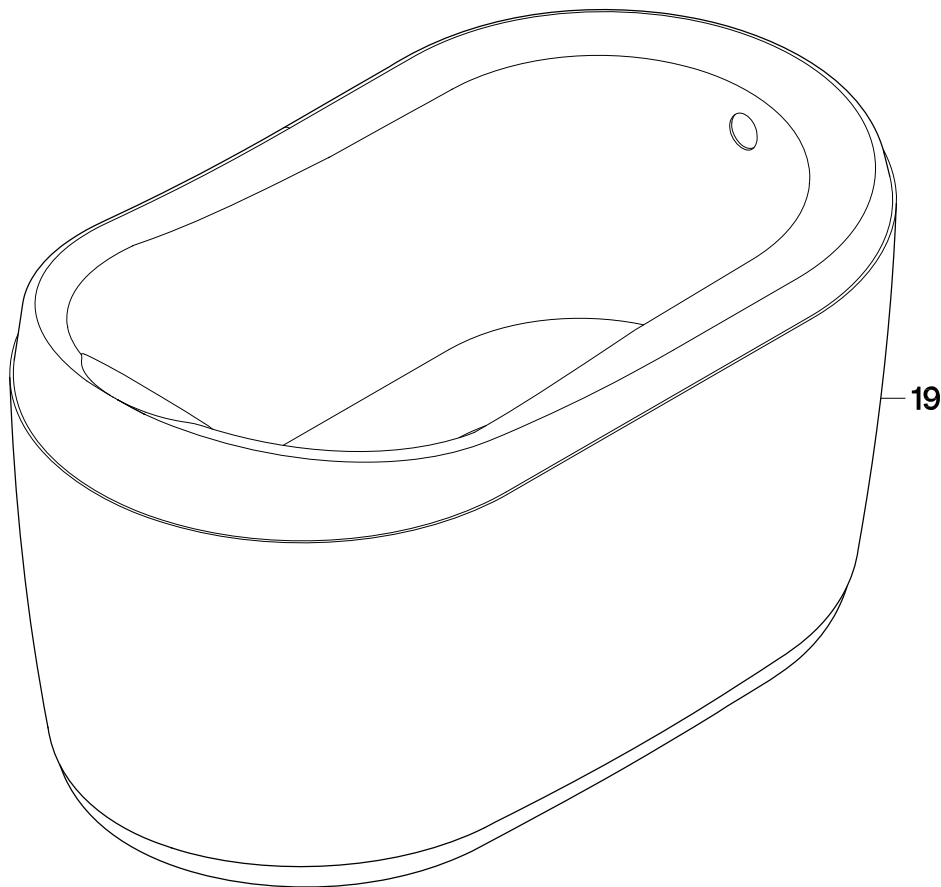


# VTRS523030

## 52" Acrylic Freestanding Tub with Drain & Integrated Seat



Part #	QTY
1.	1
2.	1
3.	1
4.	1
5.	1
6.	1
7.	1
8.	1
9.	1
10.	1
11.	1
12.	1
13.	1
14.	1
15.	4
16.	4
17.	1
18.	1
19.	1