

# ASSEMBLY INSTRUCTIONS

## 43220 LEG DINING TABLE

Thank you for purchasing this quality product. Be sure to check all packing material carefully for small parts, which may have come loose inside the carton during shipment. Identify and count all parts and compare with the Hardware list below.

Diagram 1

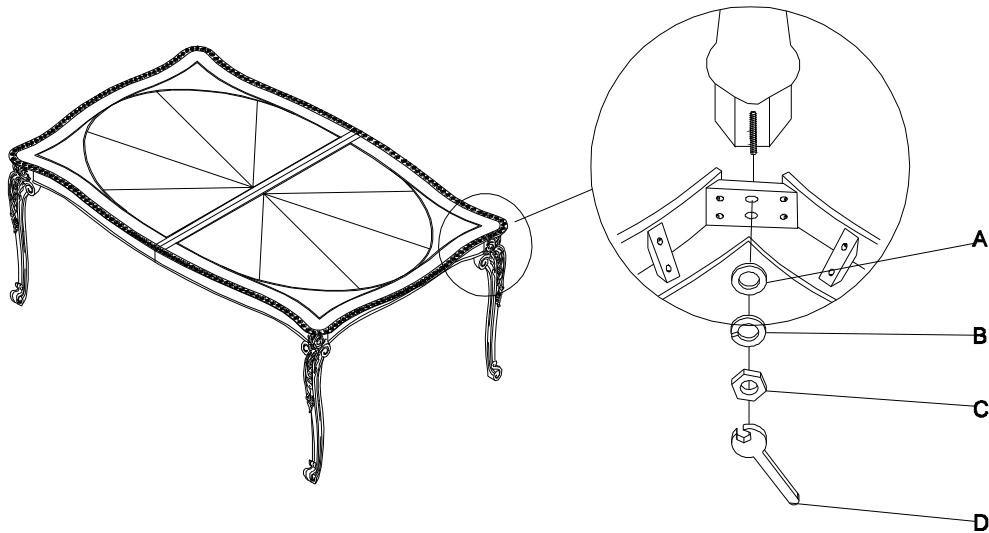
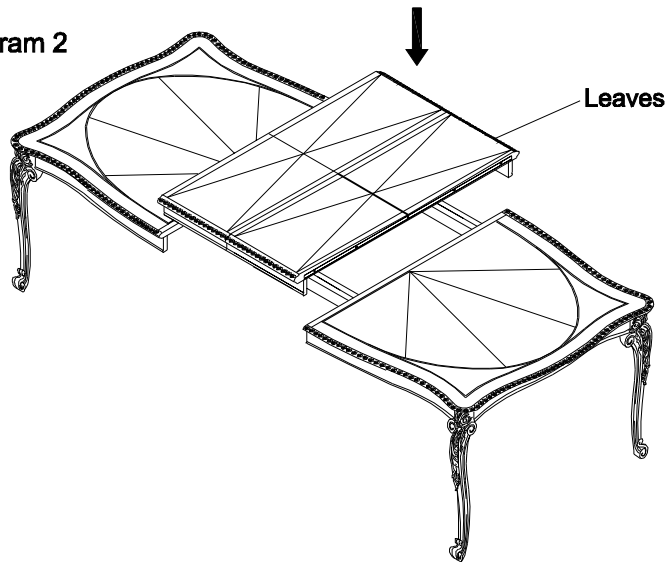







Diagram 2



NO	Hardware List			Qty
A		Nut	5/16"	8
B		Lock Washer	5/16"	8
C		Flat Washer	5/16"	8
D		Wrench	5/16"	1
G		Bag for Leaves Storage		2

### STEPS:

- 1) Turn the table top face down on a smooth, soft surface. Attach leg to the table top with flat washers plus lock washers and nuts as shown in **diagram 1**.
  - 2) Turn the assembled table to the upright position. Then place the leaves in the table as shown in **diagram 2**.
  - 3) Specially designed table leaf bags are provided to you for the protection and storage of the table leaves.
- Note: It is recommended that at least two people work together during the assembly process.

**Cleaning instruction: Clean the table surface with furniture polish and soft cloth.**