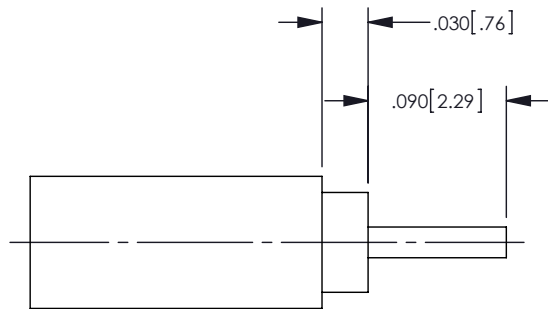
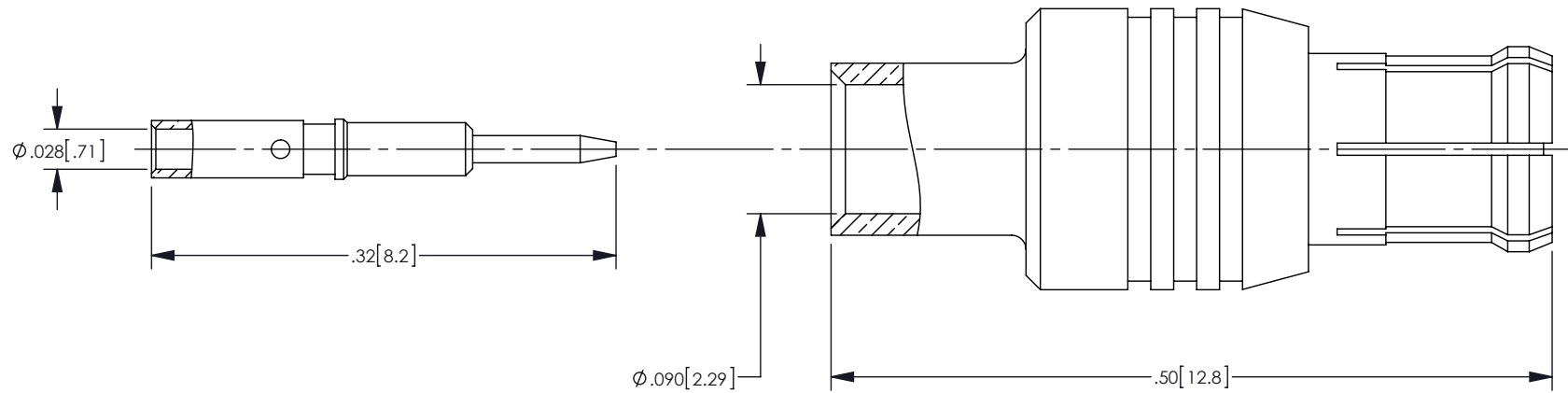


NOTES: UNLESS OTHERWISE SPECIFIED

1. DESIGNED FOR USE WITH $\varnothing .085$ SEMI-RIGID OR EQUIVALENT CABLE.
2. MATERIAL SPECIFICATIONS:
 OUTER CONTACT: COPPER ALLOY.
 ALL OTHER METAL PARTS: BRASS PER ASTM B16.
 INSULATOR: TEFLON PER ASTM D1710.
3. FINISH SPECIFICATIONS:
 CONTACT: .000030 MIN GOLD PER ASTM B488 OVER .000080 MIN NICKEL PER AMS-QQ-N-290 (RoHS).
 ALL OTHER METAL PARTS: .000015 MIN GOLD PER ASTM B488 OVER .000080 MIN NICKEL PER AMS-QQ-N-290 (RoHS).
4. ELECTRICAL SPECIFICATIONS:
 IMPEDANCE: 50 OHMS.
 FREQUENCY RANGE: DC-6GHz.
5. INTERFACE PER CECC 22220.
6. FOR CABLING SEE CAP 5-11 WITH TRIM DIMENSIONS SHOWN BELOW.
7. CONTACT SHIPPED LOOSE.

REV	DESCRIPTION	BY DATE	APPD
E	REDRAWN AND REVISED PER ER36033	DM 11/28/11	LL



RECOMMENDED CABLE TRIM DIMENSION

CATALOG P/N: 450-500-0850H

PER ASME Y14.5M-1994
 UNLESS OTHERWISE SPECIFIED:
 DIMENSIONS ARE IN INCHES [MM]
 TOLERANCES:
 DECIMAL: .XX [X.X] $\pm .01$ [0.3]
 .XXX [X.XX] $\pm .005$ [0.13]
 .XXXX [X.XXX] $\pm .XXXX$
 ANGLES: $\pm 2^\circ$ SCALE: 8:1

KINGS
 by WINCHESTER Winchester Electronics Corporation
 62 Barnes Industrial Road North
 Wallingford, Connecticut 06492

CUSTOMER SALES DRAWING		THIRD ANGLE	
DRAWN	DATE	APPROVED	DATE
KJT	08/05/97	JMC	08/05/97
APPROVED	DATE	APPROVED	DATE
AT	08/05/97	AT	08/05/97

SD450-500-0850H		SHT	OF	REV
A		1	1	E