

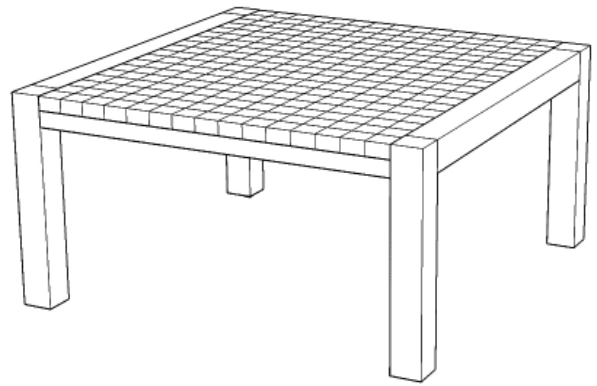
88 5601 21 Coffee Table

IMPORTANT NOTE

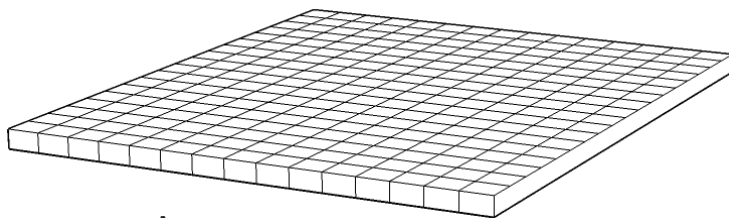
Carefully remove all the parts from the carton and put them individually on a soft cloth to prevent scratches or other damages occurring to the parts.

We have taken great care in the design of this product and request that you carefully and strictly follow our assembly instructions to ensure a completed product as it was designed.

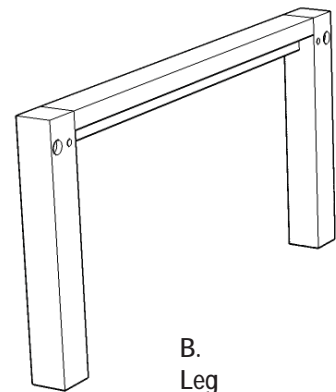
Home
Styles



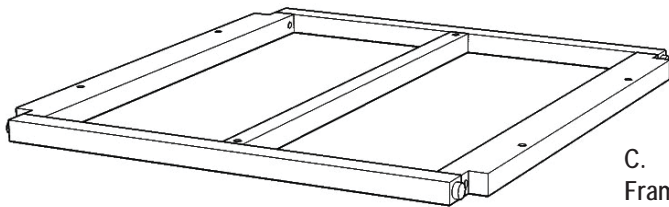
Part List



A.
Top
1 Pc.



B.
Leg
2 Pcs.



C.
Frame
1 Pc.

Hardware List



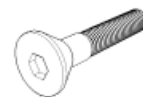
Hex Wrench
1 Pc.



M8x50
Head Cap Bolt (short)
4 Pcs.(+1 extra)



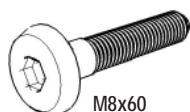
Flat Washer
4 Pcs.(+1 extra)



M6x15
Tapered Head Cap Bolt
4 Pcs.(+1 extra)



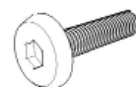
Small Hex Wrench
1 Pc.



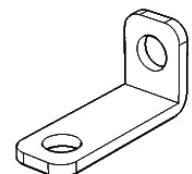
M8x60
Head Cap Bolt (long)
4 Pcs.(+1 extra)



Spring Washer
4 Pcs.(+1 extra)



M6x40
Head Cap Bolt (small)
2 Pcs.(+1 extra)



Connector
4 Pcs.

Tools required for assembly : Phillips screwdriver

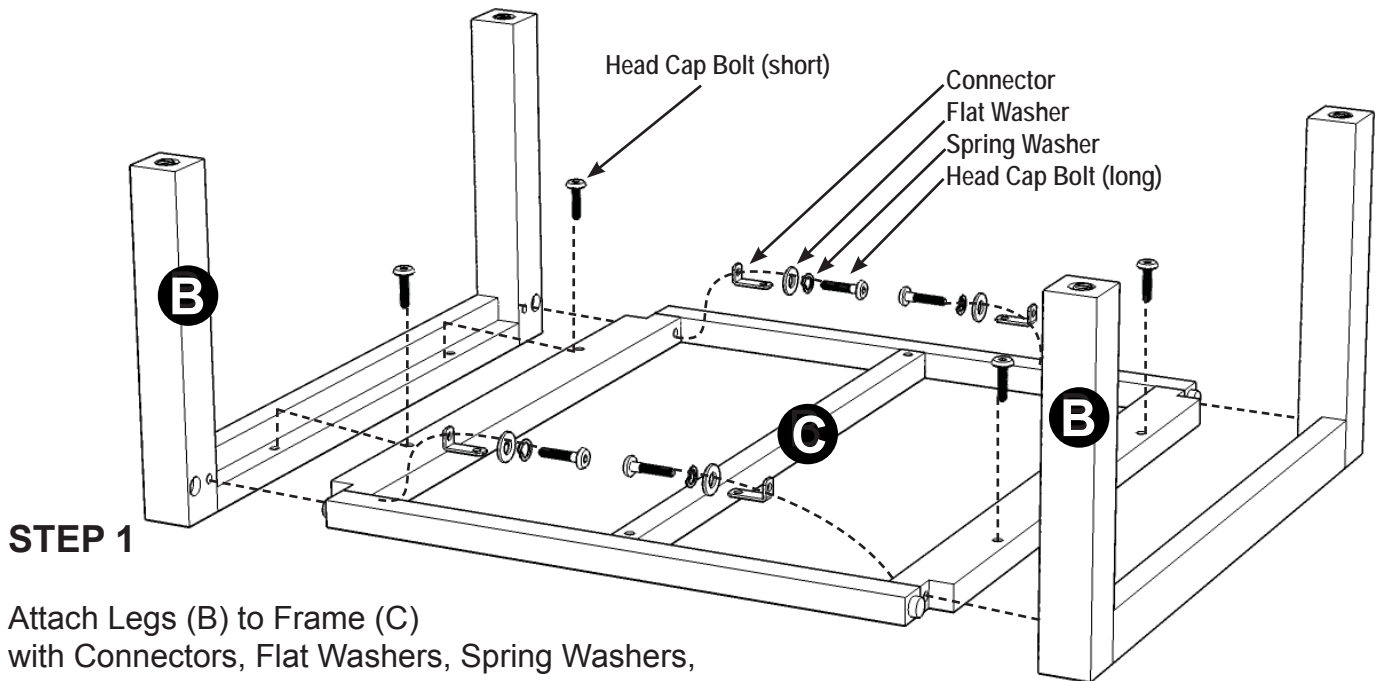
Tools recommended for assembly : Level

Home Styles Consumer Assistance: www.homestyles-furniture.com,
servicedesk@homestyles-furniture.com, 888-680-7460, 877-831-0319

Assembly Instructions 2/2

IMPORTANT

- * Do not tighten up all the Head Cap Bolts until each part is properly assembled.
- * You should keep Hex Wrench in a safe place as you may need to tighten up the Head Cap Bolts in the future.
- * Use a soft cloth between these parts and the floor.
- * After assembly, item must be level to work properly. Use the included adjustable levelers to level.



STEP 1

Attach Legs (B) to Frame (C) with Connectors, Flat Washers, Spring Washers, Head Cap Bolts (long) and Head Cap Bolts (short). (See Figure 1)

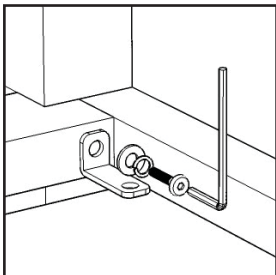


Figure 1

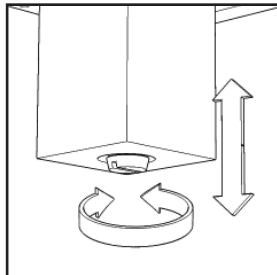


Figure 2

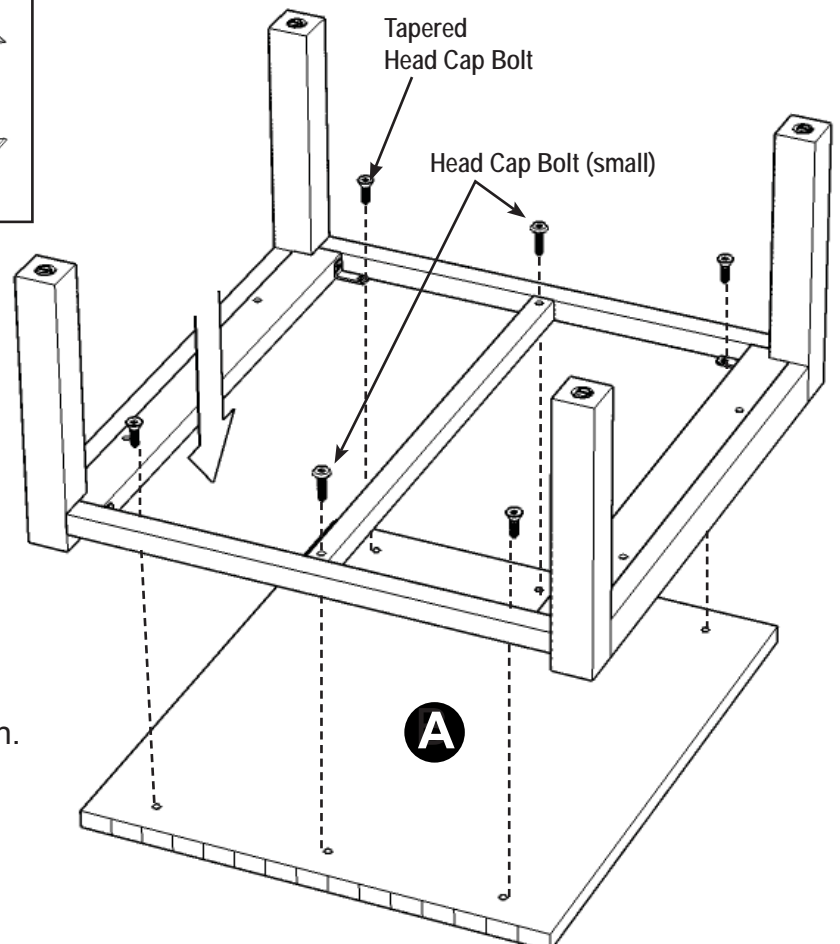
STEP 2

Place Top (A) upside down on a soft cloth.

Attach Top (A) to unit with Head Cap Bolts (small) and Tapered Head Cap Bolts.

Turn the unit over to its' upright position.

To level the unit, adjust the adjustable levelers on the bottom of the legs. (See Figure 2)



Note : Unit must be level to work properly.