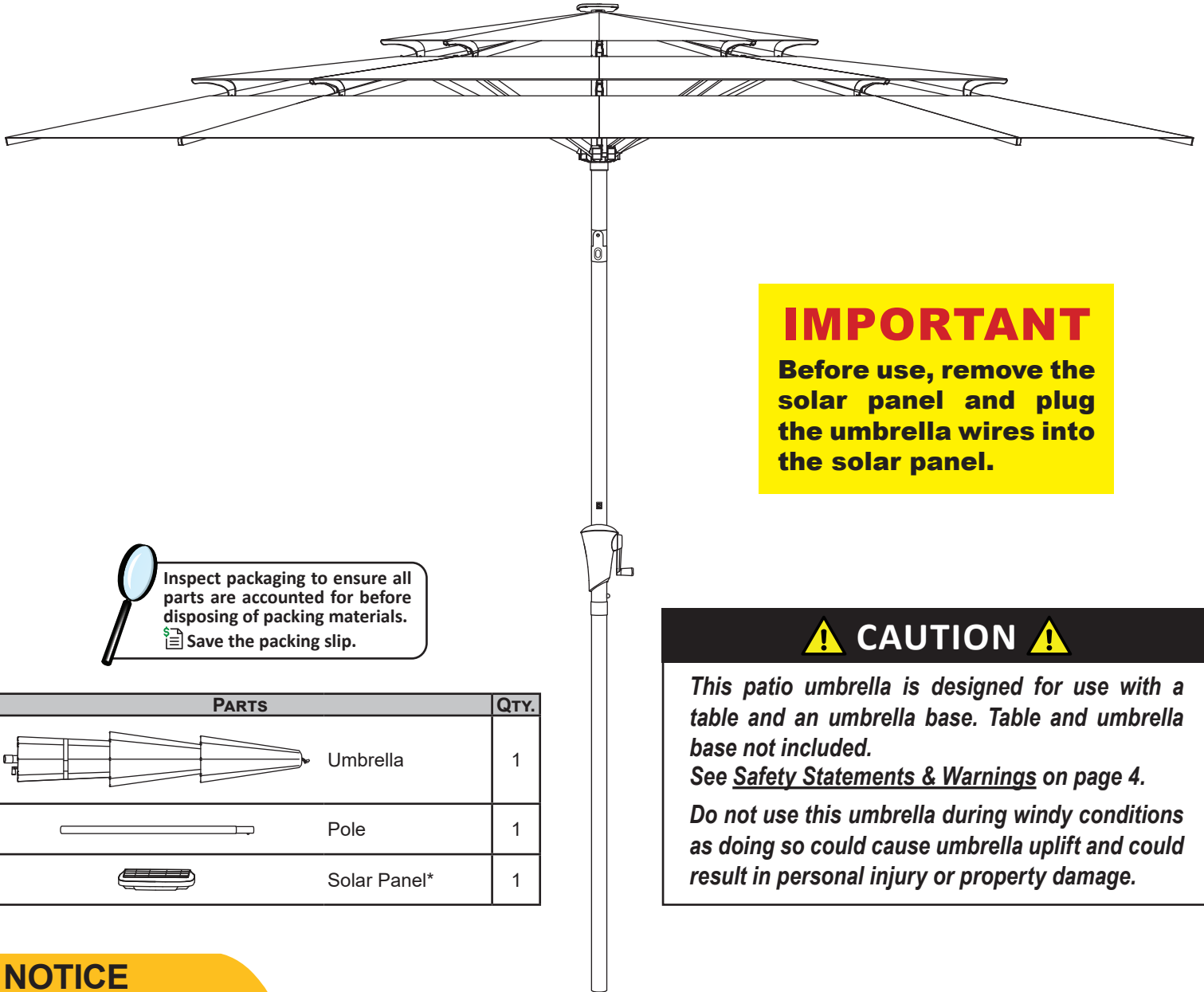




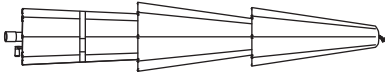


3-TIER SOLAR PATIO UMBRELLA ECG-1201

Review all assembly and care information before using this product. Save this manual for future reference.
Assemble components on a soft, clean surface to avoid damaging the canopy or scratching the powder-coated finish.



IMPORTANT
Before use, remove the solar panel and plug the umbrella wires into the solar panel.

 Inspect packaging to ensure all parts are accounted for before disposing of packing materials.
 Save the packing slip.

PARTS		QTY.
	Umbrella	1
	Pole	1
	Solar Panel*	1

! CAUTION !
This patio umbrella is designed for use with a table and an umbrella base. Table and umbrella base not included.
See Safety Statements & Warnings on page 4.
Do not use this umbrella during windy conditions as doing so could cause umbrella uplift and could result in personal injury or property damage.

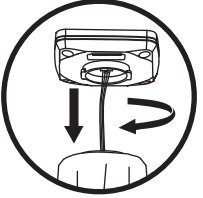
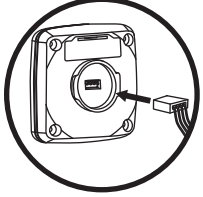
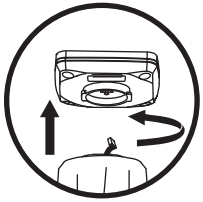
NOTICE

- Always use this umbrella with a table and an umbrella base.
- Do not use this umbrella in inclement weather such as strong wind, thunderstorms, heavy rain, or snow.
- Failure to follow recommended use and care may result in damage and void the product warranty.

! WARNING: Manufacturer and seller expressly disclaim any and all liability from personal injury, property damage or loss, whether direct or indirect, or incidental, resulting from the incorrect attachment, improper use, inadequate maintenance, or neglect of this product.

SETUP & OPERATION

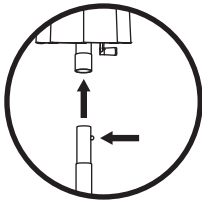
ASSEMBLY



Remove the solar panel from the umbrella.

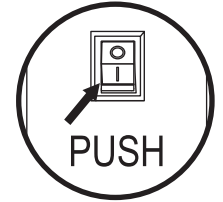
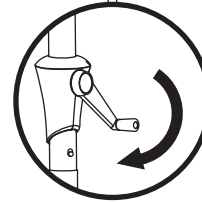
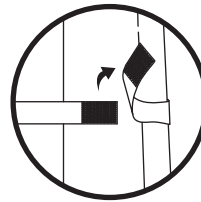
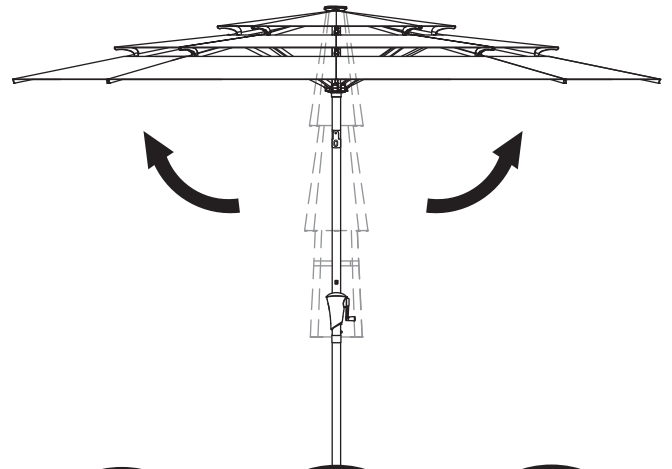
Firmly, but carefully, connect the plug on the top of the umbrella to the solar panel. Do not pull on wires as doing so may permanently damage the connections.

Ensuring the wires do not get pinched, align the solar panel with the umbrella and twist to lock it in place.



Push the button spring clip on the pole and align it with the hole on the umbrella. You will hear a 'snap' when the pieces are connected.

OPEN



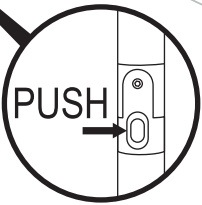
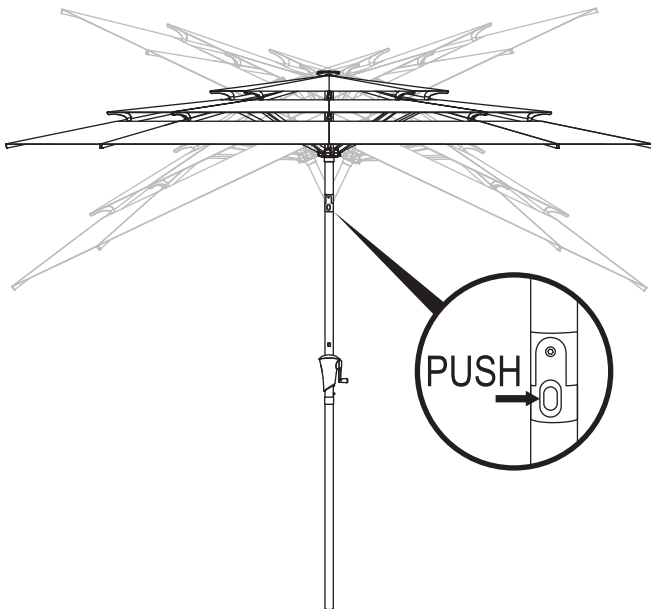
Release the tie on the umbrella canopy.

Turn the crank clockwise to open the canopy.

Press the light switch above the crank handle to turn the solar lights on/off.

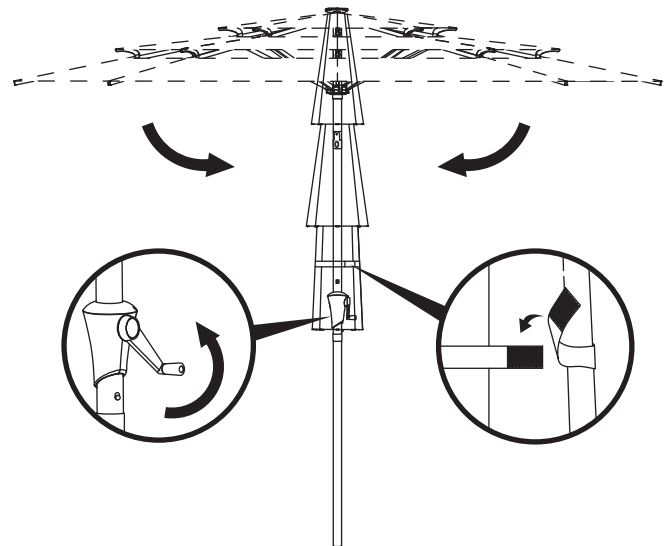
TIP: Before first use, ensure the solar panel is fully charged.

TILT



To tilt the umbrella canopy, press the tilt button and push the top of the umbrella canopy to the side.

CLOSE



Ensure the umbrella is fully straight and the tilt function is disengaged.

Turn the crank counterclockwise to lower the canopy. Secure the fabric with the included strap to prevent uplift.

CAUTION:

To prevent umbrella uplift, stabilize the umbrella using a table and an umbrella stand.
Table and umbrella stand not included.

OPENING & CLOSING THE UMBRELLA

When opening, make sure the umbrella opens freely. If there is resistance while opening, **DO NOT FORCE THE UMBRELLA OPEN** as doing so may damage the umbrella. Check to see if the umbrella ribs are locked together; gently pull the ribs apart to assist the opening process.

When closed, pull the loose canopy fabric from between each rib to prevent it from getting jammed or trapped between the ribs and umbrella structure. Trapped fabric may result in unnecessary wear and holes in the fabric. Secure the fabric with the attached strap.

CHARGING THE SOLAR PANEL

- Remove the protective film from the solar panel.
- For optimal functionality, the batteries must be fully charged before the first use. Charge the solar panel in full, direct sunlight for at least 8 hours. Failure to charge the batteries will result in premature dimming of the lights. **MAKE SURE THE LIGHT SWITCH ON THE UMBRELLA POLE IS IN THE 'OFF' POSITION WHEN CHARGING THE SOLAR PANEL.**
- Please note that batteries can discharge if they are not used or left uncharged for a long period of time.
- For everyday normal use, only turn the light switch on at nighttime when the lights are needed. To conserve battery power, turn the switch off when lights are not in use. **THE LIGHT SWITCH MUST BE IN THE 'OFF' POSITION DURING THE DAYTIME FOR THE SOLAR PANEL TO RECHARGE THE BATTERIES.**

SUN EXPOSURE & STORAGE

All fabrics will eventually fade from sun exposure. Maintain the fabric color by covering it with an umbrella cover or storing it indoors when not in use. Always store indoors during the winter, extreme weather conditions and when it will not be used for an extended period of time.

CLEANING **HAND-WASH ONLY** **DO NOT USE BLEACH** **DO NOT USE A PRESSURE WASHER**

Do not remove the canopy from the frame. Never use bleach, detergents, harsh chemicals or abrasive materials to clean the canopy or the frame.

Brush or vacuum loose dirt from the umbrella canopy. Wiping down the canopy and frame with a soft, damp cloth and warm water is usually sufficient.

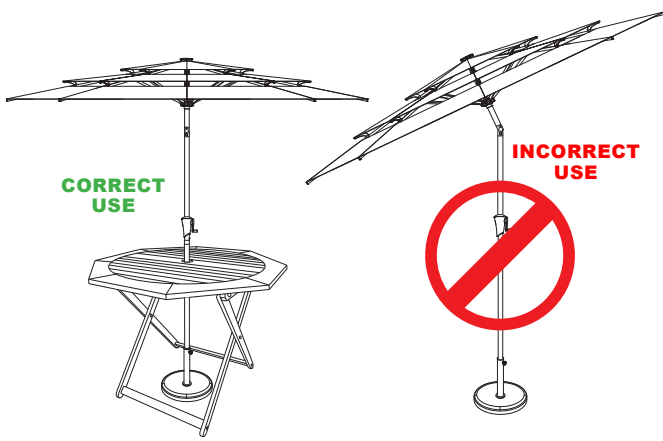
For stubborn stains, clean with a soft-bristle brush, mild soap and warm water. Rinse thoroughly with a hose sprayer, ensuring all soap residue is removed; leaving soap residue will attract dust/dirt.

Thoroughly dry the frame with a soft cloth to prevent water spotting and rust. Open the umbrella canopy and allow it thoroughly to air-dry. Closing the canopy before it is completely dry will promote mold and mildew growth, and could stretch the fabric.

WARNING:

Manufacturer and seller expressly disclaim any and all liability from personal injury, property damage or loss, whether direct or indirect, or incidental, resulting from the incorrect attachment, improper use, inadequate maintenance, or neglect of this product.

! SAFETY STATEMENTS & WARNINGS !



- Do not use the umbrella without a table and an umbrella base (not included).
- Do not use the umbrella in inclement weather such as strong wind, thunderstorms, rain, hail or snow.
- Never use the umbrella during windy conditions.
- Always close the umbrella and secure the tie straps around the canopy when the umbrella is not in use.
- Store the umbrella indoors during extreme weather conditions and winter.
- Do not iron the umbrella fabric.
- Do not allow children to assemble or operate the umbrella.
- The umbrella pole should never be left in standing water.

Any modification to the product or failure to follow recommended care will void the product warranty.

If you experience issues with assembly or the product was damaged during shipping, please contact our customer service team through one of the methods mentioned at the top of page 1. Please have the item number and order information ready to expedite response time.

! WARNING:

Manufacturer and seller expressly disclaim any and all liability from personal injury, property damage or loss, whether direct or indirect, or incidental, resulting from the incorrect attachment, improper use, inadequate maintenance, or neglect of this product.