

DS-2CE56F7T-VPIT

3 MP WDR Vandal-Resistant EXIR Outdoor Dome Camera

- 1/3" (3 MP) High-Performance CMOS
- Analog HD Output
- True Day/Night
- OSD Menu, DNR, Smart IR
- True WDR, Up to 120 dB
- EXIR IR, 66 ft (20 m) Range
- IP66 Weatherproof and Vandal Resistant
- Up-the-Coax (HIKVISION-C)



The Hikvision DS-2CE56F7T-VPIT 3 MP WDR Vandal-Resistant EXIR Dome Camera provides high definition analog output. TurboHD means that the analog signal can be sent over existing RG6 coaxial cable, eliminating the need to run new cables for high definition video.

EXIR is Hikvision's proprietary IR extended range technology, which has a range of 66 feet (20 meters). Smart IR varies IR output based on the zoom setting.

The 2.8 mm, 3.6 mm, and 6 mm lens options allow for the correct angle of view to fit any situation. True 120 dB WDR (Wide Dynamic Range) ensures images will be optimal, no matter what the lighting conditions.

This camera also features a range of Smart functions, including line crossing, intrusion, and region entrance and exit, benefitting users with great improvements on security efficiency and, more importantly, with key events and objects being recorded for further forensic needs.

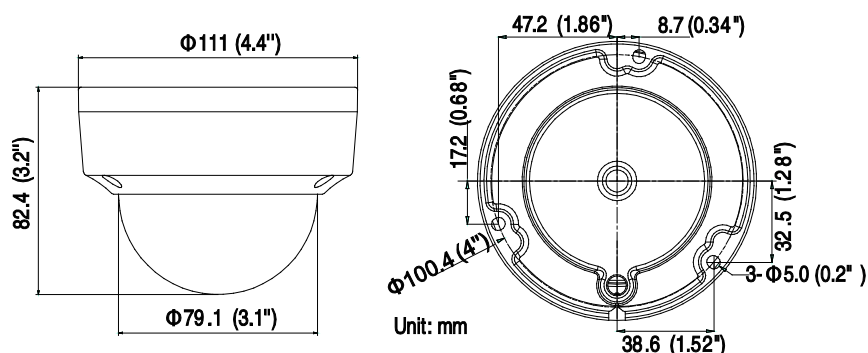
It is an outdoor IP66 camera that supports a wide temperature range.

Available Models: DS-2CE56F7T-VPIT



| DS-2CE56F7T-VPIT | |
|----------------------|---------------------------------------------------------------------------|
| Camera | |
| Image Sensor | 1/3" (3 MP) CMOS image sensor |
| Effective Pixels | 2052 x 1536 |
| Minimum Illumination | 0.01 lux @ f/1.2, AGC on, 0 lux with IR |
| Shutter Speed | 1/25 (1/30)s to 1/50,000s |
| Lens | 2.8 mm, 3.6 mm, 6 mm @ f/1.2 options |
| Angle of view | 84° (2.8 mm), 67.8° (3.6 mm), 44.6° (6 mm) |
| Lens Mount | M12 |
| Day/Night | ICR |
| 3-Axis Positioning | Pan: 0° to 340°; tilt: 0° to 75°; rotate: 0° to 355° |
| Synchronization | Internal synchronization |
| WDR | 120 dB |
| Video Frame Rate | 1920 × 1536 @ 18 fps (PAL/NTSC) |
| HD Video Output | 1 analog HD-TVI output |
| S/N Ratio | >62 dB |
| Menu | |
| AGC | Supported |
| D/N Mode | Color/BW/Smart |
| White Balance | ATW/MWB |
| BLC | Supported |
| Functions | Wide Dynamic Range, digital noise reduction, mirror, Smart IR |
| General | |
| Operating Conditions | -40° F to 140° F (-40° C to 60° C), humidity 90% or less (non-condensing) |
| Power Supply | 12 VDC ±15% |
| Power Consumption | Maximum 5 W |
| Protection Level | IP66 |
| IR Range | Up to 66 ft (20 m) |
| Impact Protection | IK10 |
| Communication | Up-the-Coax, protocol: HIKVISION-C (HD-TVI output) |
| Dimensions | φ0.43" × 3.25" (φ111 mm × 82.5 mm) |
| Weight (approximate) | 0.77 lb (350 g) |

Dimensions



Accessories

| | | | | | | |
|-------------------------------------------------------------------------------------|-------------------------------------------------------------------------------------|-------------------------------------------------------------------------------------|---------------------------------------------------------------------------------------|---------------------------------------------------------------------------------------|---------------------------------------------------------------------------------------|---------------------------------------------------------------------------------------|
|  |  |  |  |  |  |  |
| PC110T Pendant Cap | AB110 Angled Base | CPM Ceiling Pendant Mount | CB110 Conduit Base | WM110 Wall Mount | DS-1H18 Video Balun | X41T Video Tester |