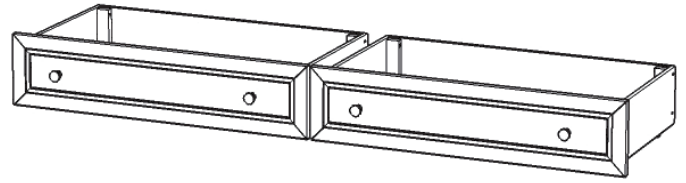
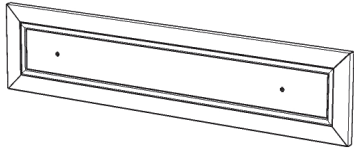


Bunk Bed Drawers**IMPORTANT**

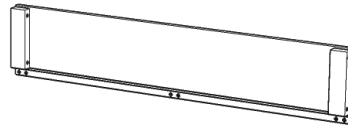
Carefully remove all the parts from the carton and place them individually on a soft cloth to prevent scratches or other damage.

Carefully and strictly follow these assembly instructions to ensure a completed product as designed.

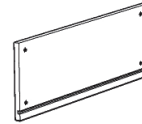
Do not use power tools above 8 volts to assemble.

**Part List**

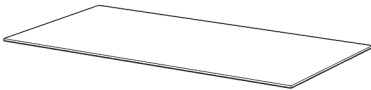
Y1.
Drawer Front
2 pcs.



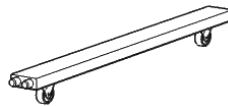
Y2.
Drawer Back
2 pcs.



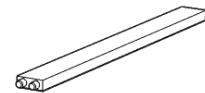
Y3.
Drawer Side
4 pcs.



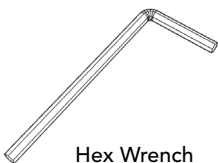
Y4.
Drawer Bottom
2 pcs.



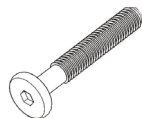
Y5.
Drawer Support
4 pcs.



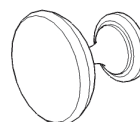
Y6.
Drawer Support
2 pcs.

Hardware List

Hex Wrench
1 pc.



M6x40
Head Cap Bolt
16 pcs. (+1 extra)



Knob (30mm)
4 pcs.



M4x1"
Machine Screw
4 pcs.

Tool(s) required for assembly: Phillips screwdriver

Home Styles Customer Service: www.homestyles-furniture.com,
servicedesk@homestyles-furniture.com, 888-680-7460, 877-831-0319

Assembly Instructions 2/2

STEP 1

Attach Drawer Sides (Y3) to Drawer Front (Y1) with Head Cap Bolts.
(See Figure 1)

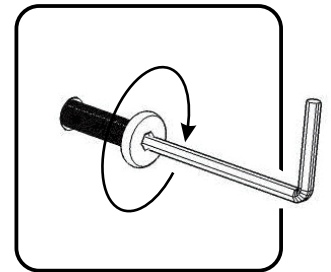
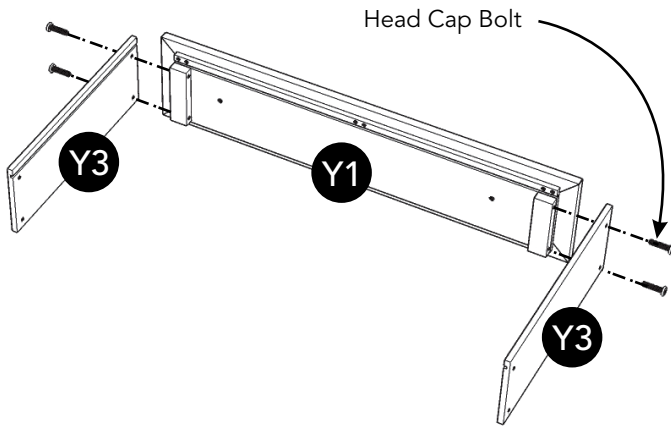
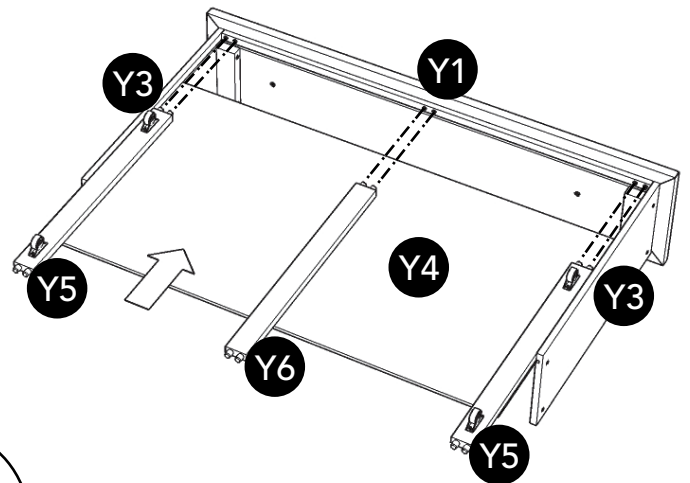


Figure 1

STEP 2

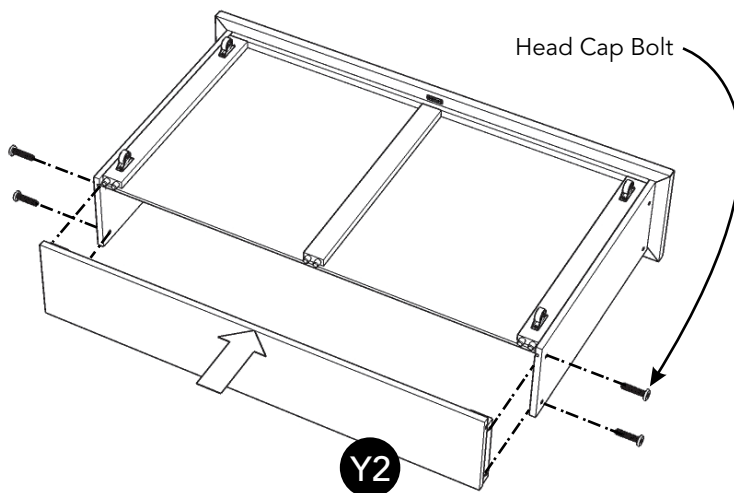
Slide Drawer Bottom (Y4) into grooves in Drawer Sides (Y3) until it meets Drawer Front (Y1).

Attach Drawer Supports (Y5) and (Y6) to unit.



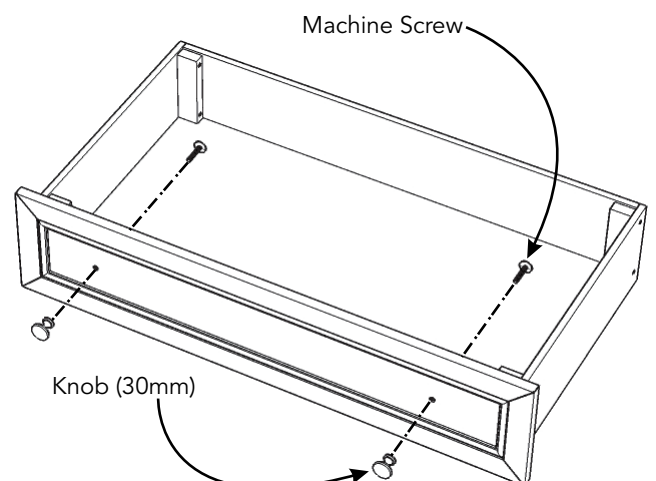
STEP 3

Attach Drawer Back (Y2) to unit with Head Cap Bolts.



STEP 4

Attach Knobs (30mm) to unit with Machine Screws.



STEP 5

Slide Drawers into position under Bunk Bed.

CARE INSTRUCTIONS

NEVER

allow liquids to remain on furniture.
Absorption causes parts to warp
and split and finishes to delaminate.

NEVER

use glass cleaners on
finished furniture. Ammonia
chemically attacks the finish.



Do not use power tools
above 8 volts to assemble.

**PREVENT
CRACKING**



Do not place
in direct sunlight.

**PREVENT
FADING**



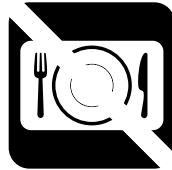
Do not write
directly on surface.

**PREVENT
MARKING**



Do not place hot
objects on surface.

**PREVENT
FINISH DAMAGE**



Do not use rubber
based placemats.

**PREVENT
DISCOLORING**



Do not use commercial
waxes and polishes.

**PREVENT
YELLOWING**

CLEAN

with a soft cloth moistened
in lukewarm soap and water.
Buff with a dry clean cloth.



Home Styles will provide replacements free of charge for missing or damaged hardware or parts within 30 days of purchase. Digital images of the defective parts may be required. If the product was not purchased from an authorized retail affiliate, Home Styles is under no obligation to provide replacement parts. Parts are not available for fully assembled items nor are parts available for sale. Replacements for missing or damaged hardware or parts may be requested at:

www.homestyles-furniture.com/customer-service/replacement-parts

Home Styles Customer Service: www.homestyles-furniture.com,
servicedesk@homestyles-furniture.com, 888-680-7460, 877-831-0319