

91532

INSTALLATION INSTRUCTIONS

Please read carefully and save these instructions as you may need them a later date.

CAUTION

WARNING: Risk of Fire. Consult a qualified electrician to ensure correct branch circuit conductor.

Turn off the main power at the circuit breaker before installing the fixture in order to prevent possible shock.

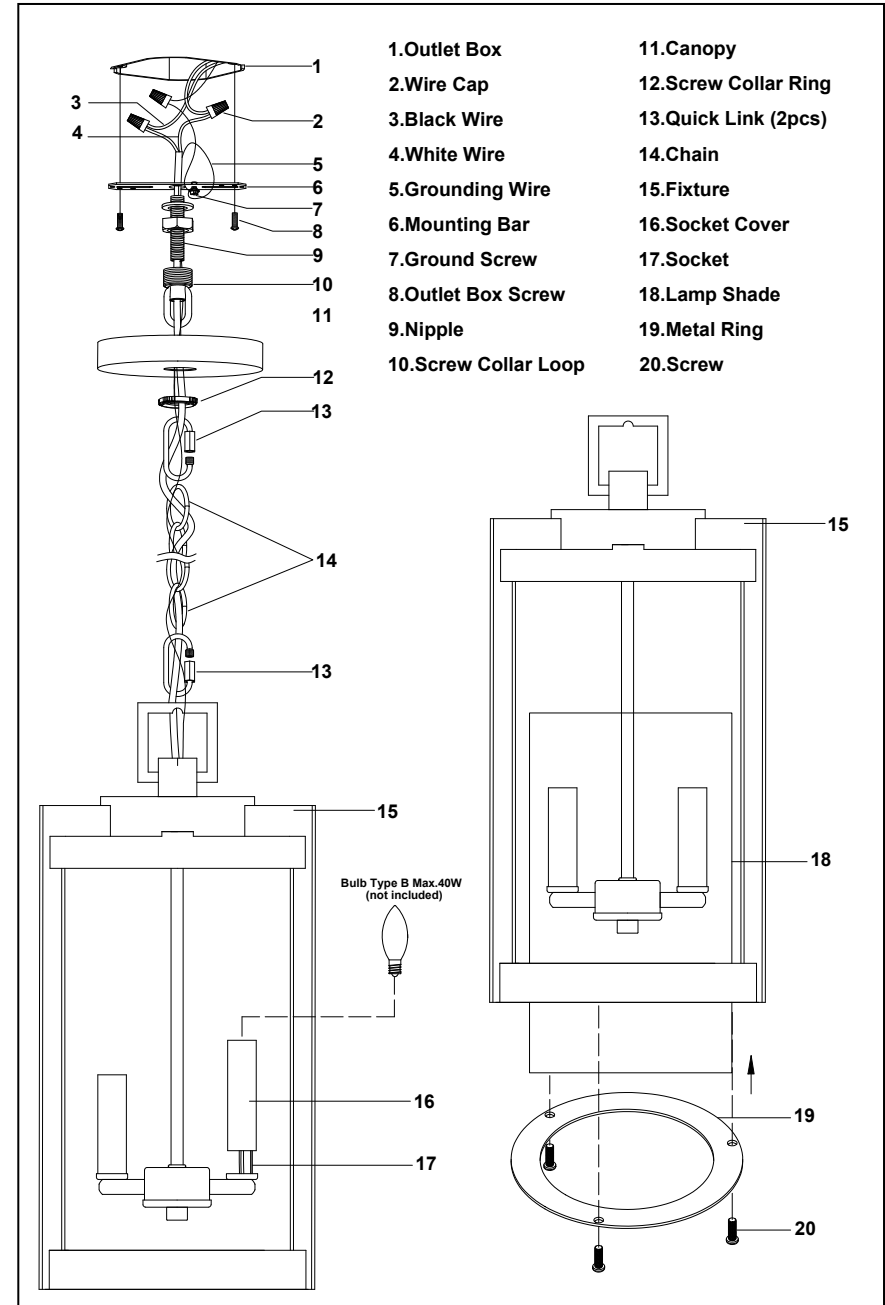
GENERAL

All electrical connections must be in accordance with local and National Electrical Code(N.E.C.) standards. If you are unfamiliar with proper electrical wiring connections obtain the services of a qualified electrician.

Remove the fixture and the mounting package from the box and make sure that no parts are missing by referencing the illustration.

ASSEMBLY AND INSTALLATION

1. Install the lamp shade(18) onto the fixture(15), then attach the metal ring(19) to the fixture bottom and secure them with screws(20).
2. Attach the mounting bar(6) with screw collar loop(10) onto the outlet box(1) by using two outlet box screws(8).
3. Determine the length of chain(14) required to hang the fixture at the desired height. Using quick link (13) attach to the chain loop of the fixture.
4. Slip the screw collar ring(12) and canopy(11) over the chain(14) and allow them to rest on the fixture. Use quick link to attach the other end of the chain(14) to the screw collar loop(10). Weave the fixture wires through the chain loop, chain(14) (skipping every other chain link), screw collar loop(10), canopy(11) and nipple(9) of the mounting bar(6) assembly.
5. Pull out the source wires from the outlet box(1). Make wire connections using wire caps(2) as follow:
 - Connect the smooth-coated wire(marked) from the fixture to the black wire from the power source.
 - Connect the ribbed-coated wire(unmarked) from the fixture to the white wire from the power source .
 - Twine and attach the fixture ground wire to mounting bar(6) with the ground screw(7). Connect it to the house ground wire with the wire cap(2).Carefully tuck the connected wires back into the outlet box.
6. Raise the canopy(11) to the ceiling and secure in place by screwing the screw collar ring(12) onto the screw collar loop(10).
7. Install bulbs. (Bulbs not included)
(Don't exceed the maximum capacity recommended on the Sockets).



INSTALLATION IS NOW COMPLETED