



L-RC4-FR9-30



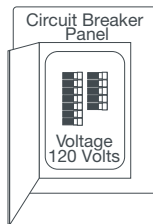
L-RC6-FR9-30

LED Retro Fit Can Light Part Number

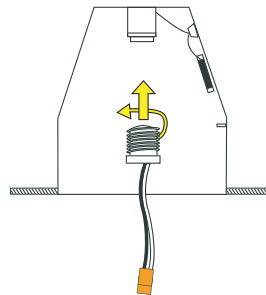
Part Number	Description	Dimensions
L-RC4-FR9-Temp	4" Retro Fit Can Light. Available in 3000K (30), 4000K (40) Kelvin temperatures.	5" x 2-1/2"
L-RC6-FR9-Temp	5 - 6" Retro Fit Can Light. Available in 3000K (30), 4000K (40) Kelvin temperatures.	7" x 2-7/8"
<i>L-RC4-FR9-30 (Example part number for 3000K 4" Retro Fit Can Light)</i>		

NOTE

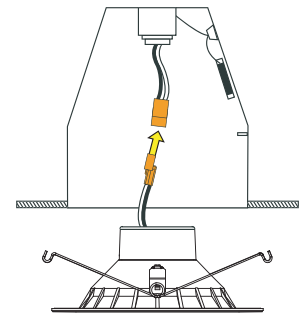
Use 120V AC Electronic Dimmer (Recommended) or Standard 120V AC Dimmer.



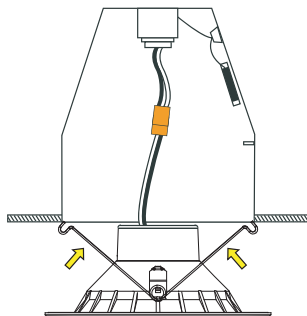
1. Turn 120V AC power off at Circuit Breaker Panel.



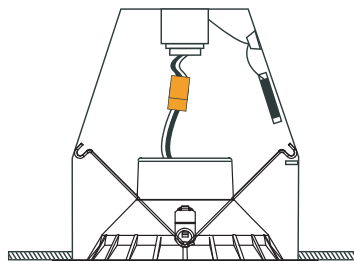
2. Screw socket adapter into socket.



3. Plug the male connector on the socket adapter into the female connector on the Retro Fit Can Trim.



4. Tuck all wires into the can, positioning them out of the way of the LED trim clips and squeeze clips.



5. Snap trim into housing and restore power.