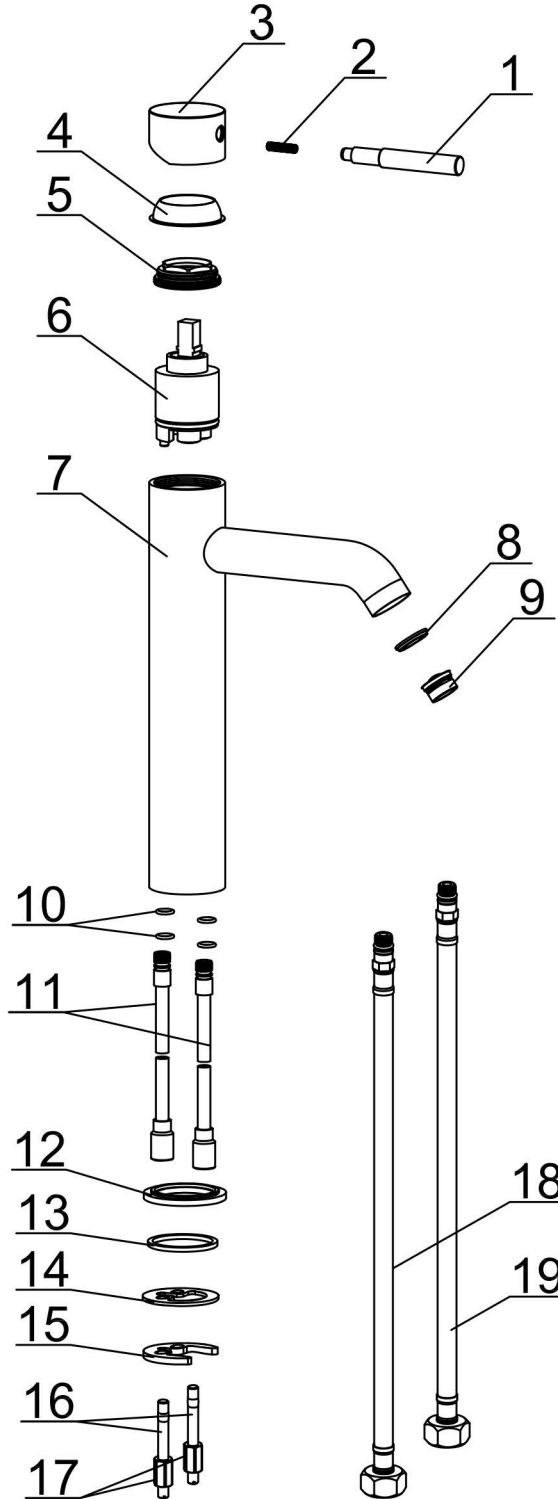


AB1023

19	$\frac{9}{16}$ steel wire pipe (450)(NSF)(Blue) PEX	Subassembly	1	50042048426
18	$\frac{9}{16}$ steel wire pipe (450)(NSF)(Red) PEX	Subassembly	1	50042048421
17	1360 Nut (M6)	H59	2	50020002601
16	1360 Fixing screw B	Stainless steel	2	50020002201
15	1176 two hole gasket	Q235	1	50020013201
14	1360 two hole washer	Rubber	1	70020002230
13	1141 flat washer	NBR	1	70020021530
12	1141 down ring	H59	1	50010007001
11	1021 inlet pipe A	Subassembly	2	50040017901
10	7.65*1.78"O" ring (NSF)	NBR	4	70010027530
9	M24*1 insert (SL)	Subassembly	1	50050022326
8	M24*1 washer (NSF)	NBR	1	70020021930
7	AB1023 mainbody	H65	1	10010085701
6	40A cartridge (KE)	Subassembly	1	20060002900
5	1050 cartridge nut	H59	1	40060000352
4	1341 cartridge decorative cover	ABS	1	50010067301
3	2131 handle seat	Zinc alloy	1	40040029101
2	M5*25 Fixing screw	Stainless steel	1	50060000200
1	1023 Handle lever (M5)	H59	1	40040026901
No.	Description	Material	Qty	Code