



## **Spare Parts List**

**(1.008-656.0)**

**EX20 - 115V**

**Machine Data Label**

---

Model: \_\_\_\_\_

Date of Purchase: \_\_\_\_\_

Serial Number: \_\_\_\_\_

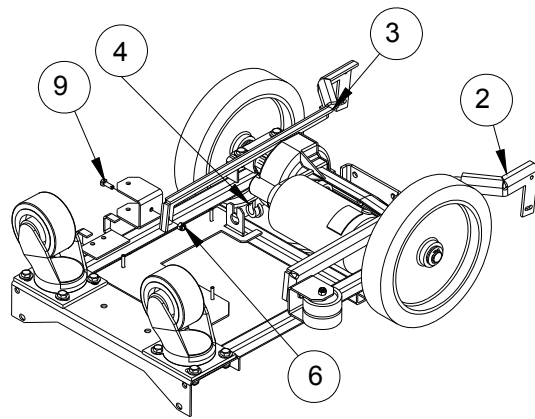
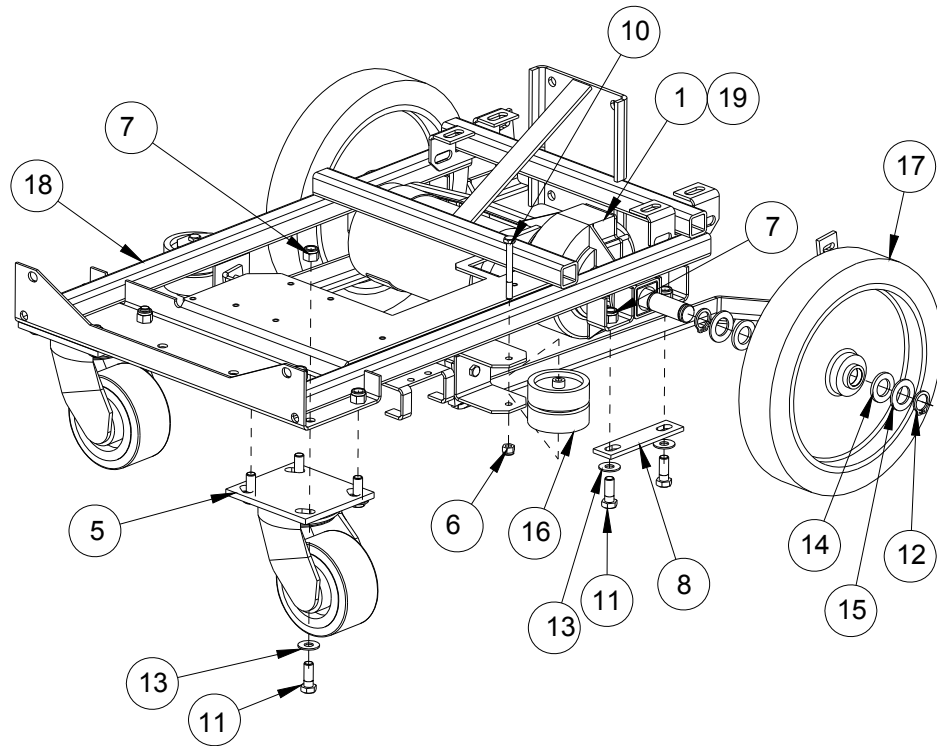
Dealer: \_\_\_\_\_

Address: \_\_\_\_\_

Phone Number: \_\_\_\_\_

Sales Representative: \_\_\_\_\_

<b>Machine Data Label</b> .....	<b>2</b>
<b>Table of Contents</b> .....	<b>3</b>
Frame .....	4
Pump .....	6
Brush .....	8
Manifold and Solenoid .....	10
Vacuum Shoe .....	12
Lift Lever and Lower Tower .....	14
Upper Tower .....	16
Control Panel .....	18
Solution Tank .....	20
Recovery Tank .....	22
Wiring Diagram .....	24
Serial Number .....	25

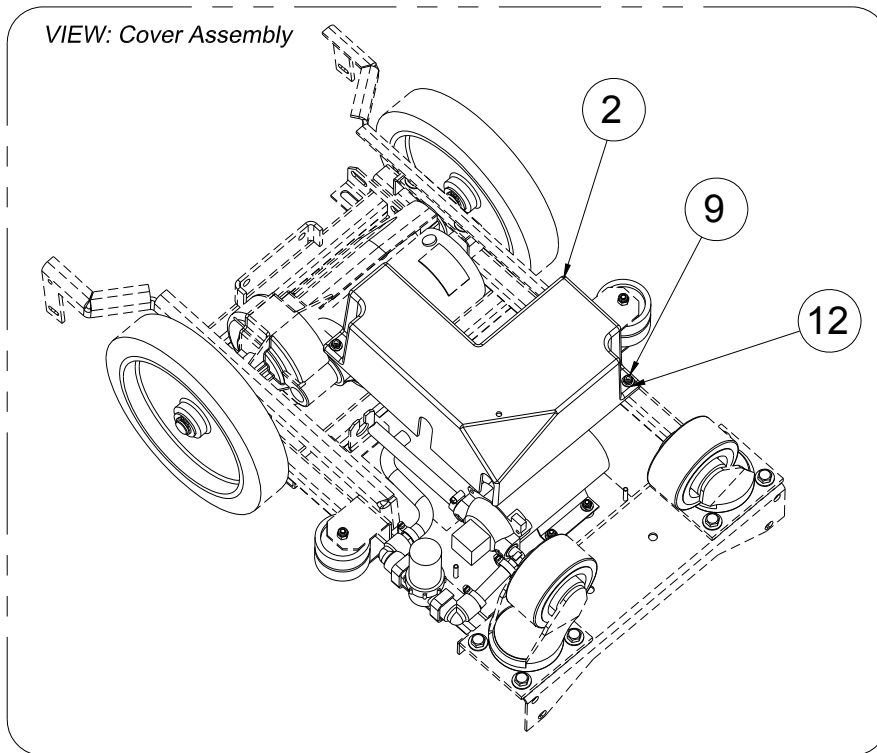
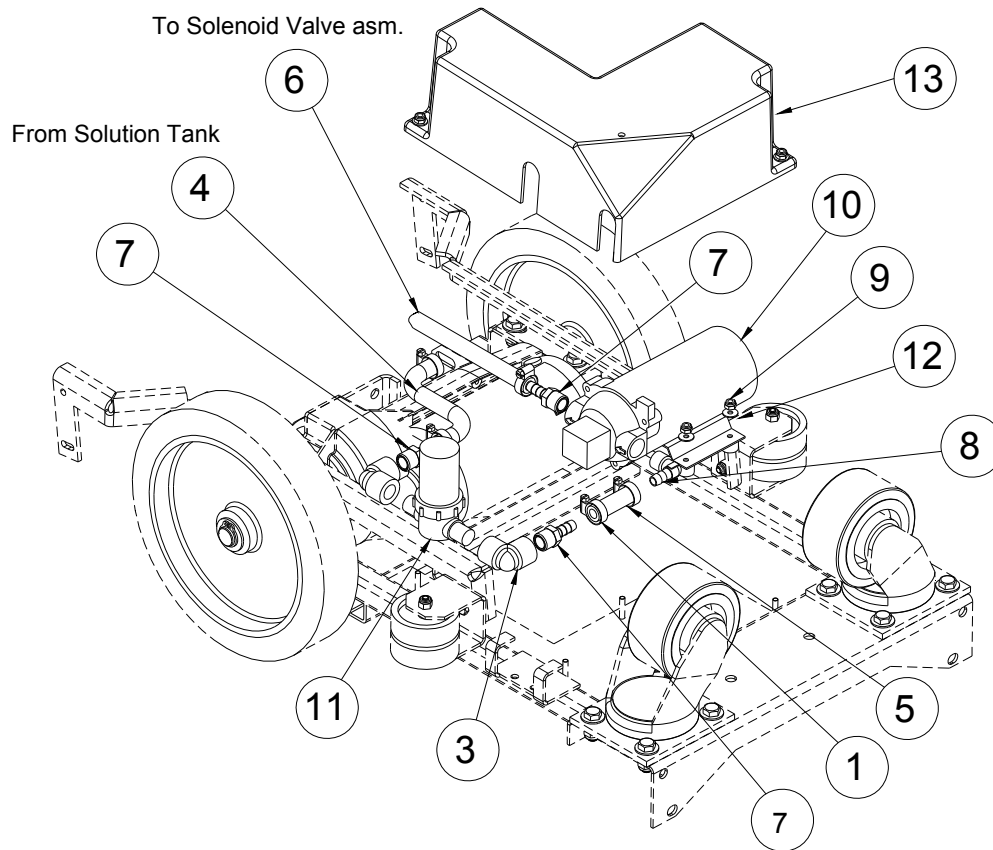


VIEW: Frame turned over

**NOTE: To access transaxle remove:  
86091320, 86091330,86006740 (4),  
86005770 (4) AND 86249400 (2)**

REF	PART NO.	QTY	DESCRIPTION	SERIAL NO. FROM	NOTES
1	86257760	1	TRANSAXLE, 90VDC .13 HP		
-	86216160	1	BRUSH SET, TRANSAXLE 05120 CCL		NOT SHOWN
2	86091320	1	ARM, BRUSH HOUSING RIGHT		
3	86091330	1	ARM, BRUSH HOUSING LEFT		
4	86256050	1	STRAIN RELIEF, 18/3 STR .75		
5	86002310	2	CASTER, 4 DIA X 2W X 3.56 R		
6	86005680	4	NUT, 1/4-20 HEX NYLOCK		
7	86005770	4	NUT, 3/8-16 HEX NYLOCK		
8	86249400	2	PLATE, DRIVE AXLE		
9	86273780	2	SCR, 1/4-20 X 3/4 HHCS SS		
10	86273800	2	SCR, 1/4-20 X 2.50 HHCS SS		
11	86006740	12	SCR, 3/8-16 X 1.00 HHCS GR5		
12	86008710	4	RING, 3/4 RETAINING HD SH		
13	86278910	4	WASHER, 3/8 X 7/8 FLAT SS		
14	86279420	4	WASHER, 3/4 X 1.25 NYL		
15	86279530	4	WASHER, .77 X 1.31 FLAT SS		
16	86259690	4	WHEEL, VAC SHOE		
17	86259830	2	WHEEL ASM, CMD20		
18	86075960	1	FRAME , WELDMENT		
19	86270880	8	NUT, 3/8-16 SERRATED FLG		

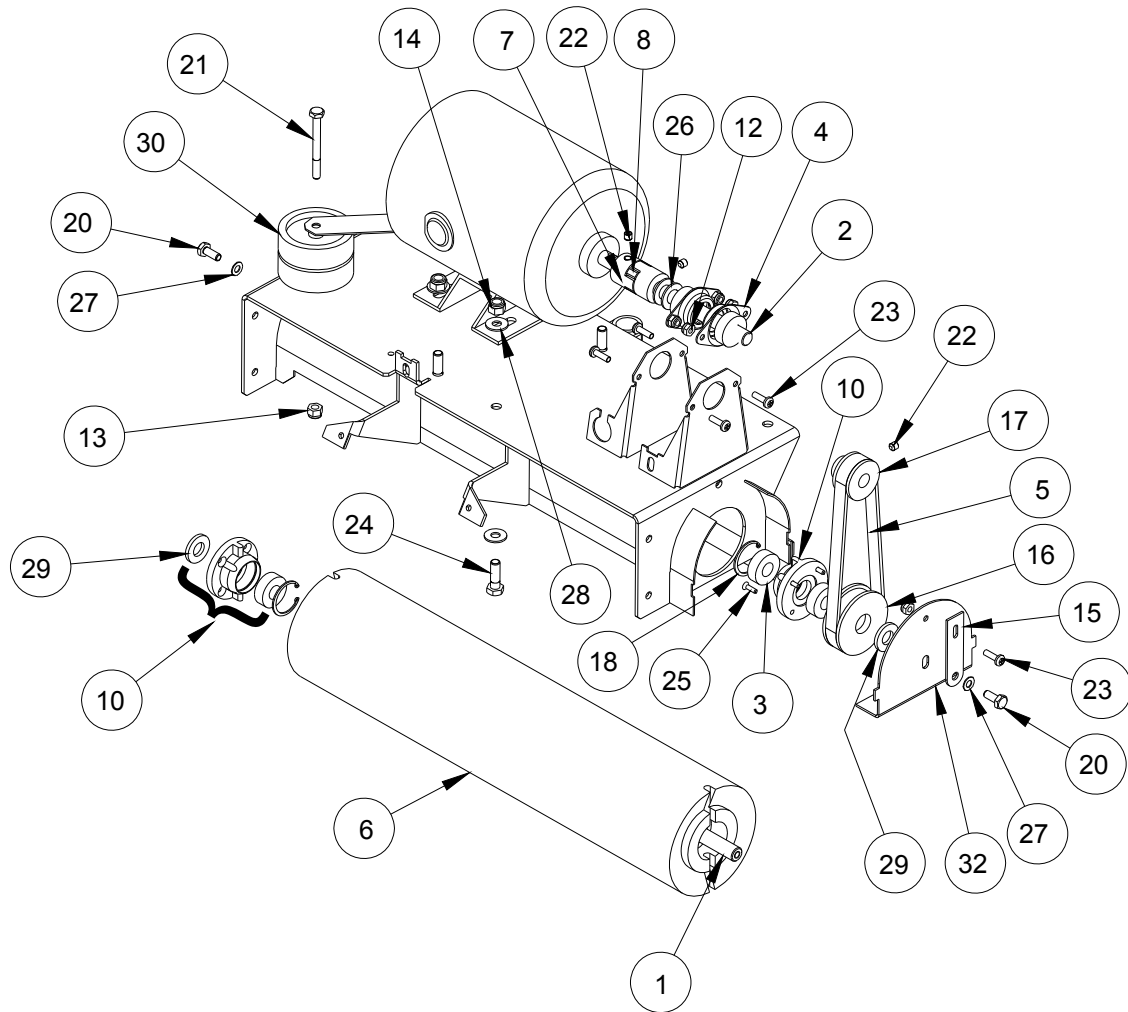
# Pump



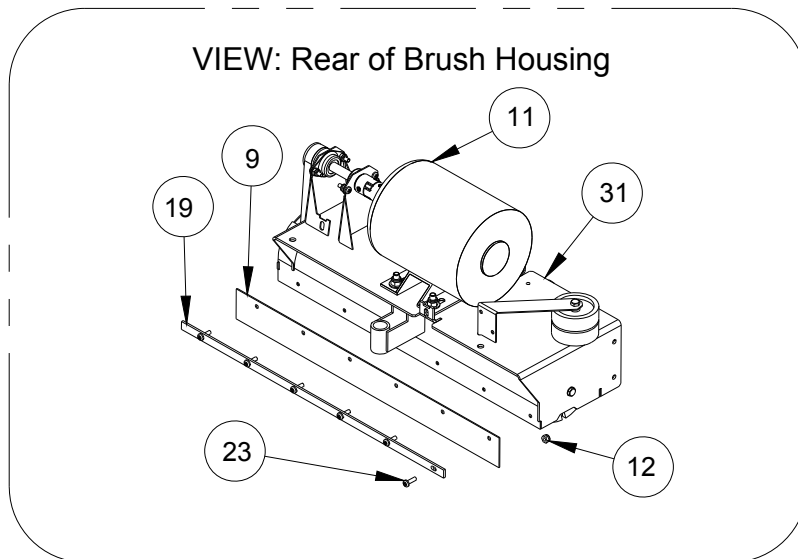
NOTE: Unscrew top bowl of strainer ASM to change filter

NOTE: To access pump ASM remove item's 8.606-375.0, 8.600-564.0 (2), 8.601-065.0 (2)

REF	PART NO.	QTY	DESCRIPTION	SERIAL NO. FROM	NOTES
1	86233150	5	CLAMP,3/8 WORM GEAR		
2	86393660	1	COVER, PUMP CMD20		
3	86235450	2	ELBOW, 3/8 FPT PVC SCH 80		
4	86281150	1	HOSE, 3/8 WIRE BOUND X 7		
5	86281680	1	HOSE, 3/8 NYLOBRAID X 2		
6	86281780	1	HOSE, 3/8 NYLOBRAID X 33		
7	86197510	3	HOSEBARB, 3/8MPT X 3/8		
8	86197610	1	HOSEBARB, 3/8MPT X 3/8 90 BRASS		
9	86005640	6	NUT, 10-32 HEX NYLOCK		
10	86251000	1	PUMP, 115V 100PSI BYPASS		
11	86007940	1	STRAINER, DEEP 100 MESH		
12	86010650	6	WASHER, #10 X 9/16 FLAT		
13	86393660	1	COVER, PUMP CMD20		



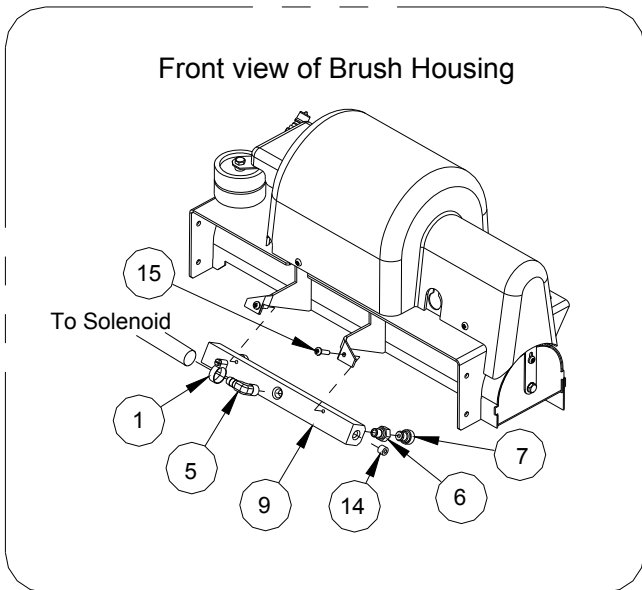
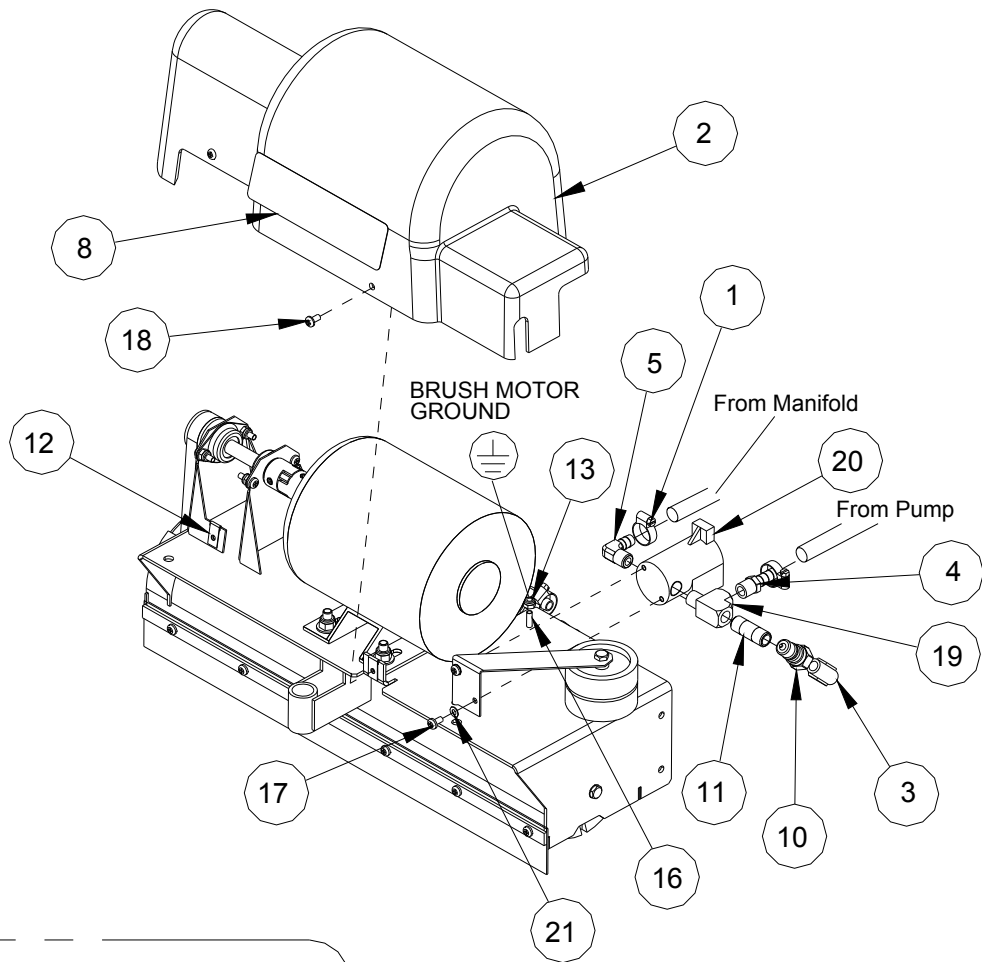
NOTE: To access Brush/Pully ASM remove:  
8.627-589.0, 8.623-395.0 (2), 8.607-863.0 (2)





REF	PART NO.	QTY	DESCRIPTION	SERIAL NO. FROM	NOTES
1	86227630	1	AXLE, .5 X 19.5 X 1/4-20		
2	86227640	1	AXLE, .50 X 4.34 W/FLATS		
3	86000900	5	BEARING, 1.125 OD X .500 ID X .375		
4	86000920	2	BEARING, FLANGE		
5	86229420	1	BELT, TIMING .375P 16.5 PL .5W		
6	86001120	1	BRUSH, 18L X 4.5 OD		
7	86234540	2	COUPLER, 1/2 JAW		
8	86234550	1	COUPLER, SPIDER		
9	86238590	1	GUARD, SPLASH		
10	86241210	2	IDLER, BRUSH QUICK-CHANGE END		
11	86247070	1	MOTOR, 115V 1/3 HP W/O T/O		
12	86005640	11	NUT, 10-32 HEX NYLOCK		
13	86005680	1	NUT, 1/4-20 HEX NYLOCK		
14	86005750	4	NUT, 5/16-18 HEX NYLOCK		
15	86081460	1	PLATE, BELT ADJUSTMENT		
16	86250660	1	PULLEY, TIMING 2.029 PD X .375P		
17	86250670	1	PULLEY, TIMING .375 10T .51D		
18	86272760	2	RING, 1.13 RETAINING HO		
19	86086190	1	RETAINER, SPLASH GUARD		
20	86275890	2	SCREW, 1/4-20 X .625 HHCS STL GR5 ZNPLT		
21	86273800	1	SCR, 1/4-20 X 2.50 HHCS SS		
22	86006610	3	SCR, 1/4-20 X 1/4 SSSCU		
23	86274270	11	SCR, 10-32 X 5/8 PPHMS		
24	86006750	4	SCR, 5/16-18 X 1.00 HHCS GR5		
25	86275380	4	SCR, 6-32 X 1/2 PFHMS PLTD		
26	86278850	2	WASHER, .506 X .94 NYL		
27	86010660	2	WASHER, 1/4 EXT STAR SS		
28	86010670	8	WASHER, 5/16 X 3/4 SS		
29	86279580	2	WASHER, 1/2 X 1.00 NYL		
30	86259690	2	WHEEL, CMD VAC SHOE		
31	86090400	1	WELDMENT, BRUSH HOUSING		
32	86078630	1	BRKT, RUSH HOUSING END CAP		

# Manifold and Solenoid

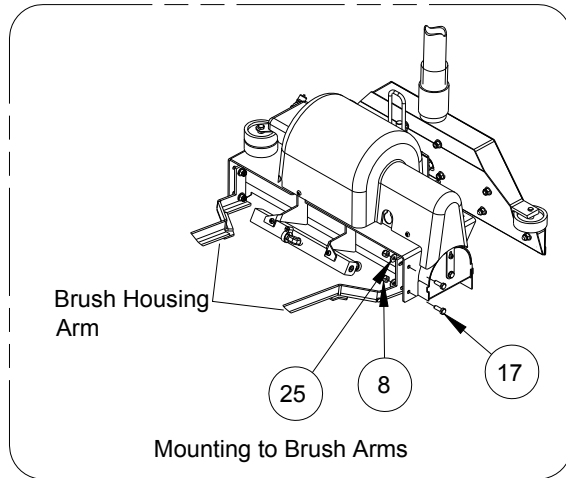
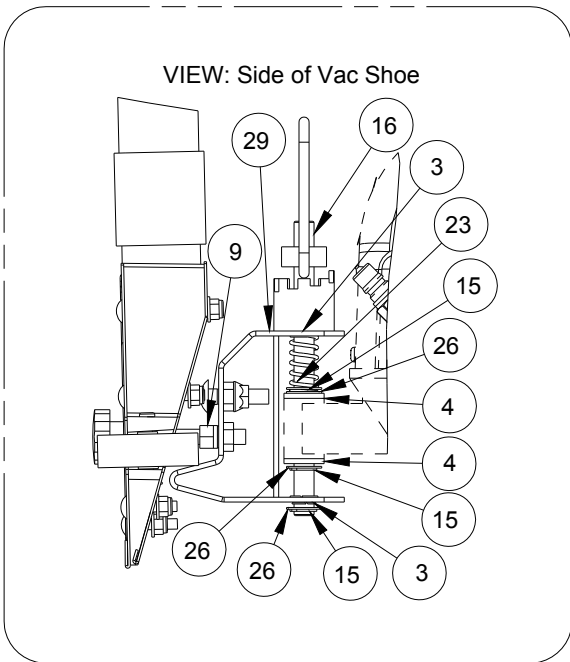
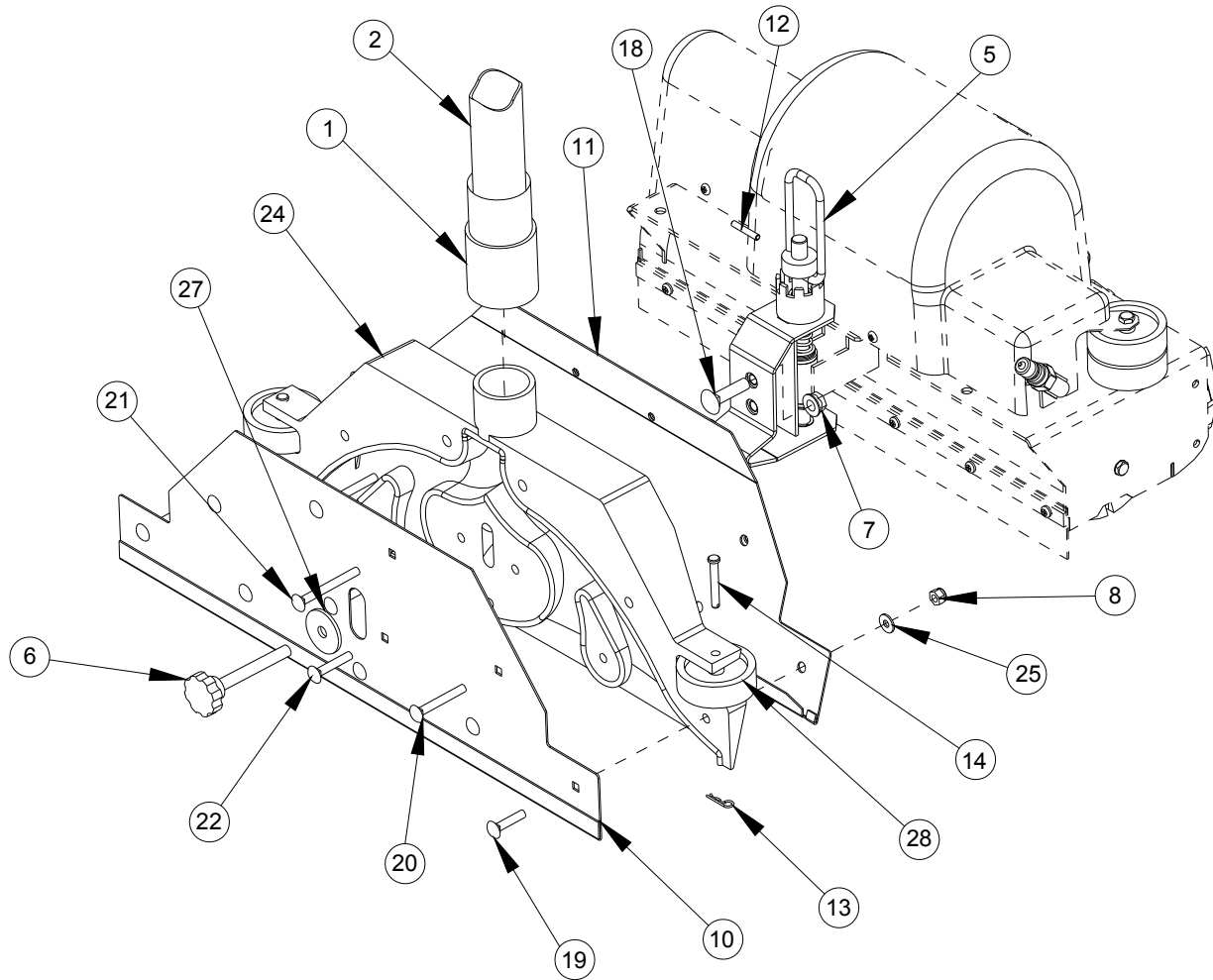


NOTE: To access Solenoid, remove 8.639-365.0, 8.600-687.0 (4)

NOTE: To access Manifold ASM, remove 8.600-660.0 (2)

REF	PART NO.	QTY	DESCRIPTION	SERIAL NO. FROM	NOTES
1	86233150	3	CLAMP, 3/8 WORM GEAR		
2	86393650	1	COVER, BRUSH MOTOR		
3	86197360	1	ELBOW, 1/4 NPT, STREET		
4	86197550	1	HOSEBARB, 1/4 MPT 3/8		
5	86197600	2	HOSEBARB, 1/4 MPT X 3/8H 90 DEG		
6	86004570	2	JET, MINI PROMAX BODY		
7	86013200	2	JET, MINI PROMAX 11004		
8	86396950	1	LABEL, ADJ INSTRUCTION		
9	86005540	1	MANIFOLD, CMD20		
10	86005580	1	NIPPLE, 1/4 FPT QD		
11	86197670	1	NIPPLE, 1/4 X 1.5		
12	86270860	4	NUT, 10-24 TINNERMAN		
13	86005640	1	NUT, 10-32 HEX NYLOCK		
14	86006180	2	PLUG, 1/8 MPT HEX BRASS		
15	86006600	2	SCR, #10 X 3/4 PHST TYPE B		
16	86274270	1	SCR, 10-32 X 5/8 PPHMS		
17	86274290	2	SCR, 10-32 X 3/8 PPHMS SS		
18	86006870	4	SCR, #10 X 3/8 PHSM TYPE B BLK		
19	86197760	1	TEE, 1/4 STREET		
20	86258870	1	VALVE, 120V 110 PSI SOLENOID		
21	86010640	3	WASHER, #10 EXT STAR SS		

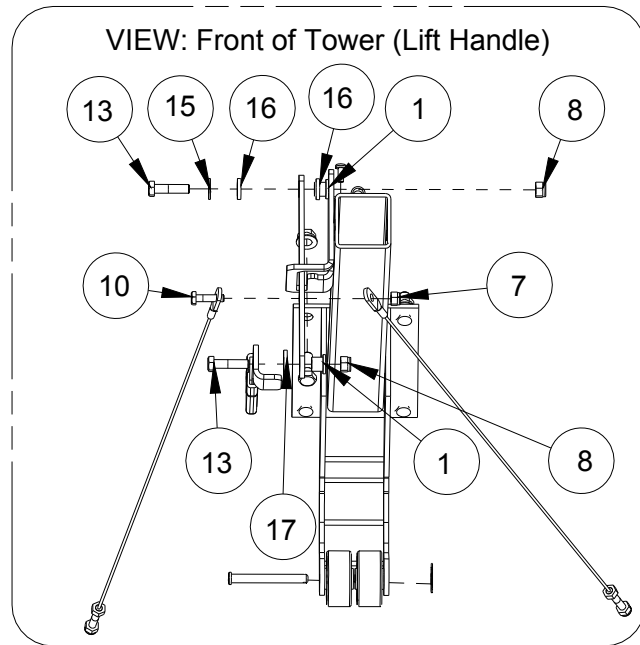
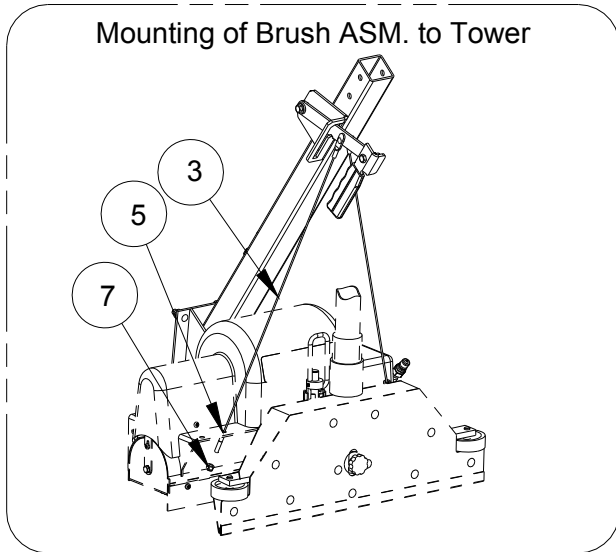
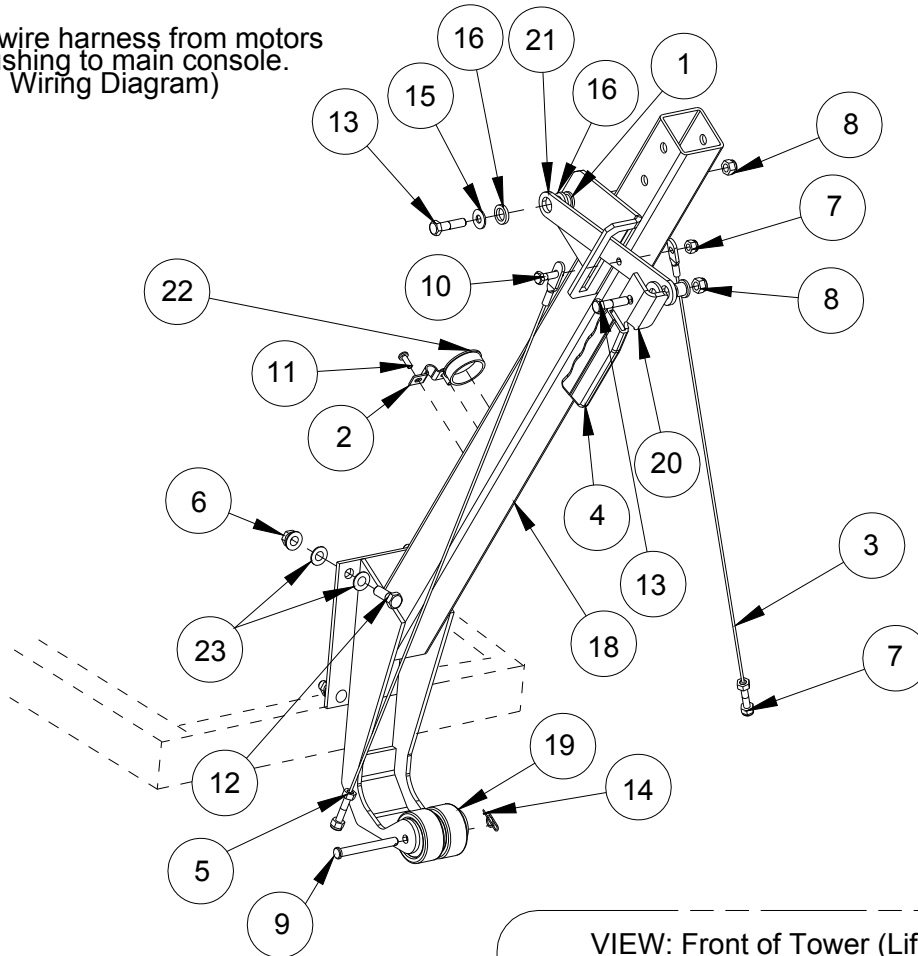
# Vacuum Shoe



REF	PART NO.	QTY	DESCRIPTION	SERIAL NO. FROM	NOTES
1	86003100	1	CUFF, BLK VAC HOSE		
2	86004300	1	HOSE 1.5 BLK VAC X 30"		
3	86228580	2	BEARING, 1/2 NYLINER SI		
4	86231300	2	BRUSH, BRZ FLG. .50 X.75 X.75		
5	86095770	1	COLLAR ASM, HEIGHT ADJUSTMENT		
6	86242070	1	KNOB, 1.38 OD X 3/8-16 X 3.00		
7	86270880	1	NUT, 3/8-16 HEX FLG		
8	86005680	15	NUT, 1/4-20 HEX NYLOCK		
9	86005770	1	NUT, 3/8-16 HEX NYLOCK		
10	86080980	1	PLATE, VAC		
11	86081000	1	PLATE, VAC TRAP		
12	86272370	1	PIN, ROLL 3/16 X 1.13		
13	86272390	2	PIN, COTTER HAIR .059 X 1		
14	86006250	2	PIN, CLEVIS 1/4 X 1.75		
15	86212810	3	RING, 1/2 RETAINING HD SH		
16	86006380	1	ROD, VAC PIVOT		
17	86273780	4	SCR, 1/4-20 X 3/4 HHCS SS		
18	86276280	1	SCR, 3/8-16 X 1.5 CARRIAGE PLTD		
19	86276330	5	SCR, 1/4-20 X 1.25 CARRIAGE		
20	86276340	2	SCR, 1/4-20 X 2.0 CARRIAGE		
21	86276350	2	SCR, 1/4-20 X 2.5 CARRIAGE		
22	86276360	2	SCR, 1/4-20 X 1.5 CARRIAGE		
23	86255290	1	SPRING, COMP .550ID X .720OD X .085W		
24	86258620	1	VACUUM SHOE, INSERT		
25	86010630	15	WASHER, 1/4 X 5/8 FLAT SS		
26	86279320	4	WASHER, .52 X 88 FLAT		
27	86279490	4	WASHER, .39 X 1.50 FLAT		
28	86259690	2	WHEEL, CMD VAC SHOE		
29	86091520	1	BRKT, VACSHOE ADJUST WELDMENT		

# Lift Lever and Lower Tower

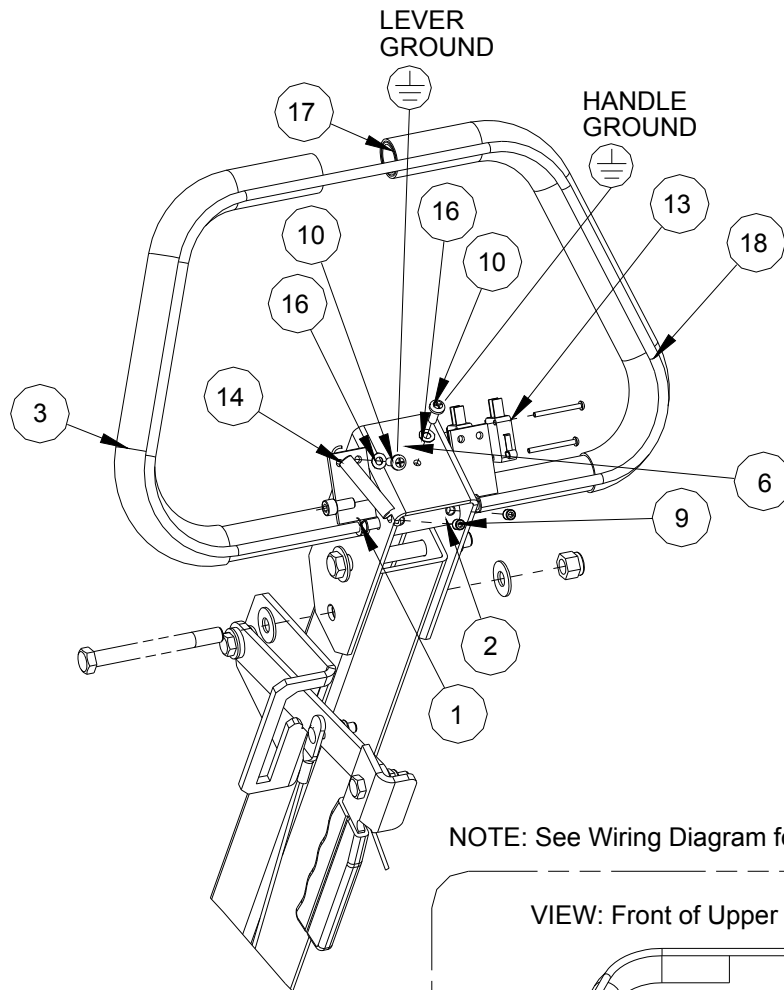
NOTE: Main wire harness from motors through bushing to main console.  
(Ref. Wiring Diagram)



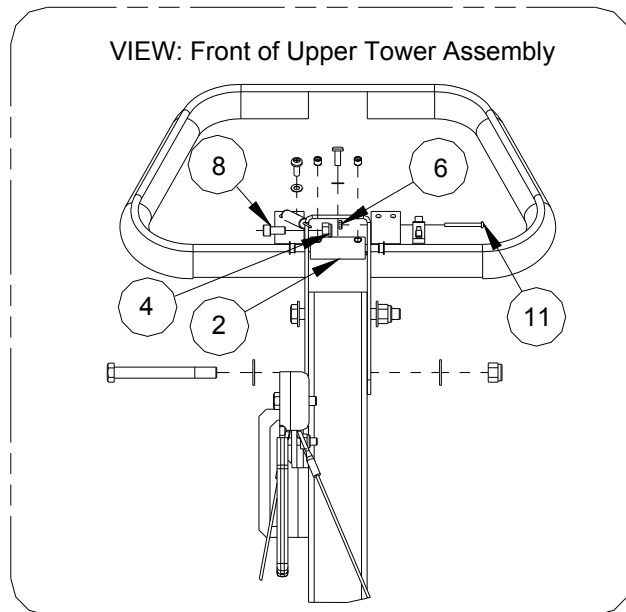
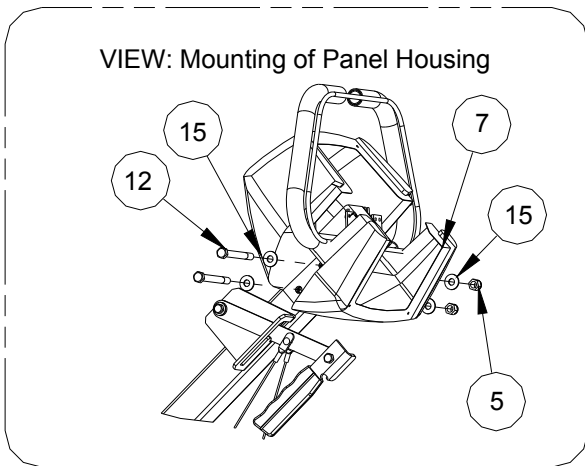
**Lift Lever and Lower Tower**

REF	PART NO.	QTY	DESCRIPTION	SERIAL NO. FROM	NOTES
1	86228840	2	BEARING, FLANGED .313ID X .052OD		
2	86075260	1	CLAMP, CORD		
3	86231790	2	CABLE, 25.25 1/4 EYE X 1/4 STUD		
4	86336000	1	GRIP, 3/16X 1.0, YLW		
5	86270770	2	NUT, 1/4-20 HEX		
6	86270880	4	NUT, 3/8-16 HEX FLG		
7	86005680	3	NUT, 1/4-20 HEX NYLOCK		
8	86005750	2	NUT, 5/16-18 HEX NYLOCK		
9	86272460	1	PIN, CLEVIS 5/16 X 2.75		
10	86273810	1	SCR, 1/4-20 X 1.00 HHCS SS		
11	86274350	2	SCR, 10-24 X 1/2 PHTC -F-		
12	86006740	4	SCR, 3/8-16 X 1.00 HHCS GR5		
13	86274910	2	SCR, 5/16-18 X 1.25 HHCS GR5		
14	86008660	1	COTTER, 5/16 RING		
15	86010670	1	WASHER, 5/16 X 3/4 SS		
16	86279350	2	WASHER, WAVE 1/2 ID X 3/4 D X .125		
17	86279580	1	WASHER, 1/2 X 1.00 NYL		
18	86095640	1	WELDMENT, POST LOWER CONTROL		
19	86259810	2	WHEEL, 2 OD X .31 ID X .88 W PLASTIC		
20	86069100	1	BRKT, LIFT LEVER HANDLE		
21	86069110	1	BRKT, LIFT LEVER BASE		
22	86231210	1	BUSHING, 1.5 HOLE SNAP		
23	86279010	8	WASHER, 3/8 STAR		

# Upper Tower



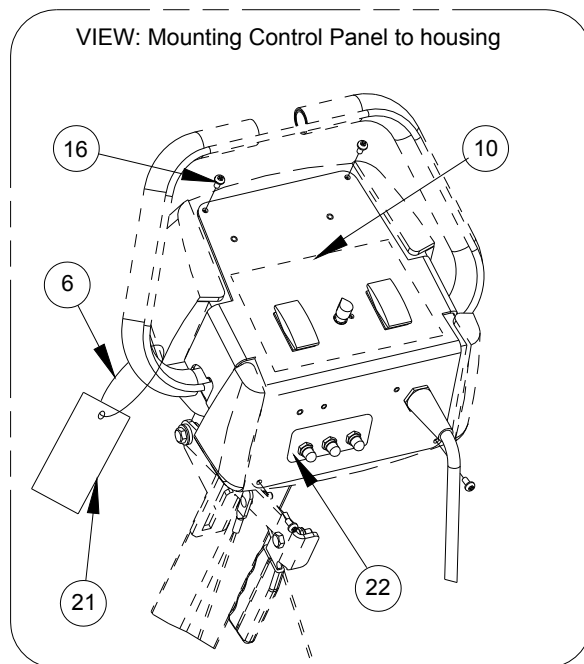
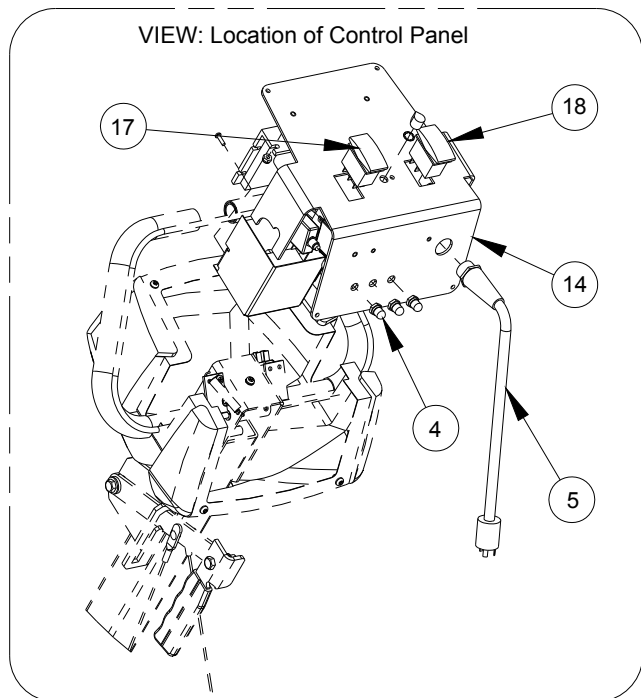
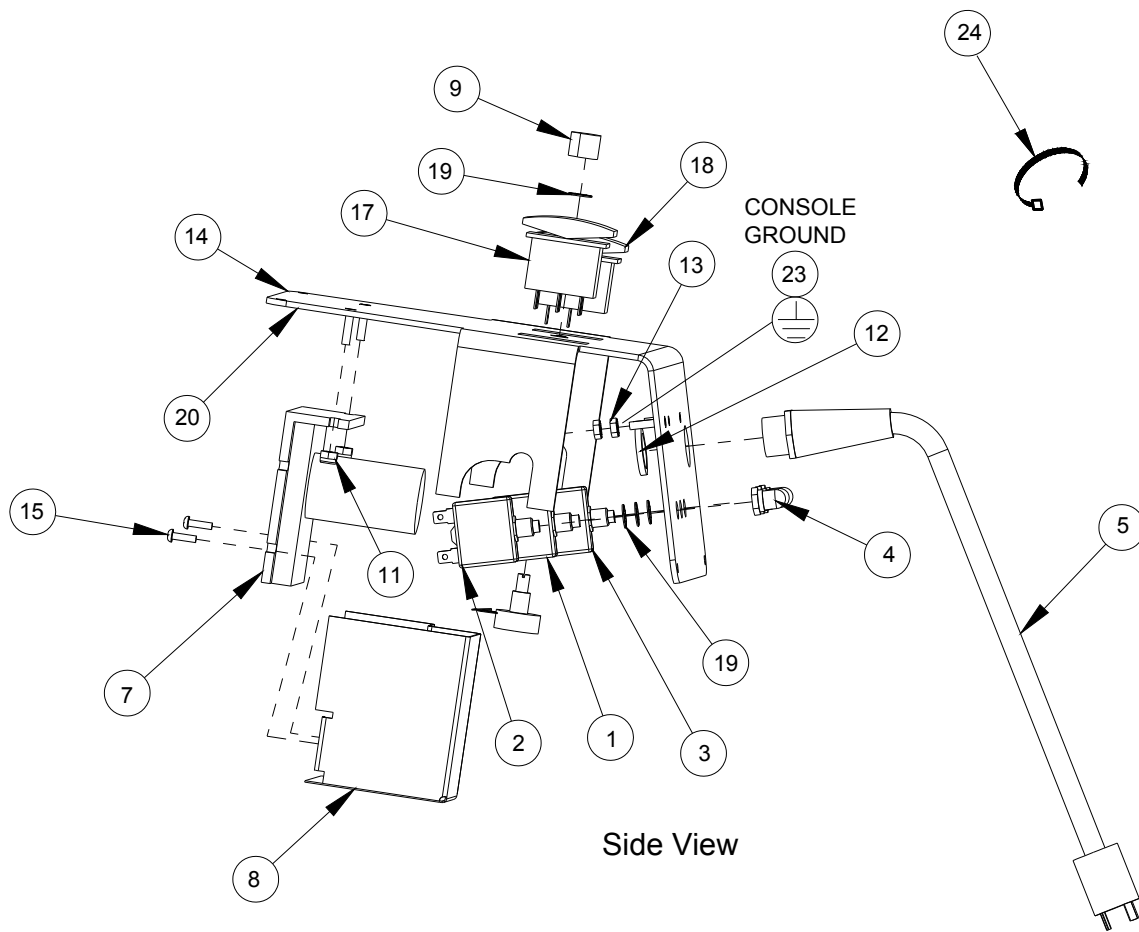
NOTE: See Wiring Diagram for electrical wiring layout.





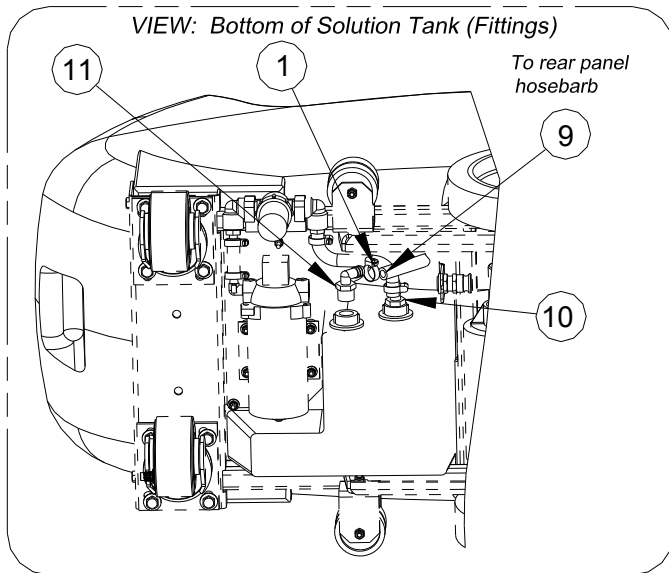
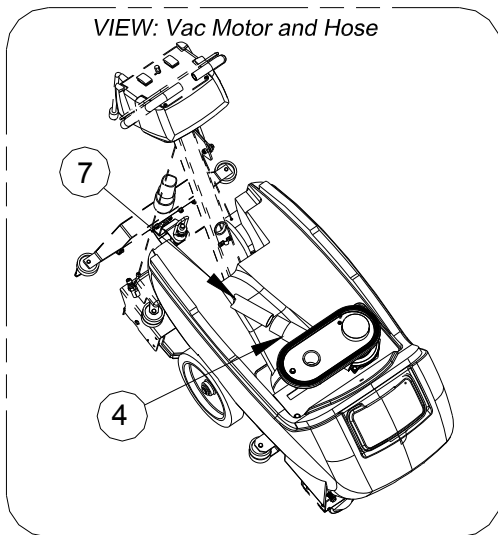
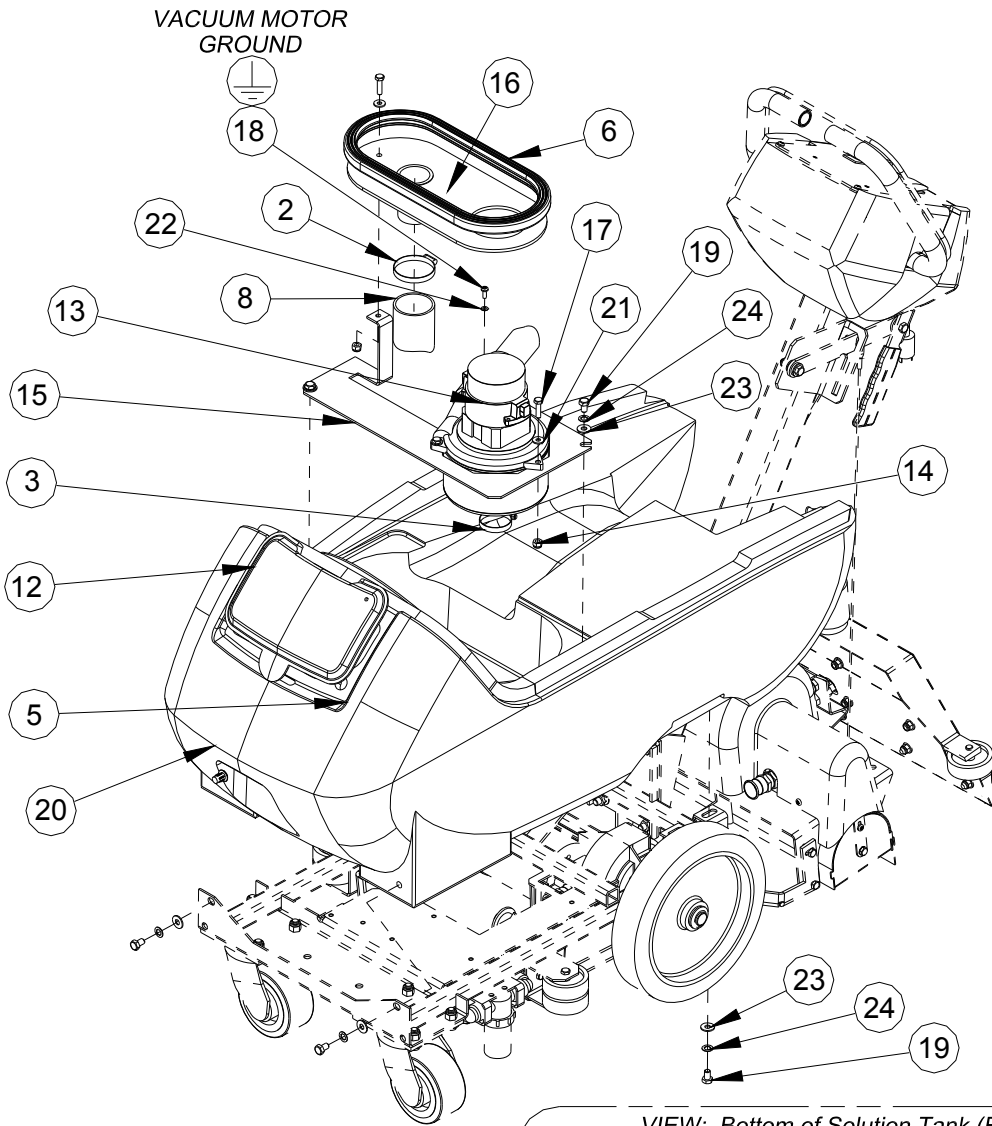
REF	PART NO.	QTY	DESCRIPTION	SERIAL NO. FROM	NOTES
1	86228860	2	BEARING, 1/4 NYLINER SI		
2	86233680	1	COLLAR, .75ODX .281 IDX 1.875		
3	86238270	2	GRIP, .8131IDX .085WX13.0L PVC		
4	86005680	1	NUT, 1/4-20 HEX NYLCK		
5	86005770	2	NUT, 3/8-16 HEX NYLCK		
6	86271280	2	NUT, 4-40 HEX W/ STAR		
7	86062840	1	PANEL, CMD20 CONTROL		
8	86274110	1	SCR, 1/4-20 X 1/2 SHCS		
9	86006610	2	SCR, 1/4-20 X 1/4 SSSCU		
10	86274350	2	SCR, 10-24 X 1/2 PHTC -F-		
11	86275250	2	SCR, 4-40 X 1.25 PPHMS		
12	86275860	2	SCR, 3/8-16 X 3.50 HHCS GR5		
13	86007160	2	SWITCH, 10A ROLLER MINI		
14	86255020	1	SPRING, EXT .36D X 1.5L X .058W		
15	86278910	4	WASHER, 3/8 X 7/8 FLAT SS		
16	86010640	2	WASHER, #10 EXT STAR SS		
17	86092800	1	HANDLE, CMD20 WELDMENT		
18	86095680	1	WELDMENT, PROPEL CONTROL		

# Control Panel



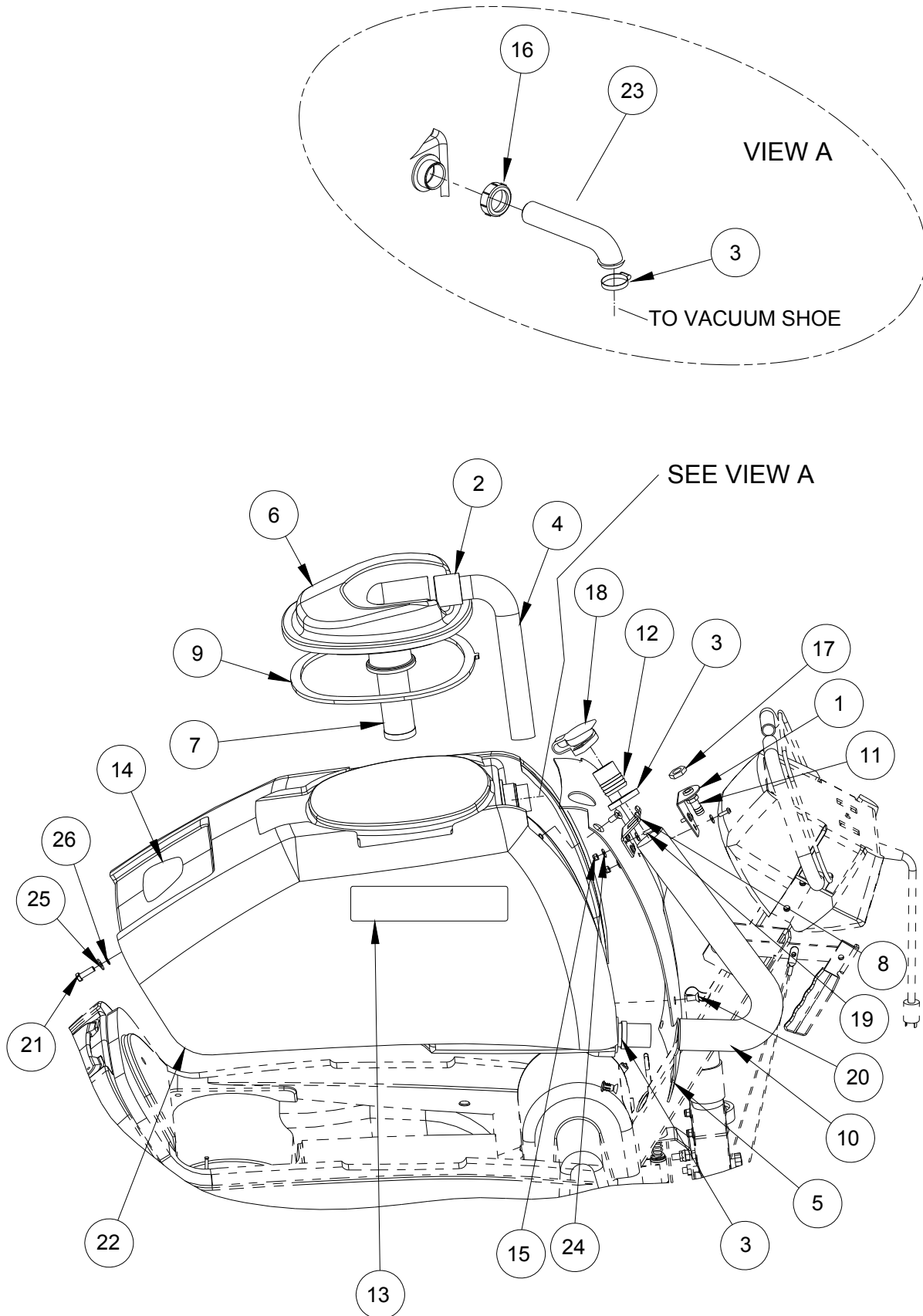
REF	PART NO.	QTY	DESCRIPTION	SERIAL NO. FROM	NOTES
1	86230170	1	BREAKER, 8A 250VAC, 50VDC		
2	86291460	1	BREAKER, 11A VDE CIRCUIT		
3	86230210	1	BREAKER, 6A VDE		
4	86002010	3	BOOT, 3/8 CIRCUIT BREAKER		
5	86234310	1	CORD ASM, 13/13 PIGIT X 22 YELLOW		
6	86002870	1	CORD, 99807 1/8 X 12		
7	86234040	1	CONTROL PROPEL BOARD 115/240V		
8	86075520	1	COVER, PROPEL BOARD		
9	86242020	1	KNOB, SPEED CONTROL		
10	86429700	1	LABEL TRIDENT CONTROL PANEL P/L EX20		
11	86270850	2	NUT, 8-32 HEX NYLCK		
12	86005670	1	NUT, 1/2 NPT CONDUIT		
13	86005720	2	NUT, 8-32 HEX W/STAR		
14	86081010	1	PLATE, CONTROL PANEL		
15	86274510	2	SCR, #6 X 1/2 SHT MTL BLK		
16	86006870	4	SCR, #10 X 3/8 PHSM TYPE B BLK		
17	86007130	1	SWITCH, DPDT 2-POSITION ROCKER		
18	86007140	1	SWITCH, SPST 2-POSITION ROCKER		
19	86010750	4	WASHER, 3/8 INT STAR		
20	86133380	2.8 FT	GASKET, 1/8 X 1/2 1SDA FOAM BLK		
21	86396910	1	CARD, INTRUCTION CMD20		
22	86396930	1	LABEL, CIRCUIT BREAKER		
23	86245040	1	LABEL, GROUND SYMBOL		
24	86264920	1	CABLE TIE, 7" UL/CSA		

# Solution Tank



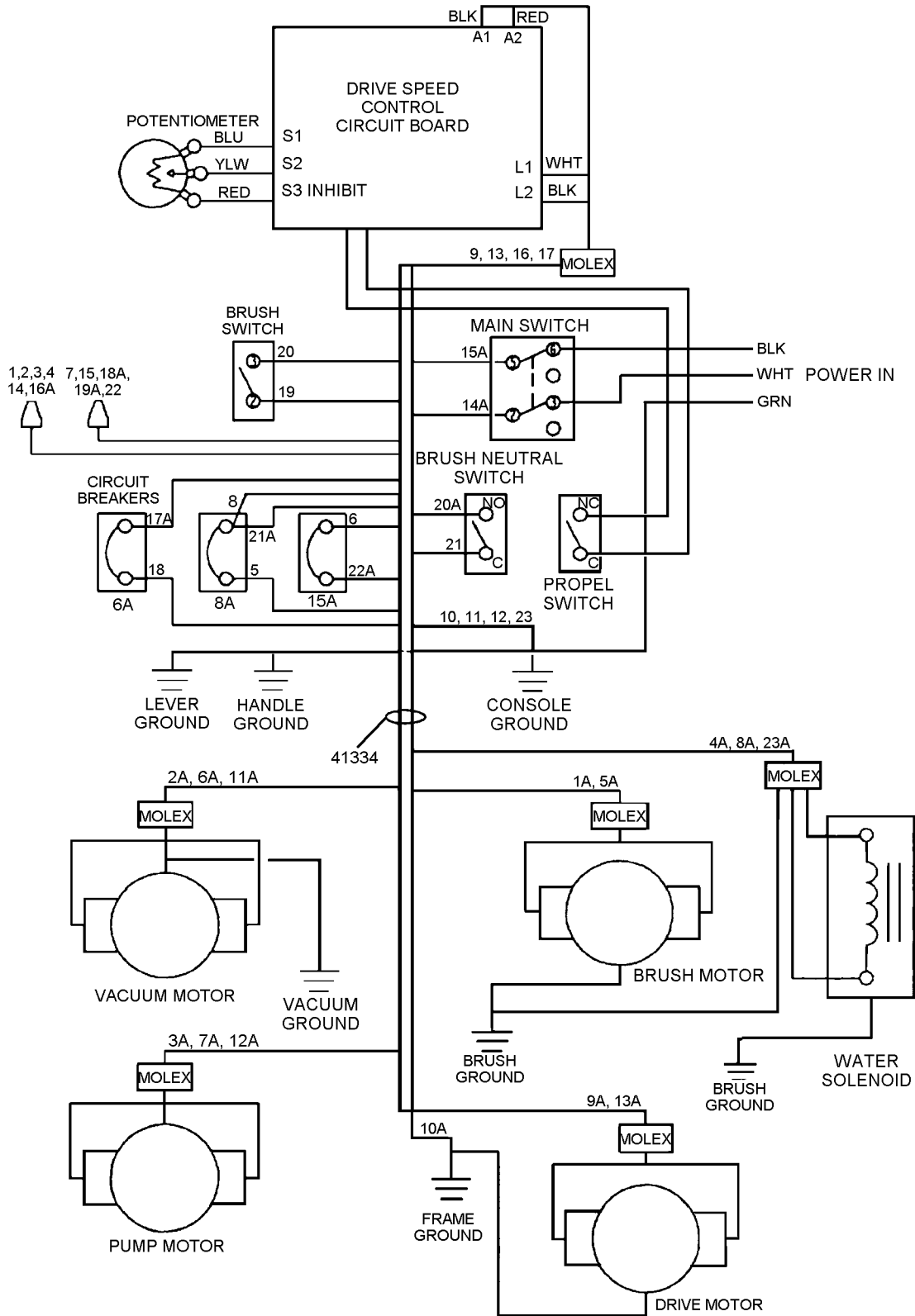
REF	PART NO.	QTY	DESCRIPTION	SERIAL NO. FROM	NOTES
1	86233150	1	CLAMP, 3/8 WORM GEAR		
2	86002380	2	CLAMP, 2.25 WORM GEAR		
3	86002390	1	CLAMP, 1.75 WORM GEAR X .312		
4	86003100	1	CUFF, BLK VAC HOSE		
5	86002870	1	CORD, 99807 1/8 X 12		
6	86237710	1	GASKET, DOME 9 ID X 30.75 L		
7	86004190	1	HOSE 1.5 BLK VAC X 24"		
8	86280990	1	HOSE, 2IN VAC X 20IN		
9	86281790	1	HOSE, DRAIN X 44IN		
10	86197920	1	HOSEBARB, 1/2MPT X 3/8 NYLON		
11	86001530	1	HOSEBARB, 1/2MPT X 1/2 HOSE 90		
12	86393670	1	LID, SOLUTION TANK CMD20		
13	86258430	1	VAC MOTOR, 115V 5.7 3ST TD TB		
14	86005680	4	NUT, 1/4-20 HEX NYLOCK		
15	86081130	1	PLATE, CMD20 VAC MTR		
16	86033130	1	PLATE, VAC MOTOR COOLING		
17	86273810	4	SCR, 1/4-20 X 1.00 HHCS SS		
18	86274350	1	SCR, 10-24 X 1/2 PHTC -F-		
19	86275180	6	SCR, 5/16-18 X 1/2 HHCS GR5		
20	86429990	1	TANK TRIDENT EX20 SOLUTION		
21	86010630	4	WASHER, 1/4 X 5/8 FLAT SS		
22	86010640	1	WASHER, #10 EXT STAR SS		
23	86010670	6	WASHER, 5/16 X 3/4 SS		
24	86279090	6	WASHER, 5/16 INT STAR		
-	86234090	1	CORD SET 12/3 SJTW-A X 75' YLW		NOT SHOWN

# Recovery Tank



REF	PART NO.	QTY	DESCRIPTION	SERIAL NO. FROM	NOTES
1	86073000	1	BRKT, PT17 SIGHT TUBE		
2	86003010	1	CUFF, HOSE 1.5" BLK A 2126		
3	86002400	2	CLAMP, 2.0" WORM GEAR X .312		
4	86240080	1	HOSE, 1.5 BLK VAC X 52"		
5	86393640	1	COVER, CMD20 REAR		
6	86235270	1	DOME, CMD20		
7	86003590	1	FLOAT BALL, VAC SHUT OFF		
8	86001370	1	BRKT, HOSE HOOK		
9	86237670	1	GASKET, CMD20 DOME		
10	86004260	1	HOSE, 1.5 X 24.0 DRAIN		
11	86197540	1	HOSEBARB, 3/8MPT X 1/2HOSE		
12	86004510	1	HOSE, INSERT		
13	86429670	2	LABEL TRIDENT EX20 SIDE		
14	86429620	1	LABEL HILLYARD LOGO DOMED		
15	86005640	4	NUT, 10-32 HEX NYLCK		
16	86372080	1	NUT, 1.5 SLIP JOINT		
17	86247910	1	NUT, 3/8 NPT HEX BRASS		
18	86401400	1	HOSE, CAP, YLW		
19	86274270	4	SCR, 10-32 X 5/8 PPHMS		
20	86274770	6	SCR, 5/16-18 X 3/4 FHMS BLK OX		
21	86006750	1	SCR, 5/16-18 X 1.00 HHCS GR5		
22	86429820	1	TANK TRIDENT EX20 RECOVERY		
23	86257860	1	TUBE, 1.5 WASTE		
24	86010650	8	WASHER, #10 X 9/16 FLAT		
25	86010670	1	WASHER, 5/16 X 3/4 SS		
26	86279090	1	WASHER, 5/16 INT STAR		

# Wiring Diagram





REF. NO.	MODEL: SERIAL #
-	-