

A

B

C

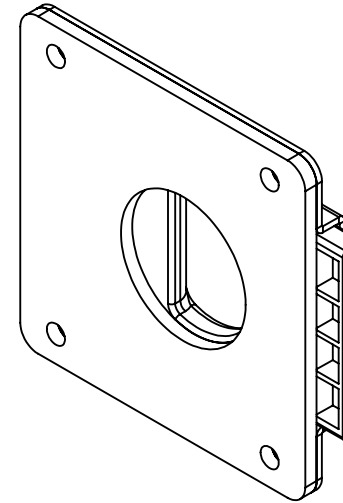
D

E

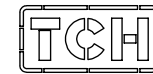
F

REVISIONS

REV.	DESCRIPTION	DATE	APPROVED
A	INITIAL RELEASE	7/9/2018	

[11]
.44[8]
.32[3]
.13[80]
3.15[60]
2.364X [5]
Ø .20[41]
1.61[46]
1.80[68]
2.66[82]
3.23[35]
Ø 1.38[34]
1.35

THE INFORMATION CONTAINED IN THIS DRAWING IS THE SOLE PROPERTY OF TRANS CONTINENTAL HARDWARE. ANY REPRODUCTION IN PART OR AS A WHOLE WITHOUT THE WRITTEN PERMISSION OF TRANS CONTINENTAL HARDWARE IS PROHIBITED.



TRANS CONTINENTAL HARDWARE

PART NAME **SLIDE LATCH WITH SPACER**MATERIAL **STEEL / PLASTIC**DRAWING NO. **501-8015800-CUST**

REVISION NO.

DATE **7/9/2018** SCALE **2:3** THIRD ANGLE PROJECTION DRAWING

ALL DIMENSIONS WITHOUT TOLERANCES ARE REFERENCE

SPECIFICATION SUBJECT TO CHANGE WITHOUT NOTICE

A

NOTES:

1. - ALL DIMENSIONS ARE IN INCHES [MILLIMETERS]
2. - MATERIAL: STEEL / PLASTIC
3. - FINISH: BRIGHT ZINC PLATE / BLACK

A

B

C

D

E

F