

St. Tropez Deluxe Toilet Seat INSTALLATION INSTRUCTIONS

Swiss Madison®
well made forever

Prior to Installation:

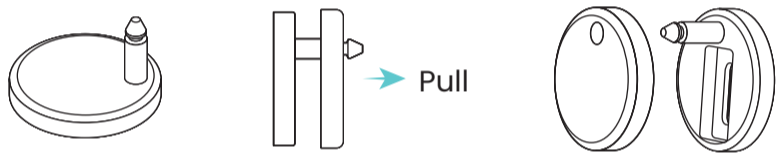
- Inspect product to ensure no damages have occurred while in shipping.
- The step-by-step guidelines in the installation instructions are a general reference. Should there be any discrepancies, Swiss Madison cannot be held liable. It is recommended to install all Swiss Madison products by hiring a licensed professional.
- Read installation and maintenance instructions thoroughly before installing. Be sure to use proper tools and always wear proper personal safety accessories for your protection.

Recommended Tools:

- Screwdriver

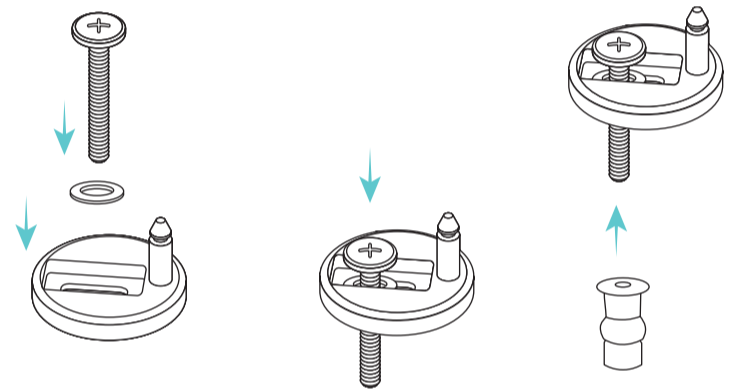
1. Disassemble

- Disassemble the cover cap and the hinge.



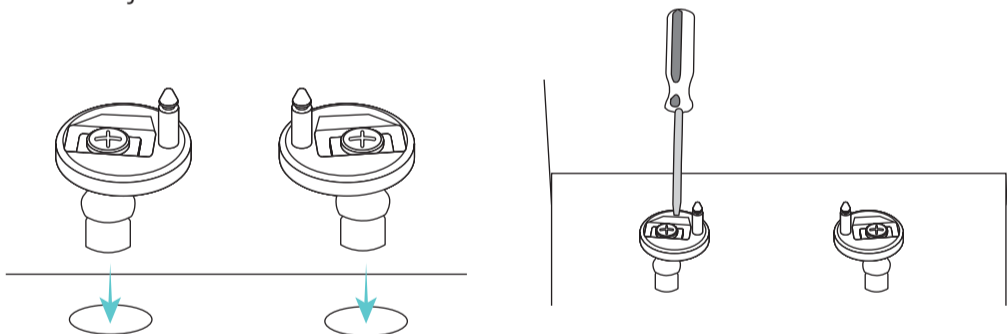
2. Construct Hinges

- Insert screw and nut into the hole on the hinge.
- Attach blind hole screw fixing to the bottom of screw.



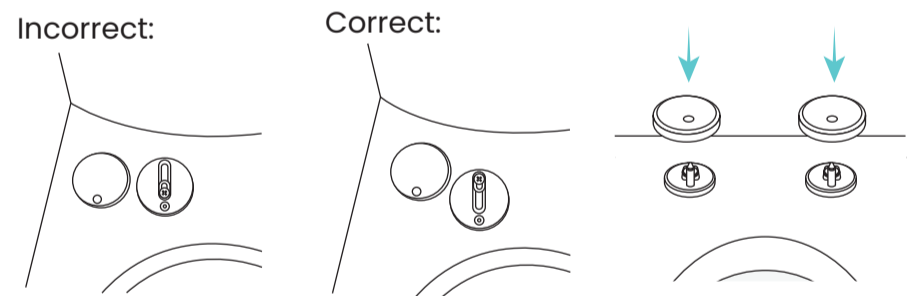
3. Attach Hinges

- Insert hinges with blind hole screw fixings attached into holes on toilet bowl.
- Lightly tighten hinges with a screwdriver too allow for later adjustment.



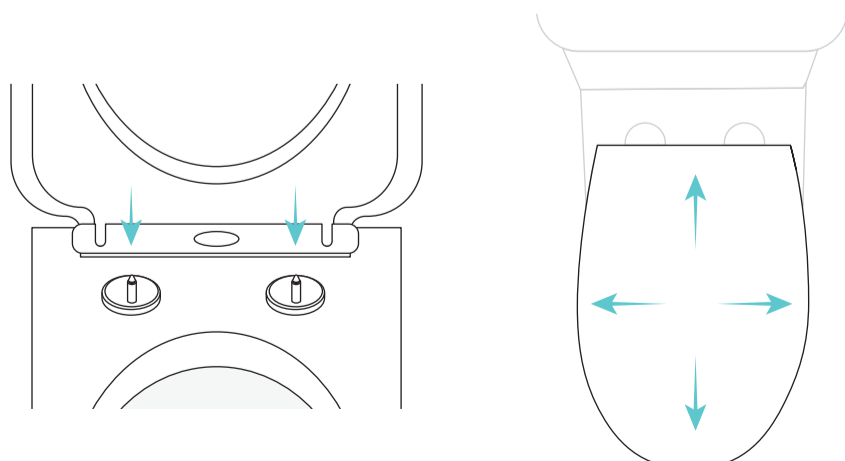
4. Adjust and Cover Hinges

- Be sure the hinge is all the way forward for proper seat fitting.
- Place the covers onto the hinges.



5. Adjust and Attach Seat

- Align seat to the hinges then firmly tighten the hinges.
- Attach seat to the secure hinges.
- Adjust seat to align to the bowl.



TOILET SEAT USAGE

- To remove, push middle button until you hear a "click", then pull straight up.
- To re-install, align hinge posts with reference marks on seat, then push down until you hear a "click".

