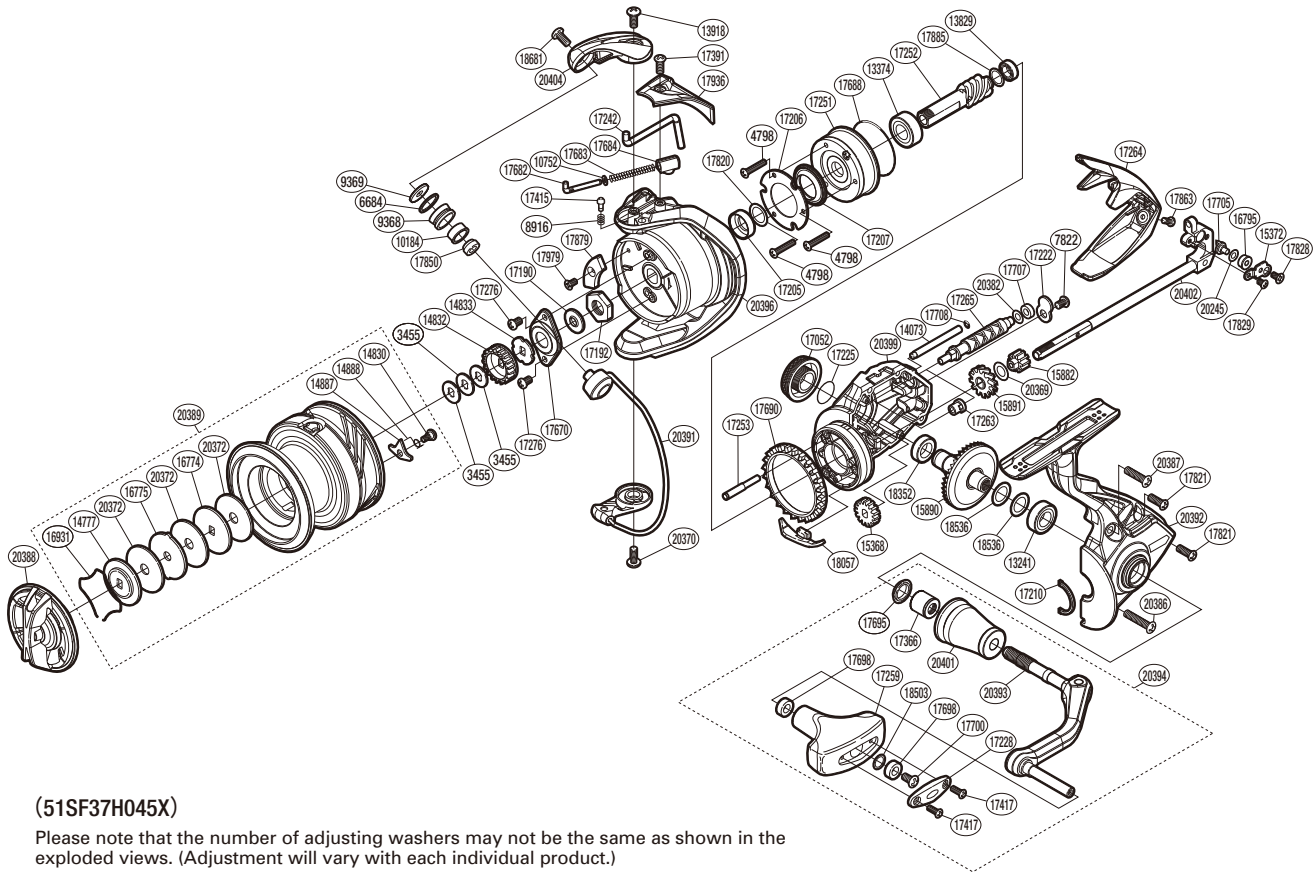


SHIMANO

SPHEROS SA-RB

SP4000XGSW



(51SF37H045X)

Please note that the number of adjusting washers may not be the same as shown in the exploded views. (Adjustment will vary with each individual product.)

Part No.	Description	Part No.	Description	Part No.	Description
RD 3455	Spool Washer	RD17206	Roller Clutch Reinforce	RD17828	Screw
RD 4798	Screw	RD17207	Roller Clutch Water Proof	RD17829	Screw
RD 6684	Line Roller Spacer	RD17210	Flange Water Proof	RD17850	Line Roller Collar
RD 7822	Screw	RD17222	Worm Shaft Retainer	RD17863	Screw
RD 8916	Click Spring	RD17225	O Ring	RD17879	Counter Weight A
RD 9368	Line Roller	RD17228	Handle Knob I.D. Plate	RD17885	Washer
RD 9369	Line Roller Washer	RD17242	Bail Trip Lever	RD17936	Bail Spring Cover
RD10184	Line Roller Bushing	RD17251	Roller Clutch Assembly	RD17979	Screw
RD10752	Bail Spring Guide A Support	RD17252	Pinion Gear	RD18057	Bail Trip Strike
RD13241	Ball Bearing	RD17253	Idle Gear B Shaft	RD18352	Bushing
RD13374	Ball Bearing	RD17259	Handle Knob	RD18503	Washer
RD13829	Ball Bearing	RD17263	Worm Bushing (Front)	RD18536	Washer
RD13918	Screw	RD17264	Rear Protector	RD18681	Screw
RD14073	Oscillating Guide A	RD17265	Worm Shaft	RD20245	Washer
RD14777	Key Washer	RD17276	Screw	RD20369	Washer
RD14830	Screw	RD17366	Handle Shaft Cover B	RD20370	Screw
RD14832	Spool Support A	RD17391	Screw	RD20372	Drag Washer
RD14833	Spool Support B	RD17415	Click Pin	RD20382	Washer
RD14887	Drag Click	RD17417	Screw	RD20386	Screw
RD14888	Drag Click Spring	RD17670	Rotor Nut Lock Plate	RD20387	Screw
RD15368	Idle Gear	RD17682	Bail Spring Guide	RD20388	Drag Knob Assembly
RD15372	Oscillating Pawl Cover	RD17683	Bail Spring	RD20389	Spool Assembly
RD15882	Idle Gear B Small	RD17684	Bail Spring Guide B	RD20391	Bail Assembly
RD15890	Drive Gear Assembly	RD17688	O Ring	RD20392	Side Cover Assembly
RD15891	Idle Gear B Large	RD17690	Friction Ring	RD20393	Handle Shank Assembly
RD16774	Key Washer	RD17695	Handle Shaft Seal	RD20394	Handle Assembly
RD16775	Eared Washer	RD17698	Handle Knob Bushing	RD20396	Rotor
RD16795	Oscillating Slider Bushing	RD17700	Screw	RD20399	Body
RD16931	Drag Washer Retainer	RD17705	Oscillating Pawl	RD20401	Handle Shaft Cover
RD17052	Handle Screw Cap	RD17707	Worm Bushing (Rear)	RD20402	Main Shaft Assembly
RD17190	Bearing Water Proof	RD17708	O Ring	RD20404	Bail Arm
RD17192	Rotor Nut	RD17820	Washer		
RD17205	Rotor Ring	RD17821	Screw		