



## RESIDENTIAL GAS REPLACEMENT PARTS LIST

### Energy Saver (M-I) Models



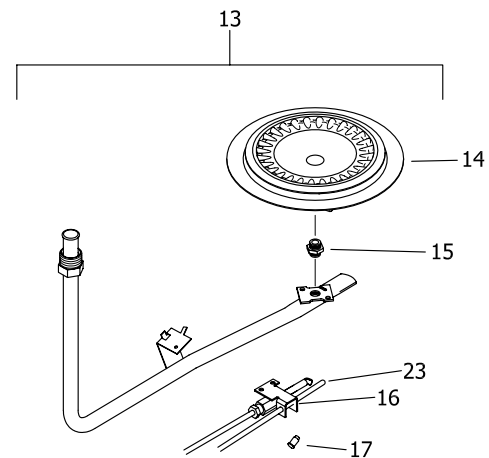
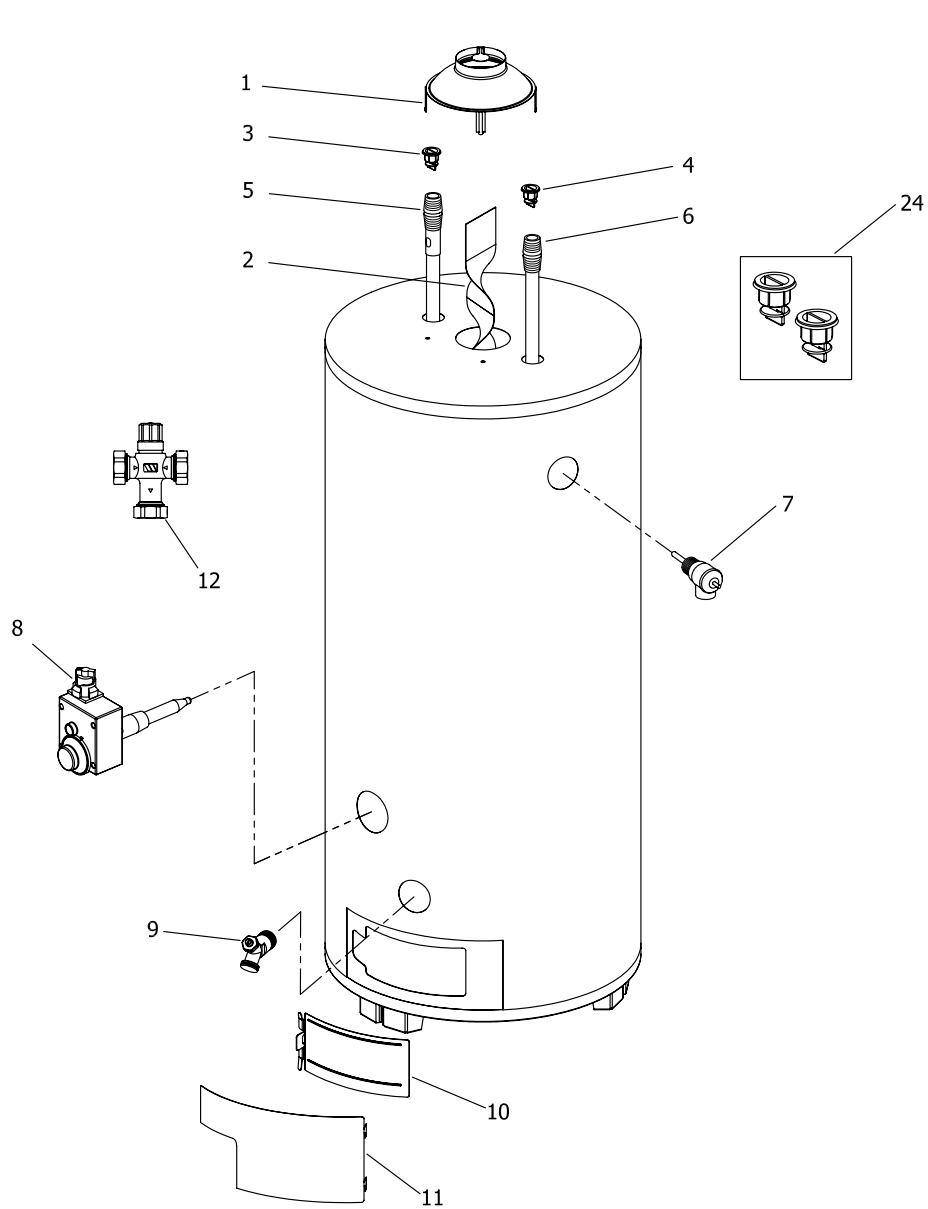
**Dash Ten, Eleven,  
Twelve or Thirteen  
(-10, -11, -12, -13) Series**

Includes Hydrojet®  
Total Performance System

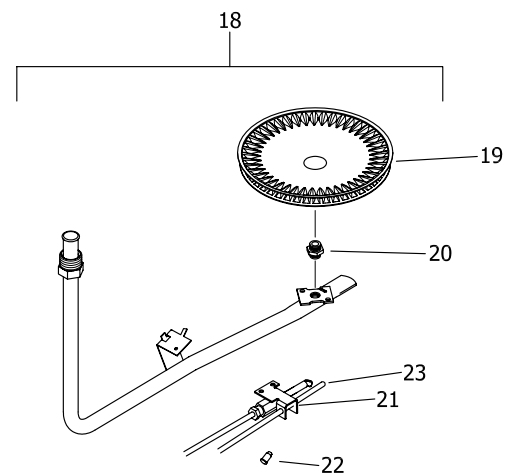
***Effective: July 31, 2008  
ECO 7291-2***

**NOTE: BOTH MODEL AND SERIAL  
NUMBERS ARE REQUIRED FOR  
ORDERING REPLACEMENT PARTS**

Dimensions and specifications  
subject to change without notice.



NATURAL GAS (BN) BURNER ASSEMBLY



LP GAS (SX) BURNER ASSEMBLY

LP GAS (SX) BURNER ASSEMBLY TO REPLACE LP GAS (CX) BURNER ASSEMBLY  
ON ALL MODELS EXCEPT 75 & 100 GAL. MODELS

1- Locate and identify your part within the illustration

2- In the following pages, find the column for your model number and the corresponding part number

3- If highlighted in yellow you can click the part number and order.  
If not highlighted enter the number in the site search box or use the contact us form

Item	Description	Model	Model	Model
		MI30T*(EN,BN,LN,CX)(10,11)	MI30S*(EN,BN,LN,CX)(10,11)	MI303T*(EN,BN,LN,CX)(10,11)
1	Draft Diverter	243-45787-00	243-45787-00	243-45787-00
2	Flue Baffle	243-44639-00	243-45226-00	243-45224-00
3	Heat Trap Insert (Outlet)	239-45167-00	239-45167-00	239-45167-00
4	Heat Trap Insert (Inlet)	239-45073-00	239-45073-00	239-45073-00
5	Hot Water Outlet Anode Magnesium ▲	224-47776-07	224-32731-82	224-32731-82
	Hot Water Outlet Anode Aluminum ▲	224-32999-30	224-32999-31	224-32999-30
	Hot Water Outlet Anode A420 Aluminum ▲	224-45147-01	224-45147-03	224-45147-01
6	Cold Water Inlet Diptube Polypropylene ▲▲	229-39625-07	229-39625-05	229-39625-07
	Cold Water Inlet Diptube Polysulfone (NC Code) ▲▲	229-39628-07	229-39628-05	229-39628-07
7	T&P Relief Valve	230-32920-01	230-32920-01	230-32920-01
8	Gas Valve Natural Gas	265-46181-01	265-46181-01	265-46181-01
	Gas Valve LP Gas	265-46182-01	265-46182-01	265-46182-01
9	Brass Drain Valve	265-42351-02	265-42351-02	265-42351-02
10	Inner Door Complete (Sliding)	243-36739-02	243-36739-02	243-36739-02
11	Outer Door	243-41061-00	243-41061-00	243-41061-00
12	ASSE Approved Mixing Valve (Optional)	239-43740-01	239-43740-01	239-43740-01
	<b>Natural Gas (BN) Burner Assembly</b>	<b>(Replacement for Natural Gas EN &amp; LN Burner Assembly)</b>		
13	Nat. Gas Burner Assembly Complete**	265-47439-01-36	265-47439-03-38	265-47439-01-32
14	Nat. Gas (BN) Burner	228-42506-00	228-42506-00	228-42506-00
15	Nat. Gas (BN) Main Burner Orifice (0ft to 2000ft)	234-41034-36	234-41034-38	234-41034-32
	Nat. Gas (BN) High Altitude (2001ft to 5000ft)	234-41034-39	234-41034-41	234-41034-36
	Nat. Gas (BN) High Altitude (5001ft to 8000ft)	234-41034-41	234-41034-43	234-41034-38
	Nat. Gas (BN) High Altitude (8001ft & above)	234-41034-43	234-41034-43	234-41034-38
16	Nat. Gas Pilot Assembly	233-40248-05	233-40248-05	233-40248-05
17	Nat. Gas Pilot Orifice	234-33098-01	234-33098-01	234-33098-01
	<b>LP Gas (SX) Titanium Stabilized Stainless Steel Burner Assembly</b>	<b>(Replacement for LP Gas CX Cast Iron Burner)</b>		
18	LP Gas Burner Assembly Complete**	265-47440-01-60	265-47440-03-54	265-4740-01-52
19	LP Gas (SX) Burner	228-46964-00	228-46964-00	228-46964-00
20	LP Gas (SX) Main Burner Orifice (0ft to 2000ft)	234-47064-60	234-47064-54	234-47064-52
	LP Gas (SX) High Altitude (2001ft to 5000ft)	234-47064-54	234-47064-54	234-47064-53
	LP Gas (SX) High Altitude (5001ft to 8000ft)	234-47064-54	234-47064-54	234-47064-54
	LP Gas (SX) High Altitude (8001ft & above)	234-47064-54	234-47064-54	234-47064-54
21	LP Gas Pilot Assembly	233-40261-03	233-40261-03	233-40261-03
22	LP Gas Pilot Orifice	234-46502-01	234-46502-01	234-46502-01
23	Thermocouple	233-46501-24	233-46501-24	233-46501-24
24	Kit-Heat Trap Insert	265-45420-00	265-45420-00	265-45420-00
--	Kit-LP to NAT conversion (0ft to 2000ft)	265-45712-01	265-45712-02	265-45712-03
--	Kit-LP to NAT conversion (2000ft to 5000ft)	265-45712-13	265-45712-14	265-45712-15

\*All warranties

\*\*Ordering a complete burner assy may increase delivery time. Please order the specific component req'd for the quickest delivery

▲ Order with item 3

▲▲ Order with item 4