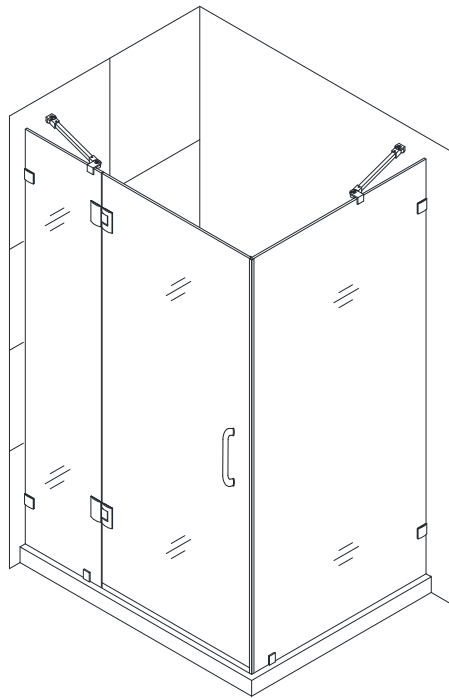


# ANZZI™

---

## SHOWER DOOR INSTALLATION & CARE GUIDE



For models:  
SD-AZ03-01



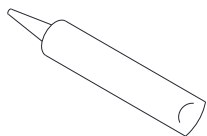
***Please Note: This is a two person job. The glass doors are extremely heavy and it is highly recommended to use professional installers.***

For any questions or assistance simply call 1-844-44-ANZZI or visit us at [www.ANZZI.com](http://www.ANZZI.com)

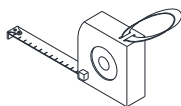
## Preparation

1. After opening all boxes and packages, read this introduction carefully. Check that all of the needed parts are included in the package by marking all the components on the "Detailed Diagram of Shower Door Components". Examine boxes and packages for shipping damage. If the unit has been damaged, has a finishing defect, or is missing parts, please contact our customer support department within 5 business days of the delivery date. Please note that **We will not replace any damaged products or missing parts free of charge after 5 business days or if the products has been installed.** Feel free to contact us if you have any questions..
2. **Please note that you should consult your local building codes with questions on installation compliance standards. Building and plumbing codes may vary by location, and we are not responsible for code compliance standards for your project and will not accept any returns.**
3. Prior to installation, ensure that the installation surface is leveled and solid and will be able to support the total weight of the unit. Also, make sure the walls are at right angles. Irregular installation surface level or improper angle of side walls will result in serious problems for your installation. Please, note that some adjustments and drilling might be necessary during the installation process.
4. This unit has to be installed against a finished floor and walls.
5. **Please, NOTE! This door does not have out-of-plumb adjustment. Make sure your walls are at right angles.**

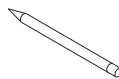
## Tools Required



Caulk



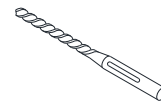
Tape Measure



Pencil



Phillips Screwdriver



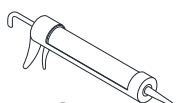
Drill bit (Ø 5/16")



Drill bit (Ø 1/8")



Level



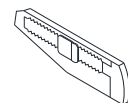
Caulk Gun



Electric Drill

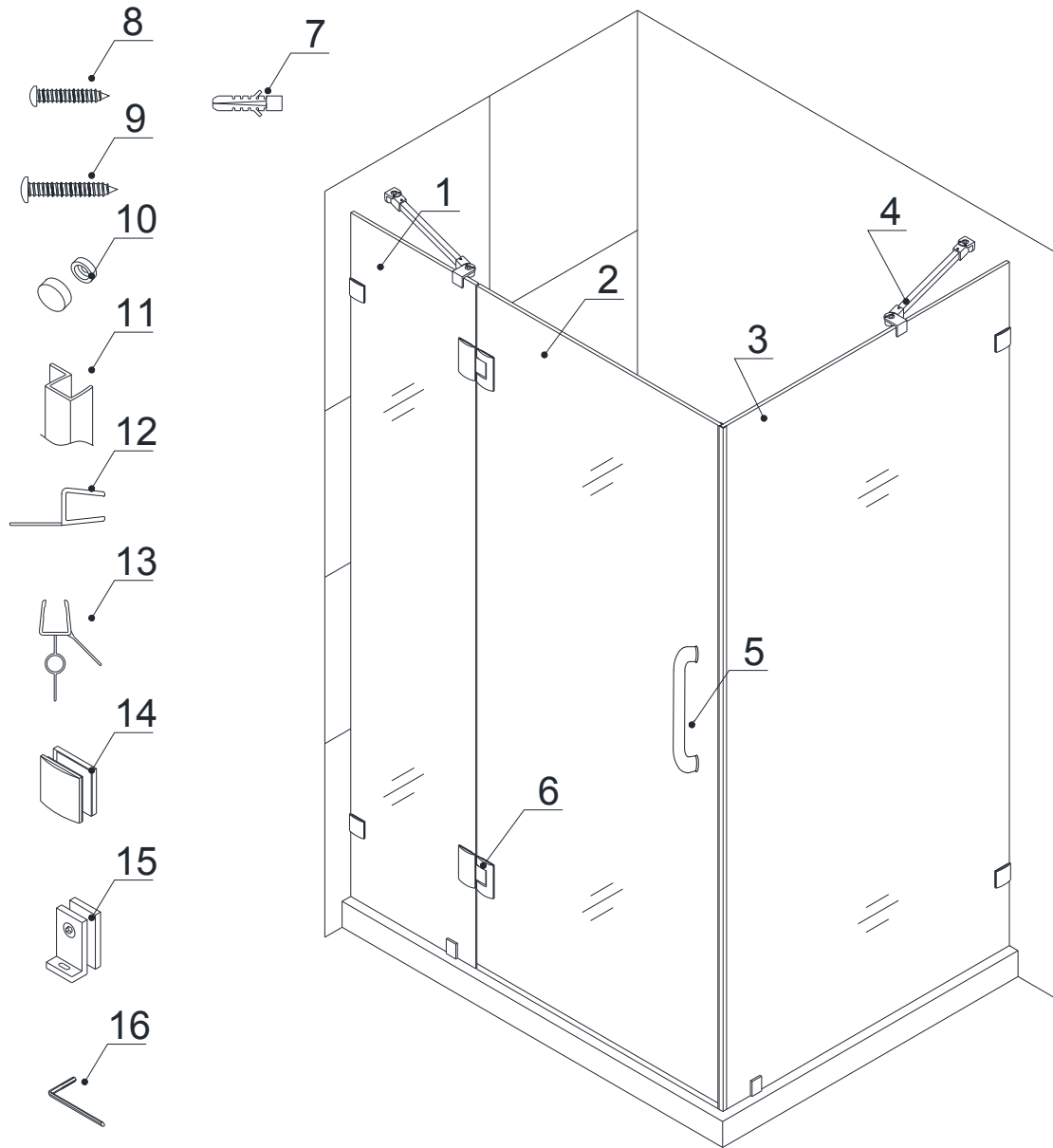


Hammer



Knife

## Detailed Diagram of Shower Enclosure Components



### Parts List

01	Stationary glass panel	1pc	09	Big head screw ST4.2×55	6pcs
02	Glass door	1pc	10	Decorative cover	2pcs
03	Return glass panel	1pc	11	Side anti-water strip	1pc
04	Support bar	2pcs	12	Flanged anti-water strip	1pc
05	Handle	1pc	13	Bottom anti-water strip	1pc
06	Hinge	2pcs	14	Wall bracket	4pcs
07	Wall anchor	6pcs	15	Bottom bracket	2pcs
08	Round head screw ST4.2×25	2pcs	16	4mm hex wrench	1pc

**NOTE:** Unpack your unit carefully and inspect it. Lay it out and identify all parts using parts diagram and part list in your manual as a reference. Before discarding the carton, check for small hardware bags that tend to fall to the bottom of the box. If any parts are damaged or missing, please contact us for replacement.

**NOTE:** Retain these installation instructions for future reference.

## Shower Enclosure Installation

1. Assemble the **Wall brackets (14)** onto the **Stationary glass panel (01)** and the **Return glass panel (03)**.

See Fig. 1 for details.

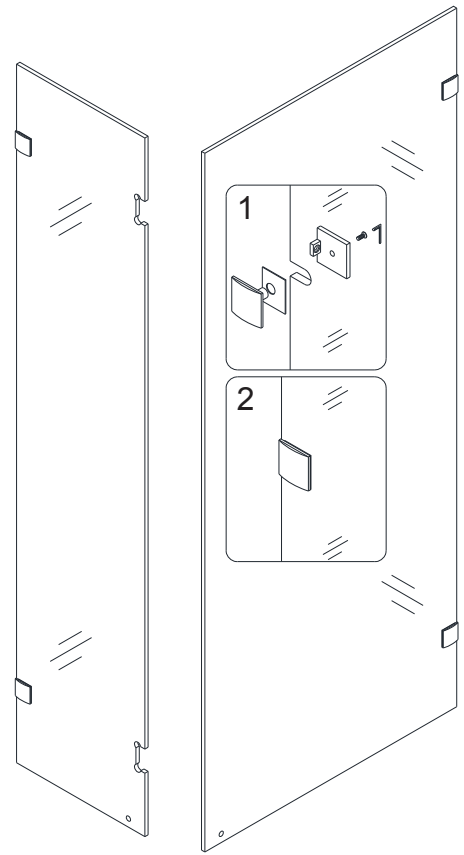


Fig. 1

2. Draw the line on the wall according to your Shower Enclosure model size.

Model No	W1	W2
SD-AZ03-01BN	34 5/16"	46 5/16"
SD-AZ03-01CH	34 5/16"	46 5/16"

Place the assembled **Stationary glass panel (01)** and **Return glass panel (03)** on the shower base, butt them up against the wall and level them vertically.

See Fig. 2 for details.

**Note:** Make sure the **Glass panels** are absolutely vertical.

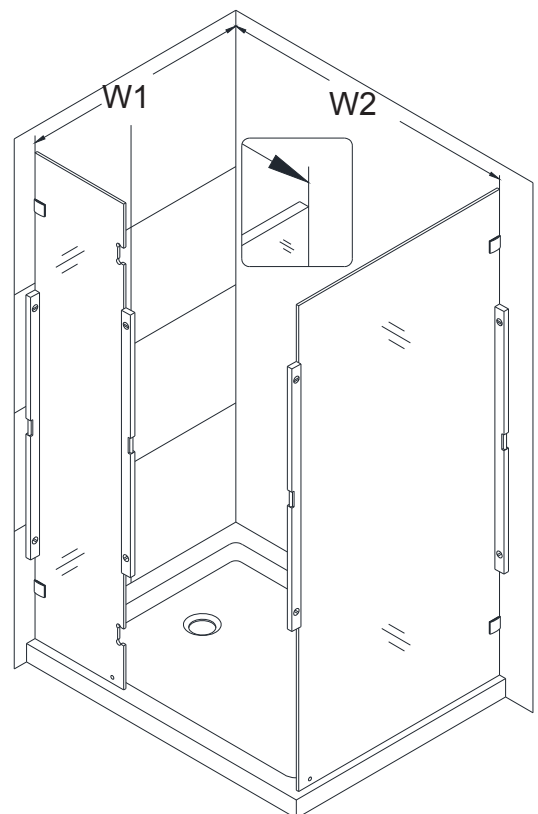


Fig. 2

3. Make sure the distance between the Glass panels is 23 7/8".

See Fig. 3 for details.

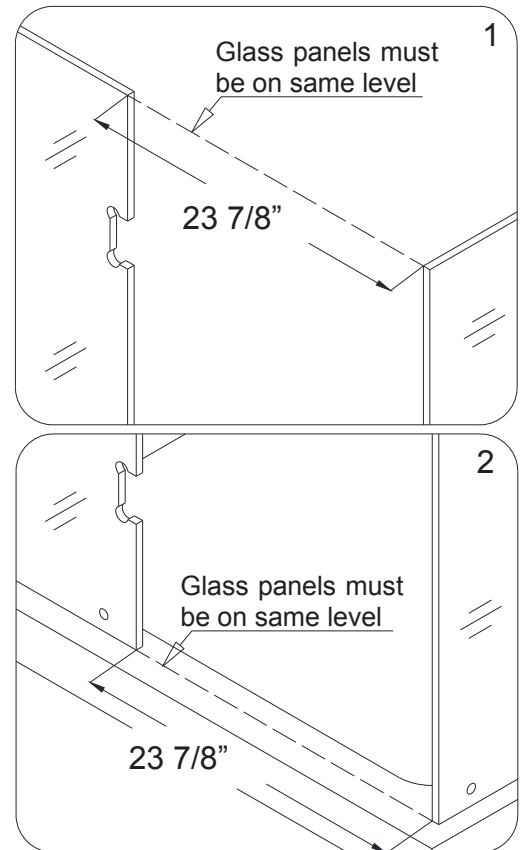


Fig. 3

4. Outline the position of the **Wall brackets (14)** on the wall.

Set the **Stationary glass panel (01)** and **Return glass panel (03)** aside.

Remove the **Wall bracket** from the **Glass panels** and by placing it back to the outlined position mark the drilling holes on the wall.

Drill the holes in the wall using **Ø 5/16"** drill bit and insert the **Wall anchors (07)** for the **Wall brackets**.

Fasten the **Wall brackets** to the wall using the **Big head screw ST4.2×55 (09)**.

See Fig. 4 for details.

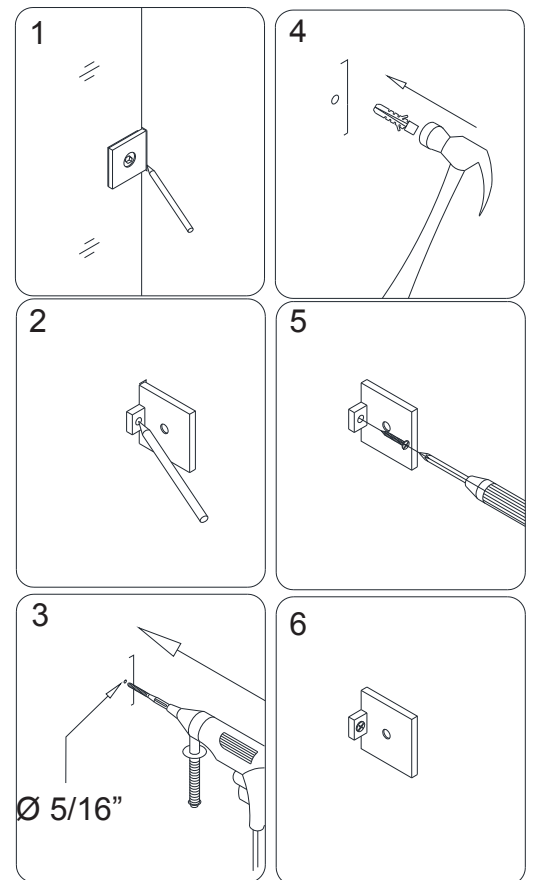


Fig. 4

- Place the **Stationary glass panel (01)** and **Return glass panel (03)** back into the designated position, assemble the **Wall brackets (14)** and tighten the bolts.

See Fig. 5 for details.

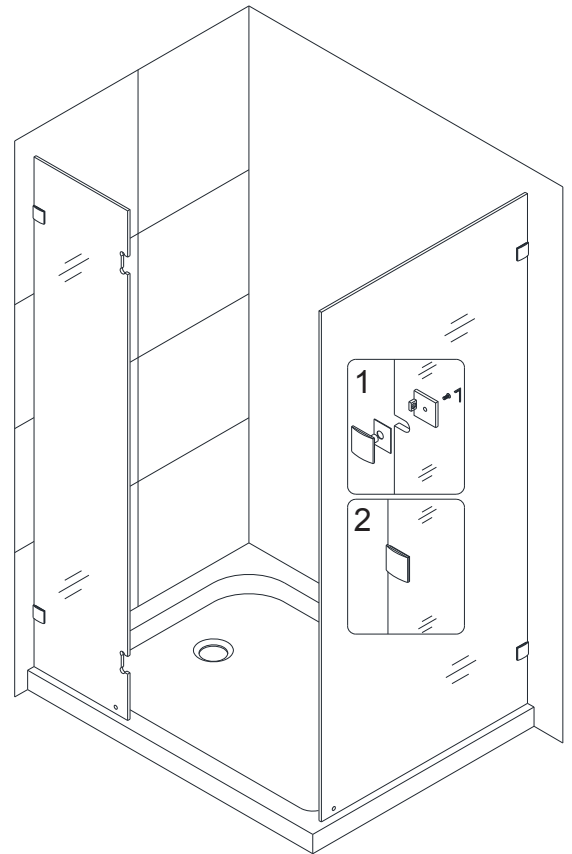


Fig. 5

- Locate the **Support bar (04)**.

Adjust the bar to a proper position on the glass and the wall. Level it horizontally. Hold it firmly and outline the bracket's position on the wall. Remove the **Support bar** and detach the wall bracket from it. Place the wall bracket against its outlined position on the wall and mark the drilling hole.

Drill the hole using  $\text{Ø } 5/16''$  drill bit, insert the **Wall anchor (07)** and fasten the wall bracket to the wall with the **Big head Screw ST4.2×55 (09)**. Attach the **Support bar** to the wall as shown on Fig. 6.5 and tighten the set screws and the glass holding screw to secure the glass.

See Fig. 6 and Fig. 7 for details.

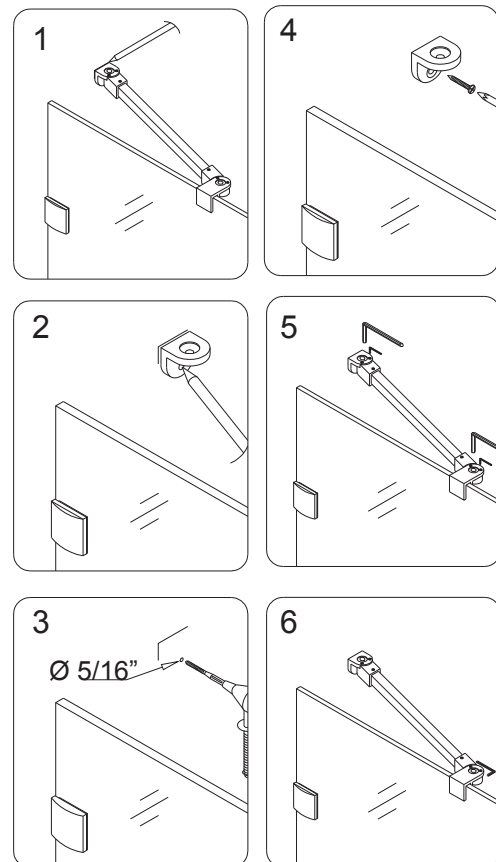


Fig. 6

7. Repeat the Step 6 to mount the second support bar.

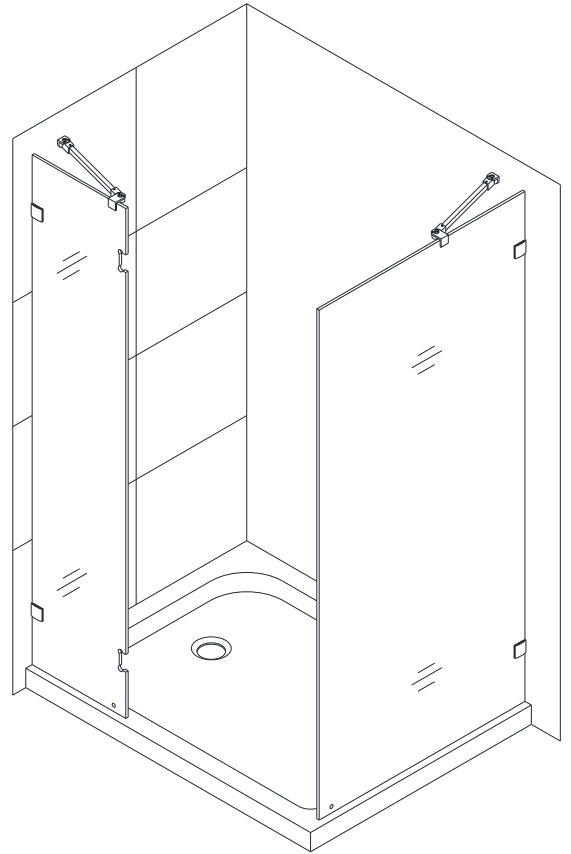


Fig. 7

8. Attach the **Hinges (06)** to the **Stationary glass panel (01)** with the decorative bolts facing inside the shower. Bring the **Glass door (02)** into the Shower base between the two stationary glasses.

Level up the **Glass door** next to the **Stationary glass panel** and fasten the hinges on the **Glass Door**. Make sure the top edges of the **Glass door** and both **Glass panels** are aligned.

See Fig. 8 and Fig. 9 for details.

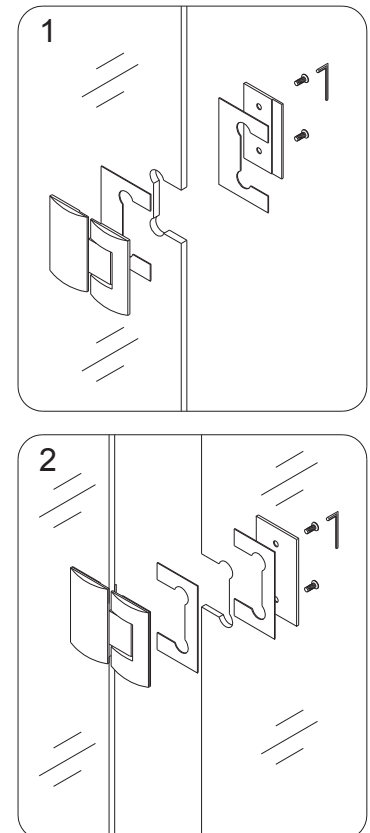


Fig. 8

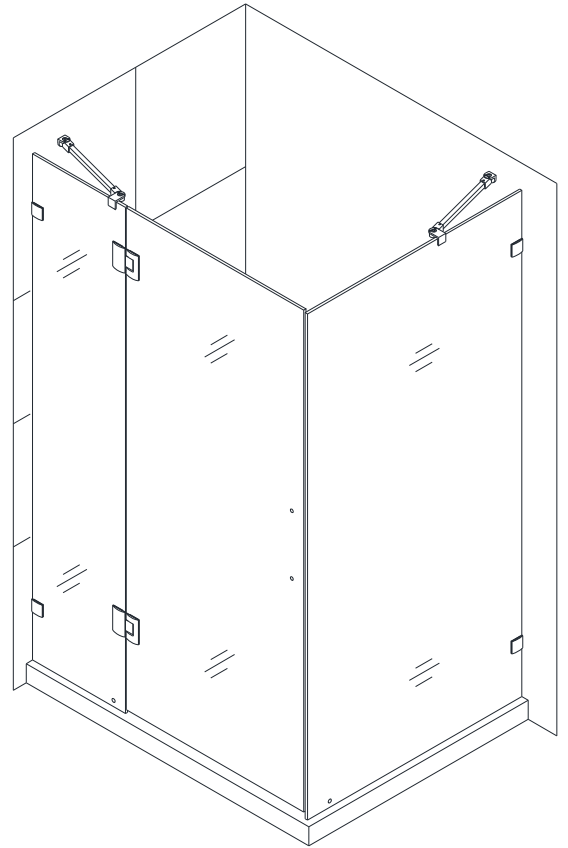


Fig. 9

9. Get three measurements:
- from the top edge of the **Glass door (02)** to the top edge of the upper **Hinge (06)**;
  - from the bottom edge of the upper **Hinge** to the top edge of the bottom **Hinge**;
  - from the bottom edge of the bottom **Hinge** to the surface of the shower base
- Cut the **Flanged anti-water strip (12)** according to the measurements.
- Press the cut strips on to the vertical edge of the **Glass door**. Press the **Side anti-water strip (11)** on the vertical edge of the **Return glass panel (03)** with the flange facing the door.
- Press the **Bottom anti-water strip (13)** on the bottom edge of the Glass door.
- Install the **Handle (05)** to the **Glass door**.

See Fig. 10 for details.

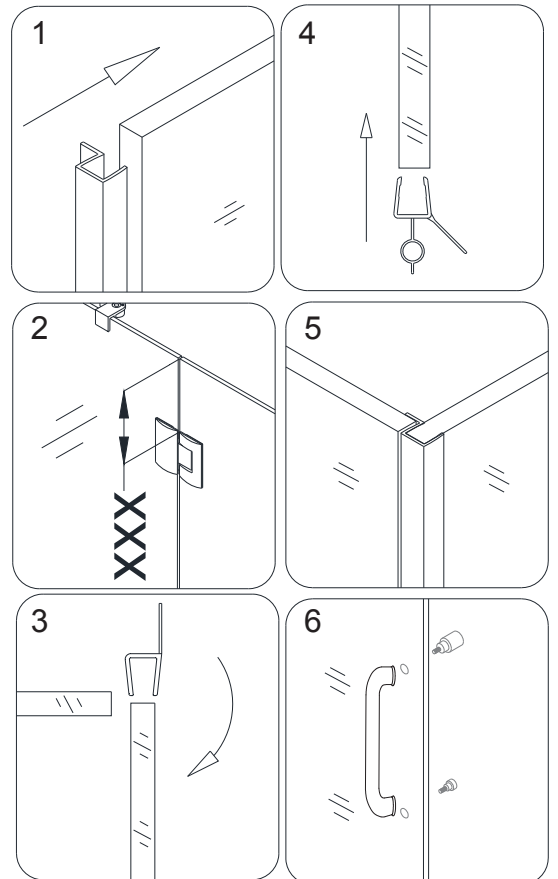


Fig. 10



10. After final adjustment is complete secure both **Stationary glasses**.

Assemble the **Bottom brackets (15)** onto the bottom of the **Stationary glasses**.

Drill the holes in the Shower base through the holes in the flange of the **Bottom brackets** using **Ø 1/8"** drill bit. Fasten the bottom brackets with the **Round head screw ST4.2×25 (08)**.

Cover the screw with the **Decorative covers (10)**.

See Fig. 11 for details.

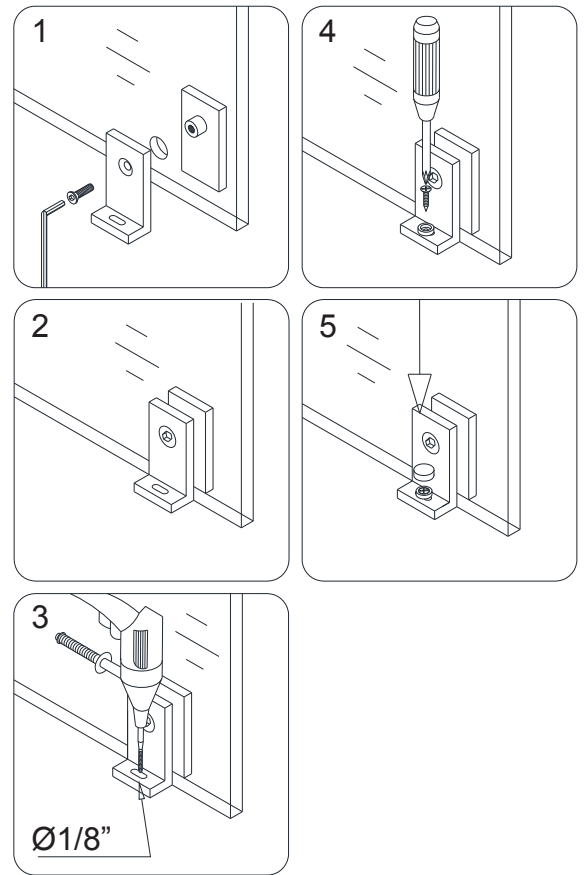


Fig. 11

11. Apply the sealant along the connection of the stationary glasses with the walls and the Shower base.

See Fig. 12 for details.

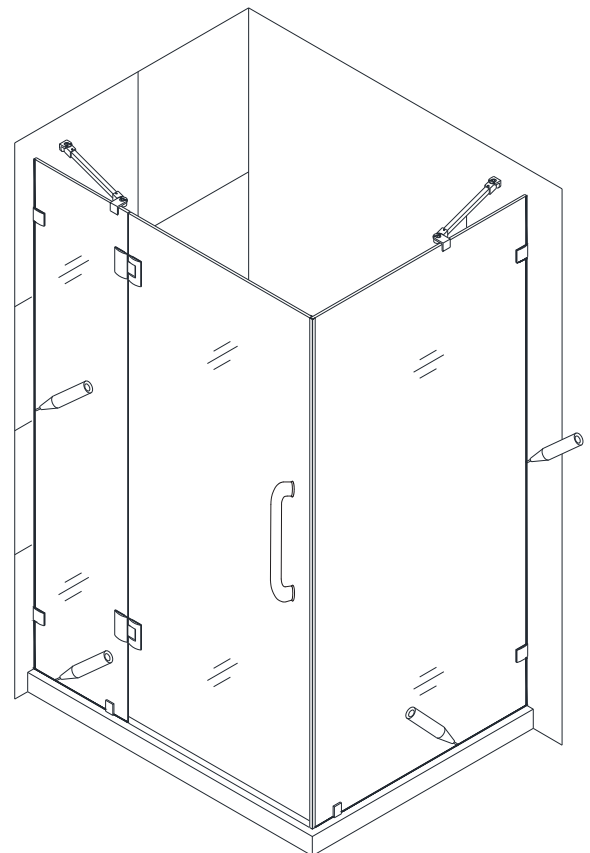


Fig. 12



**24** HOURS  
HEURES

**IMPORTANT WARNING: DO NOT USE THE SHOWER ENCLOSURE IN 24HOURS, SO THAT SILICONE GEL CAN GET TOTALLY DRY.**

### **Product Maintenance**

To ensure long lasting life for your acrylic back walls, wipe them off after each use with a soft cloth. To clean the acrylic back walls use non-abrasive sprays or cream based cleaners. Never use abrasive cleansers, metal brushes or scrapers that could scratch or dull the surface.

To ensure long lasting life for your glass shower products, wipe them off after each use with a soft cloth. Rinse and wipe off the glass using either soft cloth or squeegee to prevent soap buildup. Never use abrasive cleaners and cleaning products that contain scouring agents as this may scratch the surface. Never use bristle brushes or abrasive sponges.

To ensure a long lasting hardware finish, wipe off the metal parts after each use with a soft cloth. Do not use abrasive cleaners or cleaning products containing ammonia, bleach or acid. If accidentally used, rinse the surface as soon as possible to prevent finish peeling or corrosion. After cleaning the shiny finishes, rinse thoroughly and wipe dry with soft cloth. Clean stainless steel surfaces at least once a week. When applying stainless steel cleaner or polish, work with (not against/across) the grain. Never use an abrasive sponge or cloth, steel wool or wired brushes.