








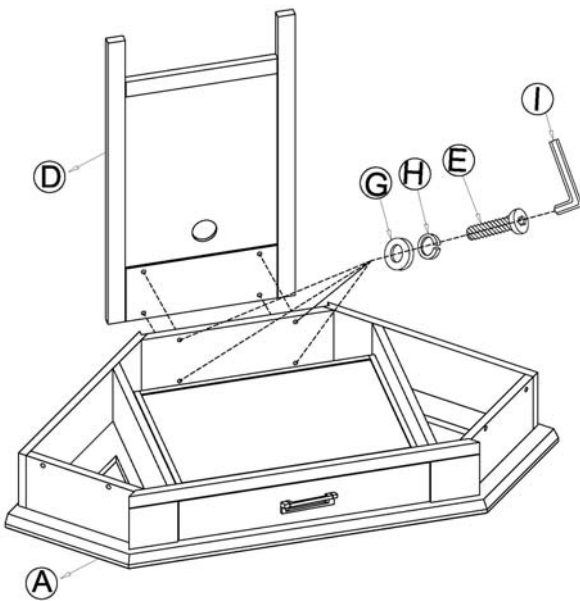


Assembly Instructions, #11230 Ironcraft Corner Computer Desk

A: Top Panel	
B: (2) Side Frames	
C: Shelf	
D: Back Frame	
E: (8) Long Bolts	
F: (4) Short Bolts	
G : (12) Flat Washers	
H: (12) Lock Washers	
I : Allen Wrench	

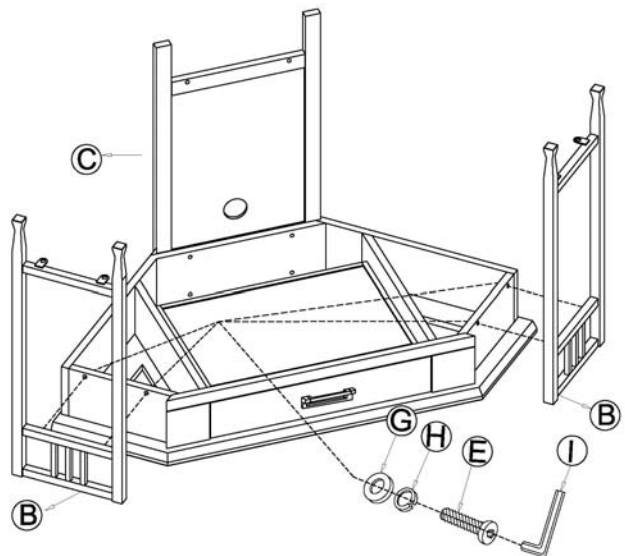
Step 1

Fasten the back frame with (2) long bolts, flat washers and lock washers using the Allen wrench. Do not tighten.



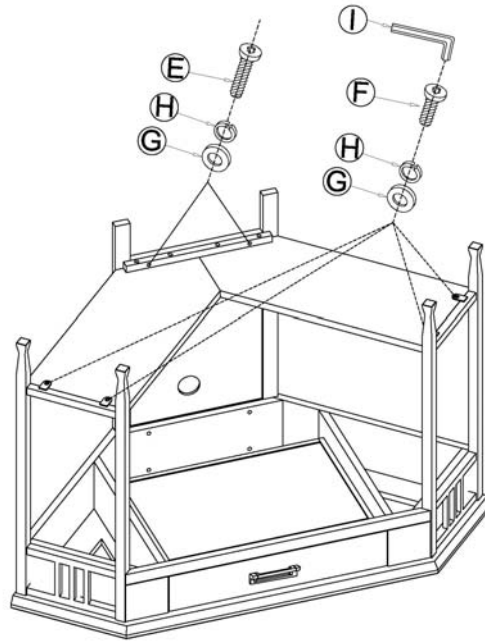
Step 2

Fasten two side frames with (4) long bolts, flat washers and lock washers. Do not tighten.



Step 3

Fasten the shelf to the side frames with (4) short bolts and the back frame with (2) long bolts and flat washers and lock washers, tighten. Now tighten all bolts in step 1.



Step 4

Adjust levelers on the bottom of leg frames if needed.

