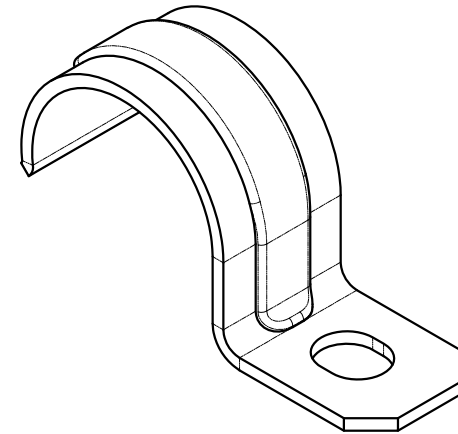
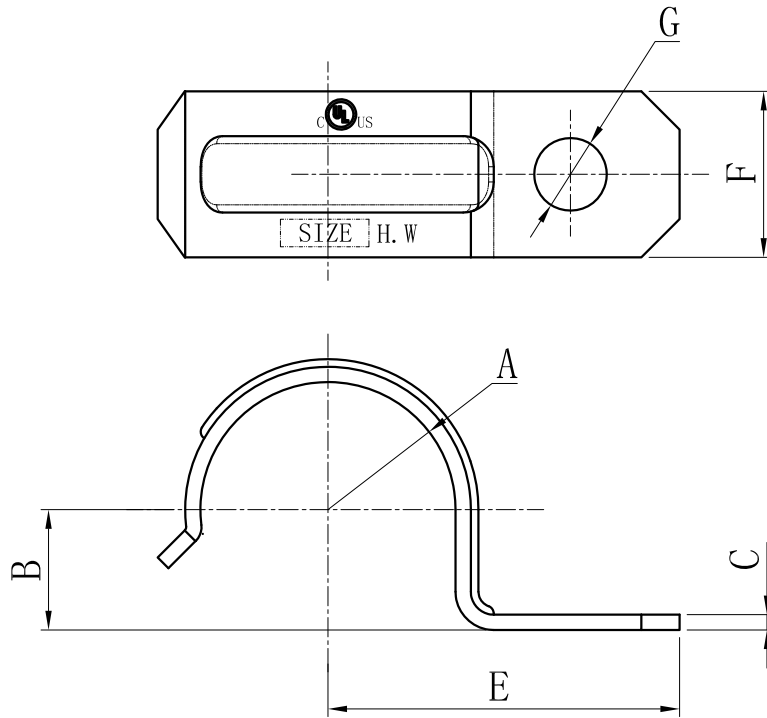


SIDES	BOTTOM	P/N	SIZE	A	B	C	E	F	G
		OHSR-250S	2 1/2"	R36.50[1.437]	35.56[1.400]	3.81[0.150]	84.12[3.312]	31.75[1.250]	14.27[0.562]
		OHSR-300S	3"	R44.45[1.750]	43.18[1.700]	3.81[0.150]	92.08 [3.625]	31.75[1.250]	14.27[0.562]
		OHSR-350S	3 1/2"	R50.80[2.000]	49.53[1.950]	4.57[0.180]	101.60[4.000]	31.75[1.250]	14.27[0.562]
Material: C.R.S, Zinc Plated		OHSR-400S	4"	R57.15[2.250]	55.88[2.200]	4.57[0.180]	107.95[4.250]	31.75[1.250]	14.27[0.562]



DESCRIPTION
TRADE REFERENCE TERMS

This data sheet is for reference only .GARVIN INDUSTRIES reserves the right to make changes to the design without prior notice.

STANDARD PACKING	GARVIN INDUSTRIES		
	TITLE ONE-HOLE STRAPS		
	SIZE A4	DWG NO. OHSR-250-400S	REV
	DATA SHEET		