



Z6956-XL

Deck-Mounted Battery-Powered Sensor Faucet

TAG _____

Product Description

Designed for modern commercial restrooms, Cumberland Series™ faucet delivers a superior user experience in both form and function. Crafted by world-class industrial designers, this faucet maintains a sleek and simple design that can be paired with a matching soap dispenser for an automatic, easy to install and user-friendly handwashing solution.

Engineering Specification

ADA compliant, battery powered, chrome plated sensor faucet for retrofit and new construction.

Product features include:

- Occupant Detection
 - Infrared convergence-type proximity sensor
 - 30 second time-out feature
- Spout module
 - Standard chrome-plated cast brass
 - Three alternate finishes
- In-line filter
- 4 "AA" batteries

Compatibility

Soap Dispenser:



Z6956-SD

Conforms to:

- ADA Compliant
- ASME A112.18.1/CSA B125.1
- cUPC
- Lead Free Compliant
- Texas Accessibility Standard (TAS)



WARNING: Cancer and Reproductive Harm - www.P65Warnings.ca.gov

ADVERTENCIA: Cáncer y daño reproductivo - www.P65Warnings.ca.gov

AVERTISSEMENT: Cancer et effets néfastes sur la reproduction - www.P65Warnings.ca.gov

Meets the American Disabilities Guidelines and ANSI A117.1 requirements when installed according to these requirements. In Canada - Consult local codes and standards.

Zurn Industries, LLC
511 West Freshwater Way, Milwaukee, WI U.S.A. 53204 · Ph. 1-800-997-3876, Fax 919-775-3541
In Canada | Zurn Industries Limited
7900 Goreway Drive Unit 10, Brampton, Ontario L6T5W6 · Ph. 905-405-8272, Fax 905-405-1292
www.zurn.com



Flow Control Option

- E* 1.5 gpm/5.7 Lpm Vandal-Resistant Aerator
- M 0.35 gpm/1.3 Lpm Vandal-Resistant Non-Aerated
- N 0.5 gpm/1.9 Lpm Vandal-Resistant Laminar Flow

Accessories

- MT Mixing Tee
- MV Temperature Mixing Valve
- SH Supply Hoses for Mixing Valve
- TMV Thermostatic Mixing Valve for Multiple Faucets
- TMV-1 Thermostatic Mixing Valve for Single Faucets

Alternate Finishes

- BN Brushed Nickel
- PN Polished Nickel
- PB Polished Brass

* This product should be used with a WaterSense labeled counterpart with a compatible flush volume to ensure that the entire system meets the requirements for water efficiency and performance.

Architectural/Engineering Approval

The information contained in this document is subject to change without notice. Please contact Zurn for most up to date information.

Rev.
Date: 11/15/2017
C.N. No. SAN007792
Prod. | Dwg. No. 317229



Z6956-XL

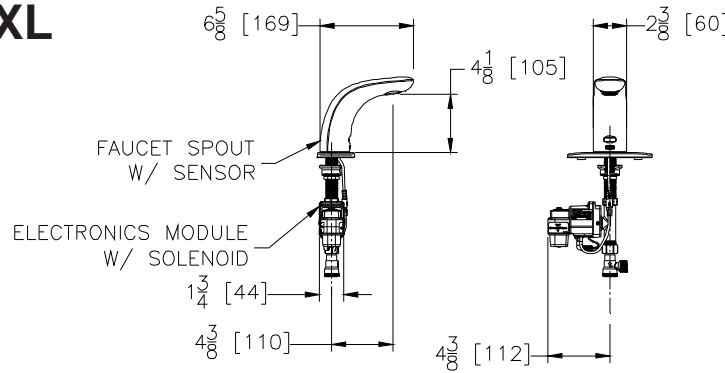
Deck-Mounted Battery-Powered Sensor Faucet

TAG

TYPICAL Z6956-XL

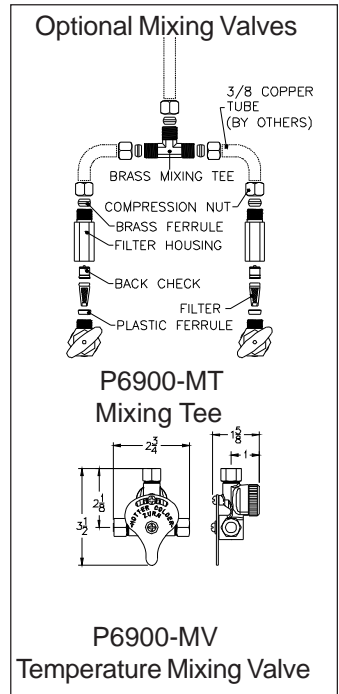
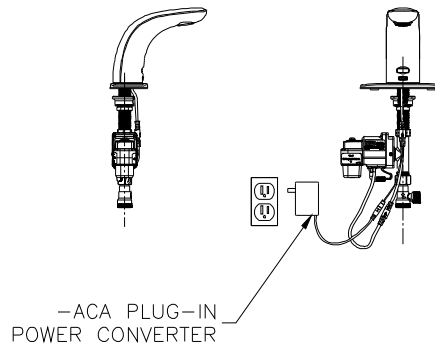
AquaSense® Battery Powered Faucet

NOTE: Recommended through hole diameter to properly mount the spout/shank is 1-1/8" to 1-1/4".



TYPICAL Z6956-XL-ACA

AquaSense® Plug-In Powered Faucet



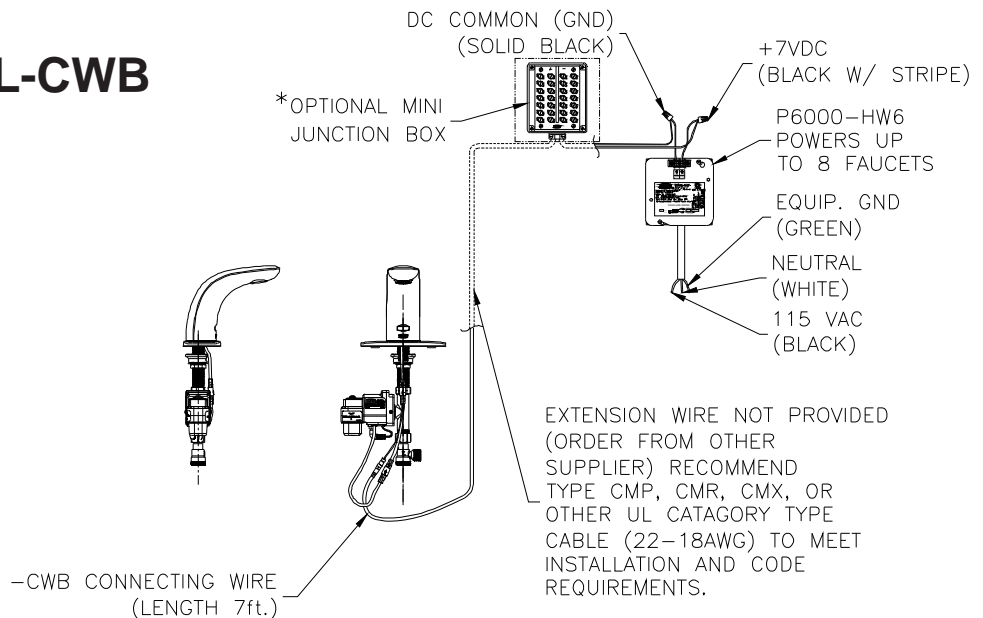
TYPICAL Z6956-XL-CWB

AquaSense® Hardwire Powered Faucet

Optional:

* Optional -MJ mini junction box for connecting up to 8 faucets

NOTE: MUST USE EITHER ZURN P6000-HW6 HARDWIRE POWER CONVERTER OR ZURN P6000-ACA PLUG-IN POWER CONVERTER TO ENSURE PROPER OPERATION. USING A POWER CONVERTER OTHER THAN ZURN MAY RESULT IN OPERATION MALFUNCTION OR UNIT FAILURE.



Meets the American Disabilities Guidelines and ANSI A117.1 requirements when installed according to these requirements. In Canada - Consult local codes and standards.