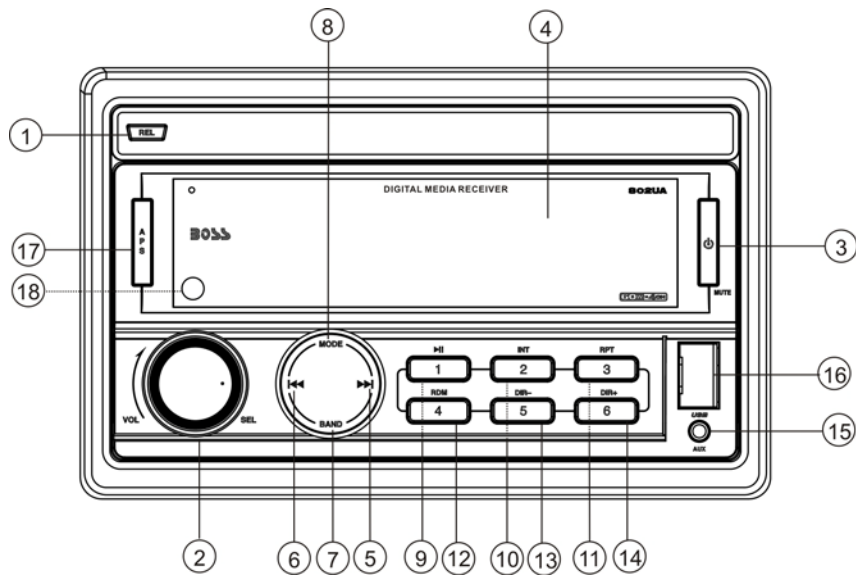
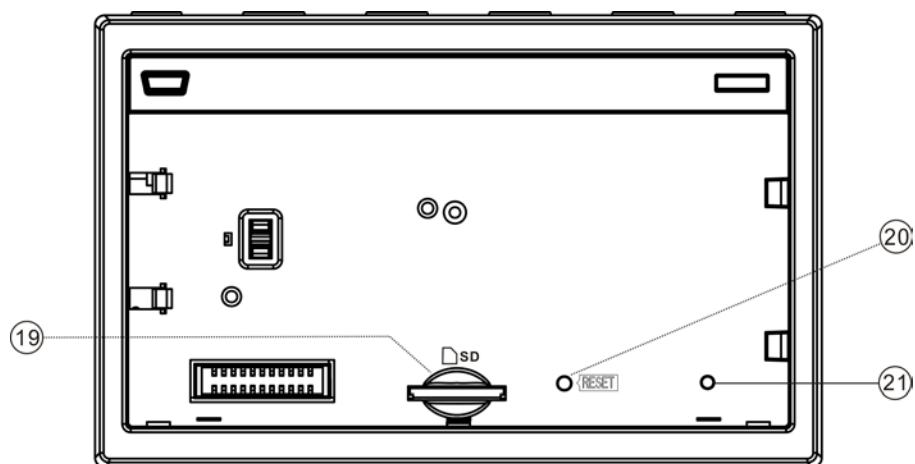


## DESCRIPTION OF CONTROLS ON THE FRONT CONTROL PANEL



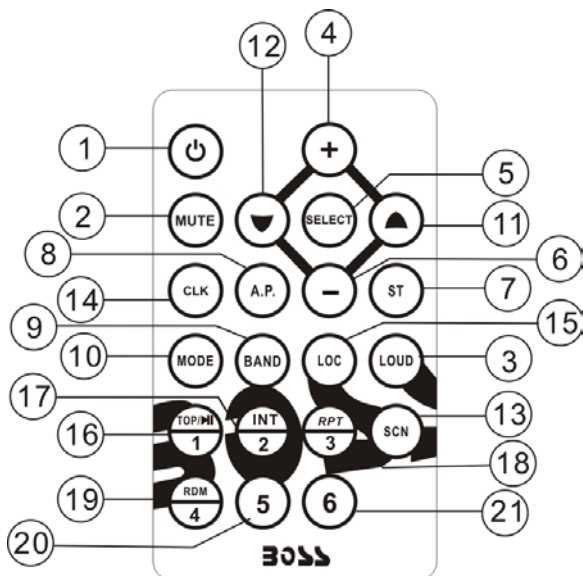
**Front Control Panel**



**Front Cabinet after removing Front Control Panel**

- |                          |                     |                      |
|--------------------------|---------------------|----------------------|
| 1. RELEASE button        | 9. 1/TOP/>   button | 16. USB socket       |
| 2. SEL & VOL knob        | 10. 2/INT button    | 17. APS button       |
| 3. POWER & MUTE button   | 11. 3/RPT button    | 18. IR Remote Sensor |
| 4. LCD                   | 12. 4/RDM button    | 19. Card slot        |
| 5&6. >>  And  << buttons | 13. 5 DIR- button   | 20. RESET            |
| 7. BAND button           | 14. 6 DIR+ button   | 21. FLASHING LED     |
| 8. MODE button           | 15. AUX IN jack     |                      |

## DESCRIPTION OF BUTTONS ON REMOTE CONTROL REMOTE CONTROL



REMOTE CONTROL

1. Power On/Off
2. Mute Button
3. Loudness Button
4. Level/MENU UP Button
5. SEL/MENU Button
6. Level/MENU Down Button
7. MO/ST Button
8. A.P Button
9. Band Button
10. Mode Button
11. Tune/Seek Up/  
Track Skip Up/FF Button
12. Tune/Seek Down/  
Track Skip Down/REW Button
13. SCAN BUTTON
14. Clock Display /Setting Button
15. LOC/DX Button
16. TOP/>||/Radio Preset 1
17. INT/Radio Preset 2
18. RPT/Radio Preset 3
19. RDM/Radio Preset 4
20. Radio Preset 5
21. Radio Preset 6

### Load/unloading battery of remote control

1. Please remove insulating sheet out of remote control before use.  
Pull out insulating sheet in the direction as per fig. 1.
2. When changing battery for remote control, first pull the movable block hold in the direction as indicated in Fig. 2 arrow A. Then pull the battery holder out from the remote control in the direction as indicated in Fig.2 arrow B.
3. Replace the old battery by a new battery with (+) polarity side upward. Then return the battery holder to the remote control by pressing the battery holder. Please see Fig.3.

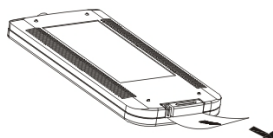


Fig.1

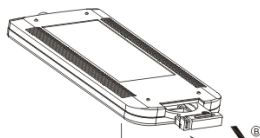


Fig.2

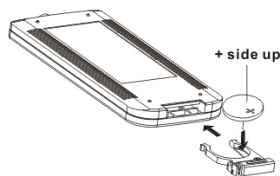


Fig.3

### Note about the battery of remote control:

1. Improper use of battery may cause overheating or explosion. Which may result in jury or fire .
2. Battery leakage may cause damage to the remote control(Battery Life: 6 months with normal use in normal room temperature).
3. Do not short the battery.
4. Do not throw the battery into the fire.
5. To avoid the risk of accident, keep the battery out of reach of children.

Common operation:

1. To turn the unit on/off .

When the unit is power Off, it may be switched On by pressing any button except RELEASE button.

When the unit is switched On, press and hold POWER button for more than 1 second, to switch the power off.

2. To select function mode

Press MODE button to change function mode as follows:

-->TUNER -->USB(after inserting USB stick)-->CARD(after inserting SD card)--> AUX-->

When there is no media (USB/CARD), that mode will be skipped.

3. To adjust the volume level

Rotate VOL knob or press + or - button on remote control to adjust volume level during playback.

4. To mute or resume sound

Press MUTE button to eliminate or resume sound immediately during playback.

To resume the sound immediately, you can rotate VOL knob.

5. To set sound mode and menu

1).To set sound mode:

Press SEL button shortly and repeatedly to select mode of VOL(volume), BASS (without preset DSP), TRE(treble)(without preset DSP), BAL(balance) and FAD (fader) in the sequence and circulation. In each mode, the waiting time is about 5 seconds, and when the waiting time is over, it will return to the last display mode. After selecting a sound mode, use volume control to set level of the selected sound mode.

2).To set menu:

Press SEL button and hold for more than 2 seconds to turn on BEEP ON/BEEP OFF, then press SEL button shortly and repeatedly to select USER SET (FLAT/CLASSIC/ROCK/POP), VOL LAST/VOL DEFA(AVOL) , AMERICA3/EUROPE(in RADIO mode), STEREO/MONO(in RADIO mode), LOUD OFF/LOUD ON, DX/LOCAL(in RADIO mode) CLK ON/CLK OFF,CLK 12/CLK 24,CL(Adjust the clock))mode. After selecting a desired item, use volume control to set.

3) BEEP ON/BEEP OFF

BEEP ON mode: The beep is generated when any key is pressed.

BEEP OFF mode: The beep sound is disabled.

4) VOL LAST/VOL DEFA

VOL LAST: The volume level when switching off will be restored with power On.

VOL DEFA: The volume level of the main unit after power on is a constant volume.

when selecting VOL DEFA item, press SEL button to display AVOL , then you can pre-set the constant volume level after power on with VOL control.

## 6. ID3 FUNCTION

In USB/CARD mode, during playback, if you press CLK button on remote control then the information of the songs title, artist, etc will display on the LCD. As long as the current playing music contains relevant ID3 tag information. Press again to cancel the ID3 function.

## 7. ST BUTTON

In FM mode, press the ST button briefly on remote control to select stereo or mono sound mode.

## 8. LOUD BUTTON

When press shortly, the LOUD mode is turned on, its to enhance the bass sound effect when the volume level is low. Press again to cancel the loudness effect.

## 9. LOC BUTTON

Radio station search mode is divided by this LOCAL/DX switch, this button can be used to control an attenuator in the tuner during search. The detecting level of seek, scan, auto-memory will be reduced as much as the attenuated level of the tuner. In radio mode, press the LOC button to change local reception or distance reception. (Note: This button is only for FM reception. In AM mode, LOC is void.)

## 10. To remove front control panel

Press RELEASE button to release front control panel from unit chassis, then you can remove it from unit chassis.

When front control panel is removed, the LED indicator on front cabinet flashes.

## 11. To reset unit

Before operating the unit for the first time, or after replacing the car battery or changing the connections. You must reset the unit.

(To reset the unit, remove the front control panel, then press RESET button and hold for more than 8 seconds with a cuspidal object.)

## **RADIO OPERATION:**

### 1. To select radio band

Press BAND button briefly and repeatedly to select a desired radio band in sequence and circulation as follows:

-->FM1-->FM2-->FM3-->AM1(MW1)-->AM2(MW2)-->

### 2. To search for radio station manually or automatically

Press >>| or |<< button briefly to manual tune up/down for your desired radio stations step by step.

Press and hold >>| or |<< button for 1 second, to automatically tune up/down for a radio station of strong signal.

You can also press SCN button on remote control to automatically tune up for a radio station of strong signal.

### 3. To store current station or turn on a preset one

1) Press one of the 6 number buttons and hold for more than 1 second to store the

current station in the preset memory bank of the number button for the current band.

In this way the unit can store 30 preset stations.

- 2) Press one of the 6 number buttons briefly to turn on the preset station stored in the preset memory bank of the number button for the current band.

Press APS button on the unit or A.P button on the remote control to preview the 6 preset stations stored in the preset memory bank.

4. To scan for each preset station or auto search for the strongest stations

When pressing and holding APS button on the unit or A.P button on the remote control for more than 1 second, the radio searches from the current frequency and checks the signal until the 6 strongest stations are found. And then the 6 strongest stations are preset to the strength level corresponding preset memory numbered bank. The auto-storage operation is implemented in the each selected band. When the auto-storage operation is finished, the radio executes Preset scan.

### **USB/Card OPERATION:**

1. To insert or pull out SD card or USB stick

When needing to playback SD or USB music, insert SD card or USB stick into SD slot or USB socket. Then the playing mode will be changed into SD or USB mode and display Card or USB on LCD (When SD card and USB stick are both inserted into their slot or socket, the playing mode will be changed into the mode of the latter one), and then play the first track of SD card or USB.

2. Press the >>| button briefly to play next track.

Press the |<< button briefly to play the current track from the beginning of it if the playing time is more than 4 seconds. Press the |<< button briefly to play the previous track if the playing time is less than 4 seconds.

3. To play fast forward or backward

Press and hold >>| or |<< button to play fast forward or backward.

4. To play previous or next 10th track or to play previous or next file

Press 5DIR- or 6DIR+ button to play previous or next 10th track.

Long press 5DIR- or 6DIR+ button to play previous or next file.

5. How to use 1/>|| button

During playback, press 1/>|| button to pause playback. When in pause mode, press 1/>||/TOP button to play again.

Press and hold 1/>||/TOP button to select the first track for playback.

6. To scan tracks

During playback, press INT button briefly to play the first 10 seconds of each track, press INT button again to cancel INT function and retain playing the track currently selected.

7. To repeat track(s)

During playback, press RPT button briefly to play the current track repeatedly, and the LCD will display RPT ONE.

Press RPT button twice to play the tracks in the Album repeatedly, and the LCD will display RPT DIR.

Press RPT button thrice to cancel RPT function, and the LCD will display OFF.

8. To play tracks in random

During playback, press RDM button briefly to play all tracks in random. Press it again to cancel RDM function.

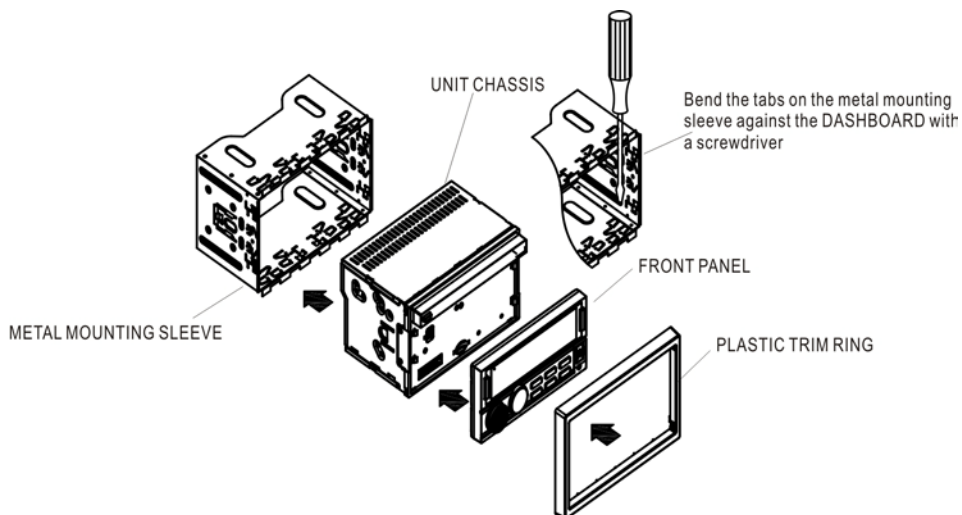
9. Tracks search

Press BAND button, it will activate TRACK SEARCH mode . The LCD will display TRK 0/00/000(deside on the total number of tracks in the SD card or USB stick) and flash the 0 on the biggest digit position. Then rotate VOL knob to select a number on the flashing digit position from 0 ~ 9. Then press SEL button to confirm the number and flash the 0 on next smaller digit position. With the same means, select the number on the flashing digit position with VOL knob. After finishing selecting the numbers on all digits position, press 1/PLAY button to play the track of the selected serial number.

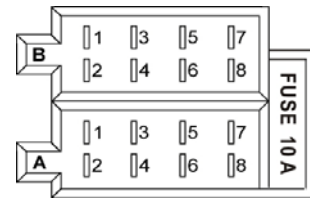
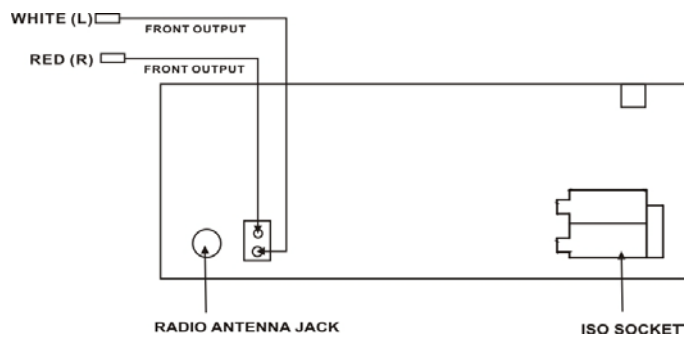
## INSTALLATION METHOD

This is an anti-theft installation method. The main unit wears a METAL MOUNTING SLEEVE.

Please connect the wiring, eg, the Power Supply, the Speakers and the Antenna according to the requirements of this Instruction Manual, then install the metal mounting sleeve into the car as per the diagram illustrated below.



## WIRES CONNECTION



ISO SOCKET SKETCH

### CONNECTOR A

- 1.
- 2.
- 3.
4. MEMORY +12V
5. AUTO ANTENNA B+
- 6.
7. POWER B+
8. GROUND

### CONNECTOR B

1. VIOLET R.R SP(+)
2. VIOLET BLACK R.R SP(-)
3. GREY F.R SP(+)
4. GREY BLACK F.R SP(-)
5. WHITE F.L SP(+)
6. WHITE BLACK F.L SP(-)
7. GREEN R.L SP(+)
8. GREEN BLACK R.L SP(-)

## SPECIFICATION

### GENERAL

|                     |                                 |
|---------------------|---------------------------------|
| Supply Voltage      | DC 12V. Negative Ground         |
| Current Consumption | Max.10A                         |
| Power Output        | 4 x 60 W                        |
| Number of channels  | 2 STEREO channels.              |
| Unit Dimensions     | (L X W X H): 7" X 3.93" X 4.13" |

### FM SECTION

|                       |   |
|-----------------------|---|
| Frequency range       | 87.5Mhz - 107.9Mhz (U.S.A.)<br>87.5 Mhz - 108Mhz (Europe) |
| Effective sensitivity | 3uV.  |
| I.F Frequency         | 10.7MHz.  |

### AM SECTION

|                       |   |
|-----------------------|---|
| Frequency range       | 530khz - 1710Khz (U.S.A)<br>522khz - 1620Khz (Europe) |
| Effective sensitivity | 40dB.   |
| I.F Frequency         | 450KHz  |

|               |            |
|---------------|------------|
| Preamp Output | 1 V Output |
|---------------|------------|

### SD or USB PLAYBACK

|                            |   |
|----------------------------|---|
| System                     | MP3 audio system.                       |
| Frequency characteristics  | 20Hz -100Hz <=5dB<br>10KHz-20KHz <=5dB. |
| Signal to noise (SD & USB) | 50dB [1KHz] .                           |