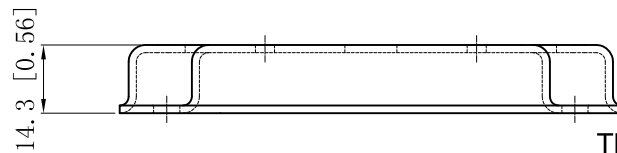
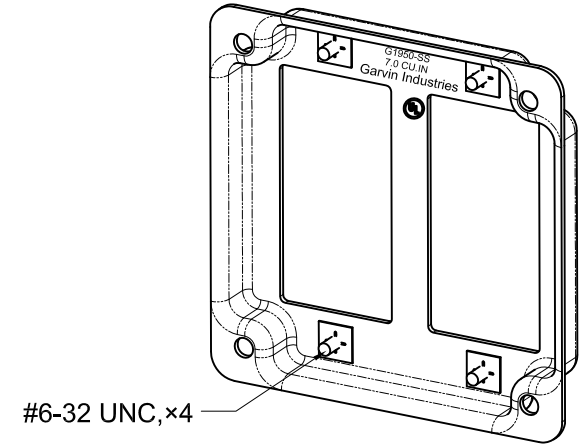
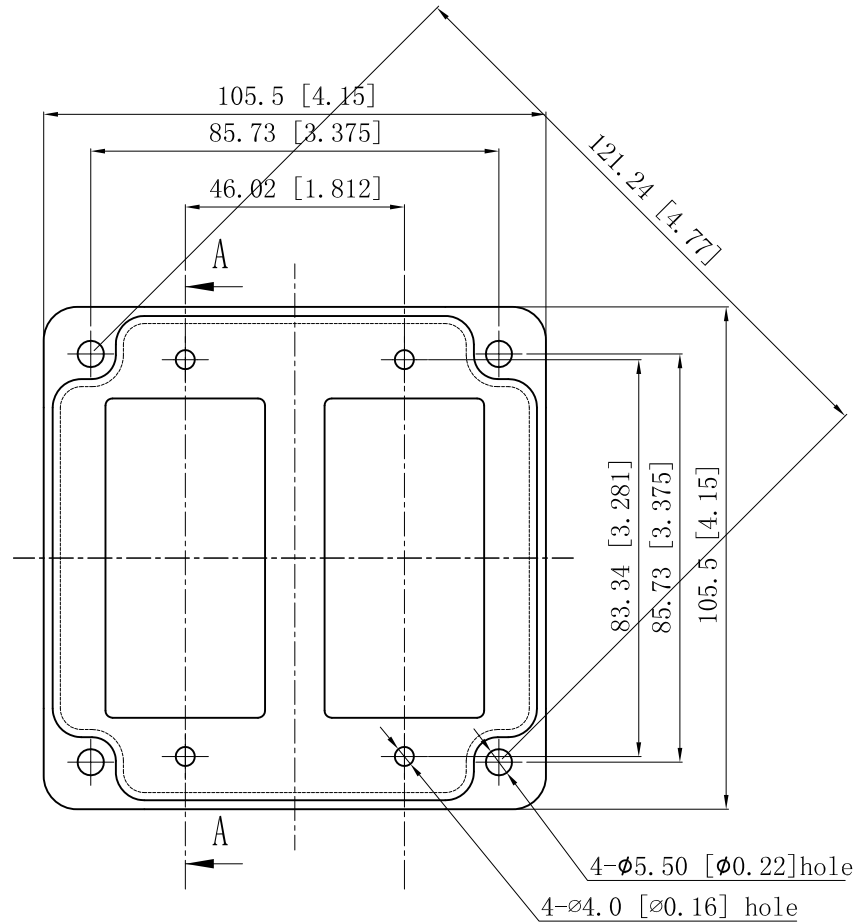


SIDES	BOTTOM
4 Pcs 6-32×5/16 screws Pack In Poly-bag Separately	
4 Pcs 6-32 Nut Pack In Poly-bag Separately	
Material:0.051~0.059"-STAINLESS STEEL 316	



VIEW A



This data sheet is for reference only .GARVIN INDUSTRIES reserves the right to make changes to the design without prior notice.

DESCRIPTION
TRADE REFERENCE TERMS

STANDARD PACKING
50 PCS

<b>GARVIN INDUSTRIES</b>			
TITLE 4" SQUARE INDUSTRIAL "GARVIN" COVERS			
SIZE A4	DWG NO.	G1950-SS	REV A
DATA SHEET			
www.garvinindustries.com			