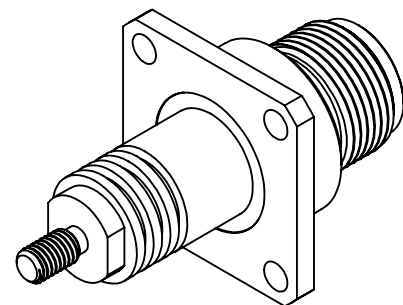
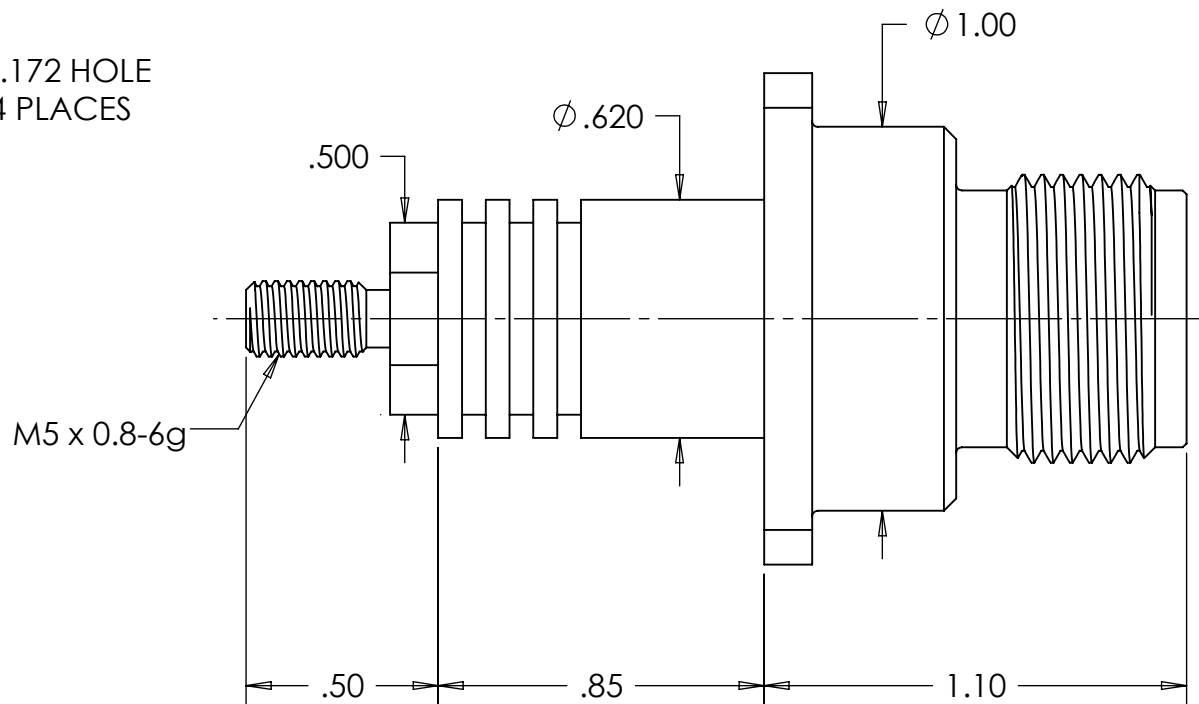
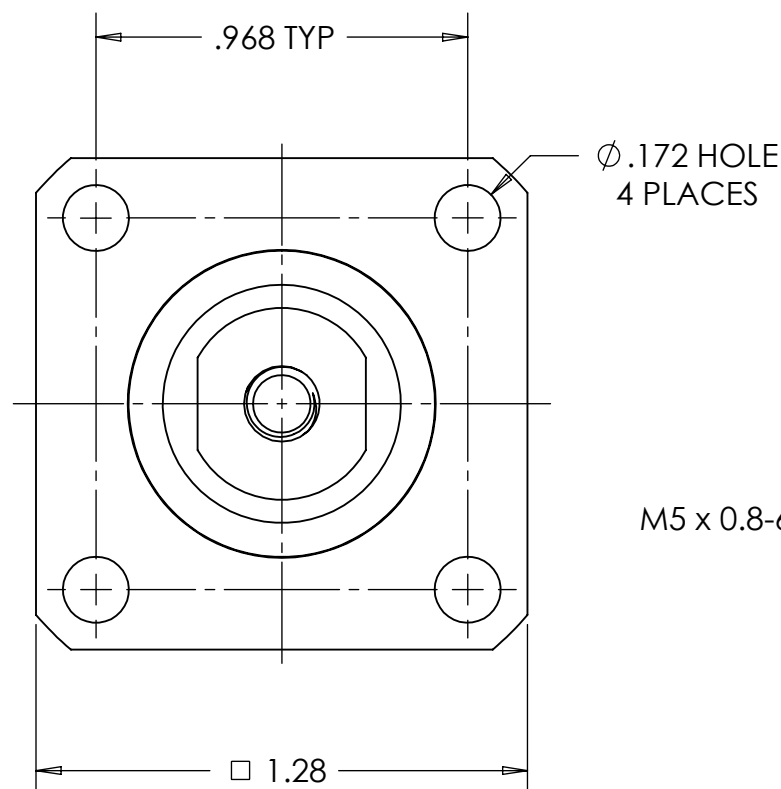


This document, including the design, configuration and mechanical features revealed herein are the sole, confidential and proprietary property of TRU Corporation. Reproduction or use thereof, in whole or part, is prohibited without the prior written consent of TRU Corporation.

REV.	DESCRIPTION	DATE	APPROVED
-	ORIGINAL ISSUE	08/06/12	TRC



ISOMETRIC VIEW
SCALE 1:1



ENGINEERING DATA:

ELECTRICAL:
IMPEDANCE: 50 OHMS NOMINAL


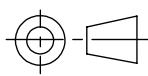
MECHANICAL:
INTERFACE: HN(f) PER MIL-STD-348A, FIG. 317.2

MATERIAL:
INSULATOR: PTFE (TEFLON) PER ASTM-D1710, 11A
CONTACT: BERYLLIUM COPPER C17300, TD04 (H) PER ASTM-B196
BODY: BRASS C36000, H02 PER ASTM-B16

FINISH:
CONTACTS: SILVER PLATED
BODY: NICKEL PLATED

NOTES:
1. UNLESS OTHERWISE SPECIFIED; ALL DIMENSIONS ARE REFERENCE ONLY.

2. PRODUCT COMPLIES WITH ROHS DIRECTIVE 2002/95/EC.

MATERIAL	DO NOT SCALE DRAWING	DRAWN TRC	DATE 08/01/12	 TRU Corporation 245 Lynnfield St, Peabody, MA 01960 <small>EXPERIENCE. TRU INNOVATION.</small>		
	UNLESS OTHERWISE SPECIFIED: DIMENSIONS ARE IN INCHES	ENG APPR. TRC	DATE 08/06/12			
COMMENTS:	TOLERANCES: FRACTIONS: $\pm 1/64$.XX : $\pm .01$.XXX: $\pm .005$ ANGLES: $\pm 1/2^\circ$ MACHINED SURFACES: $63/\checkmark$	MFG APPR.	DATE	TITLE: CONNECTOR, COAXIAL, RF HN(f) RECEPTACLE, PANEL		
		OTHER APPR. AM	DATE 08/02/12			
surface area: sq inch	weight: lbs	THIRD ANGLE PROJECTION 		SIZE B	DWG. NO. TRU-12072	REV -
		CAGE CODE: 92180		SCALE: 2:1	SHEET 1 OF 1	